

# DN8690

4-circuit Darlington Driver Array (High Breakdown Voltage : 60V, Large Drive Current : 1.5A)

## Overview

The DN8690 is a 4-circuit non-inverting type driver array composed of PNP transistors and 1.5A NPN Darlington transistors.

## Features

- 4 circuits
- High breakdown voltage :  $V_{CE(SUS)} = 60V$  (min)
- Large output current :  $I_O = 1.5A$  (max)
- Built-in output clamp diode :  $V_R = 60V$ (min)  
 $I_F = 1.5A$ (max)
- Low active input
- Directly connectable to the 5V TTL/CMOS

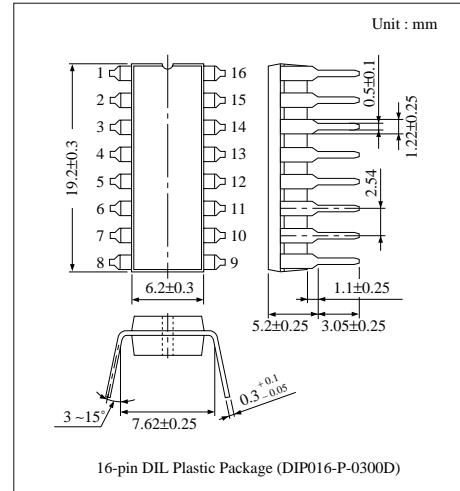
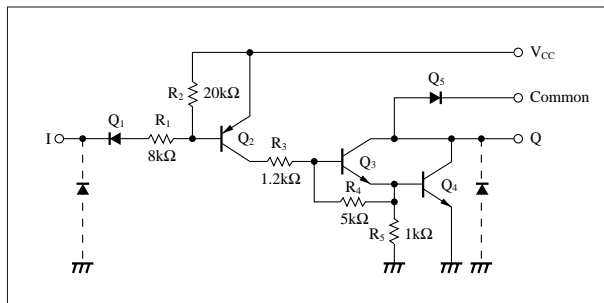
## Applications

- Driving of the printer motors, etc.
- Driving of the LEDs, lamps, and various relays

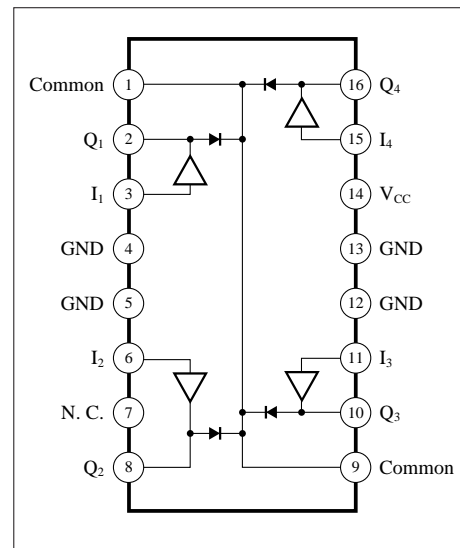
## Function Table

Input ( $I_n$ )	Output ( $Q_n$ )
L	L
H	H
OPEN	H

## Schematic Circuit (1 Circuit)



## Block Diagram



## Pin Descriptions

Symbol	Pin name
Common	Clamp diode pin
$Q_1$ to $Q_4$	Output pin
$I_1$ to $I_4$	Input pin
GND	Ground pin
$V_{CC}$	Power pin
NC	No connection

### ■ Absolute Maximum Ratings (Ta = 25°C)

Parameter	Symbol	Rating	Unit
Supply voltage	V <sub>CC</sub>	7.0	V
Output breakdown	V <sub>CE(sus)</sub>	60	V
Output current	I <sub>O</sub>	1.5	A
Input voltage	V <sub>I</sub>	0 to 30	V
Clamp diode breakdown	V <sub>R</sub>	60	V
Clamp diode forward current	I <sub>F</sub>	1.5	A
Power dissipation	P <sub>D</sub>	2.0	W
Operating ambient temperature	T <sub>opr</sub>	- 20 to + 75	°C
Storage temperature	T <sub>stg</sub>	- 55 to + 150	°C

### ■ Electrical Characteristics (V<sub>CC</sub>= 5V, Ta= 25°C)

Parameter	Symbol	Condition	min	typ	max	Unit
Input voltage	V <sub>IH</sub>	V <sub>CC</sub> = 3.5 to 7V	V <sub>CC</sub> - 0.3	—	30	V
	V <sub>IL</sub>	V <sub>CC</sub> = 3.5 to 7V	0	—	V <sub>CC</sub> - 2.6	V
Output saturation voltage	V <sub>CE(sat) 1</sub>	V <sub>I</sub> = 0V, I <sub>O</sub> = 0.5A	—	—	1.2	V
	V <sub>CE(sat) 2</sub>	V <sub>I</sub> = 0V, I <sub>O</sub> = 1A	—	—	1.5	V
	V <sub>CE(sat) 3</sub>	V <sub>I</sub> = 0V, I <sub>O</sub> = 1.5A	—	—	2.0	V
Input current	I <sub>I</sub>	V <sub>CC</sub> = 7V, V <sub>I</sub> = 0V	—	—	1.0	mA
Output breakdown	V <sub>CE(sus)</sub>	I <sub>O</sub> = 100μA	60	—	—	V
Supply current	I <sub>CCH</sub>	V <sub>CC</sub> = 7V, Total V <sub>I</sub> = 7V	—	—	50	μA
	I <sub>CCL</sub>	V <sub>CC</sub> = 7V, V <sub>I</sub> = 0V (1 circuit)	—	—	8.0	mA
Clamp diode forward voltage	V <sub>F</sub>	I <sub>F</sub> = 1.5A	—	—	3.0	V
Clamp diode reverse current	I <sub>R</sub>	V <sub>R</sub> = 60V, V <sub>O</sub> = 0V	—	—	30	μA
Propagation delay time	t <sub>PHL</sub>	V <sub>M</sub> = 60V, R <sub>I</sub> = 50Ω	—	0.2	—	μs
	t <sub>PLH</sub>	V <sub>CC</sub> = 5V, C <sub>I</sub> = 15pF	—	5.0	—	μs