

AN6472NFBP

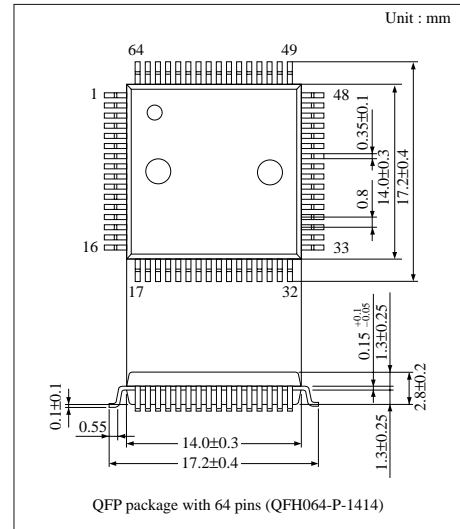
Cordless Telephone Speech Network IC Incorporating Cross-Point Switch

■ Overview

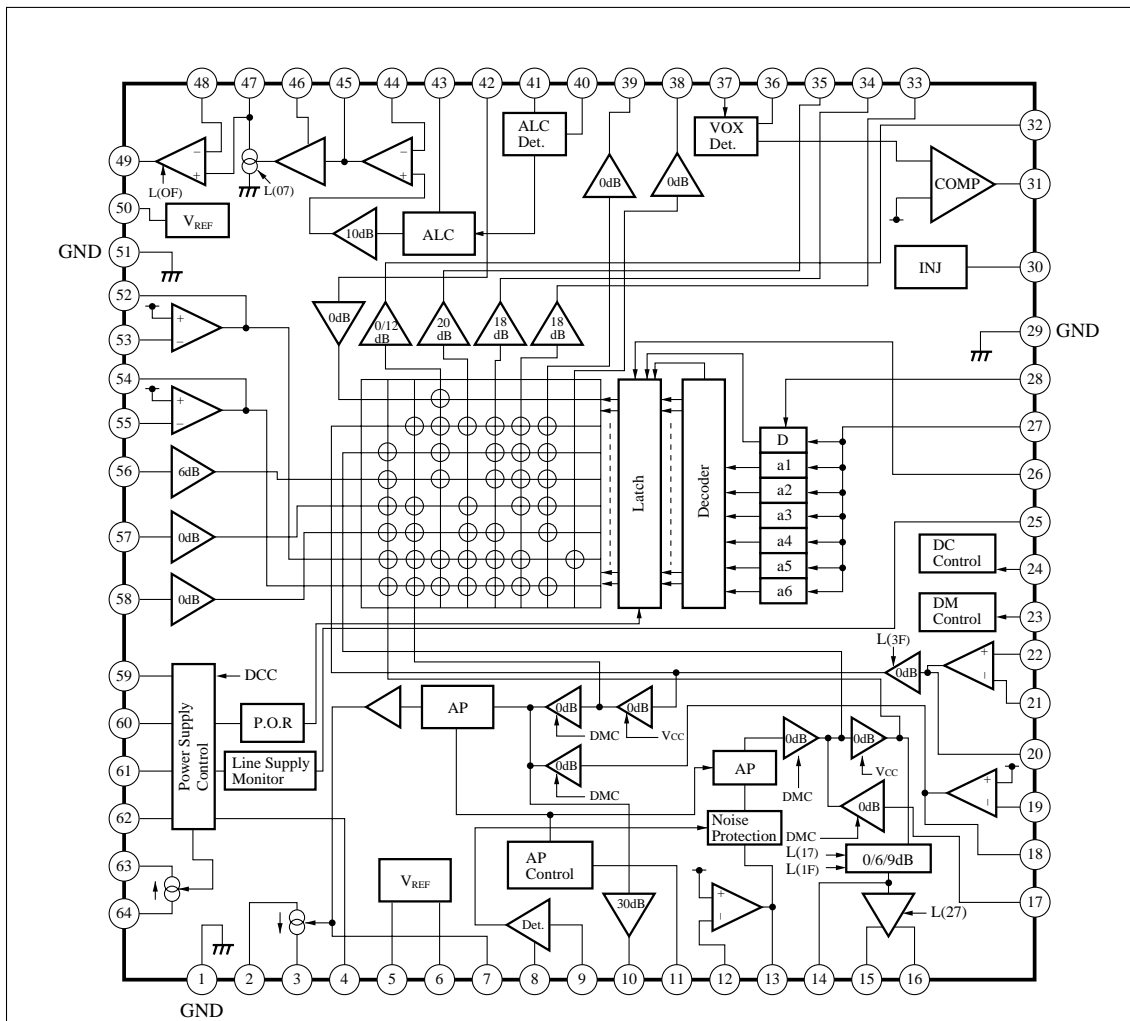
The AN6472NFBP is a speech network IC which includes a receiver noise reducing function and is most suitable for quality cordless telephones. It incorporates a cross-point switch controlled by serial input. It allows speech path switching and mixing, and provides for three- or four-person communication and other sophisticated functions. It also incorporates REC/PLAY amplifiers with VOX circuits.

■ Features

- The speech block can operate on line voltage, with no external power supply, and is operational even during a commercial power failure.
- Incorporates a receiver noise reducing function to improve the handset's howling margin.
- Incorporates auto. PAD, dial mute, DC voltage regulation, and other basic speech functions.
- The cross-point switch can be operated independently.
- Each output of the cross-point switch can correspond to multiple inputs, allowing three- or four-person communication.
- The REC/PLAY amplifiers incorporate ALC and VOX circuits.
- Receiver volume can be increased by 6 dB or 9 dB.



■ Block Diagram



■ Pin Descriptions

Pin No.	Description	Pin No.	Description
1	Ground	33	RF2 link output
2	Line power (+) input	34	RF1 link output
3	Side-tone adjustment	35	Intercom link output
4	Line voltage control (1)	36	VOX detection control
5	Int. ref. voltage output (2)	37	VOX amp. input
6	Int. ref. voltage output (1)	38	Time stamp link output
7	Trans. preamp. output	39	Recording link output
8	Noise reduction detection output	40	ALC input
9	Noise reduction detection input	41	ALC detection control
10	Noise reduction amp. output	42	Loudspeaker link input
11	Auto. PAD control	43	Recording input
12	Rec. preamp. input	44	Recording inverse input
13	Rec. preamp. output	45	Recording preamp. output
14	Rec. amp. input	46	Recording bias current control
15	Rec. amp. output (1)	47	To recording head
16	Rec. amp. output (2)	48	EQ amp. inverse input
17	BT signal input	49	EQ amp. output
18	DTMF preamp. output	50	REC/PLAY int. ref. voltage output
19	DTMF signal input	51	Ground
20	MIC preamp. output	52	MIX preamp. output
21	MIC preamp. input (1)	53	MIX link input
22	MIC preamp. input (2)	54	AUX preamp. output
23	Dial mute control	55	AUX link input
24	Line voltage control	56	Intercom link input
25	Line interruption detector output	57	RF1 link input
26	Strobe signal input	58	RF2 link input
27	Clock signal input	59	Power-ON reset control
28	Data input	60	External supply voltage input
29	Ground	61	Internal supply voltage output
30	Logic power supply input	62	Circuit voltage control (2)
31	VOX detector output	63	Line current bypass (2)
32	SP link output	64	Line current bypass (1)

■ Absolute Maximum Ratings (Ta=25°C)

Parameter	Symbol	Rating	Unit
Supply voltage (1)	V _{CC}	7.0	V
Supply current (1)	I _{CC}	50	mA
Supply voltage (2)	V _L	12.0	V
Supply current (2)	I _L	135	mA
Power dissipation*1	P _D	640	mW
Operating ambient temperature	T _{opr}	-20 to+75	°C
Storage temperature	T _{stg}	-55 to+150	°C

*1 In a free-air condition with Ta=75°C

■ Recommended Operating Range

Parameter	Symbol	Range
Operating supply voltage range (1)	V_{CC}	4.5V to 5.5V
Operating supply voltage range (2)	V_L	3.0V to 11.0V

■ Recommended Operating Conditions ($T_a = 20$ to $+75^\circ\text{C}$)

Parameter	Symbol	Condition	min	typ	max	Unit	
Supply voltage	V_{CC}		4.5	5	5.5	V	
Clock frequency	f_{CLK}	Input Duty 40% to 50%	—	—	250	kHz	
Input pulse width	CLK	t_w		1.6	—	—	μs
	STB			1.2	—	—	μs
Setup time	DATA	t_{su}		1.6	—	—	μs
	STB			0.8	—	—	μs
Hold time	DATA	t_h		1.6	—	—	μs
	STB			1.2	—	—	μs
Input pulse width (high)	t_{wh}		0.8	—	—	μs	
Input pulse width (low)	t_{wl}		0.8	—	—	μs	
Clock pulse rise time	t_r		—	—	20	μs	
Clock pulse fall time	t_f		—	—	20	μs	
Input voltage	V_i		0	—	V_{CC}	V	

■ Electrical Characteristics ($T_a = 25 \pm 2^\circ\text{C}$)

Parameter	Symbol	Condition	min	typ	max	Unit
Power Supply Characteristics During Power Failure						
Line DC voltage (I-1)	V_{L-11}	V-DCC=HIGH, $I_L=20\text{mA}$, $V_{CC}=0\text{V}$	3.2	3.5	3.8	V
Line DC voltage (I-2)	V_{L-12}	V-DCC=HIGH, $I_L=60\text{mA}$, $V_{CC}=0\text{V}$	4.5	4.8	5.2	V
Line DC voltage (I-3)	V_{L-13}	V-DCC=HIGH, $I_L=120\text{mA}$, $V_{CC}=0\text{V}$	6.6	7.0	7.5	V
Line DC voltage H (I-1)	V_{LH-11}	V-DCC= LOW, $I_L=30\text{mA}$, $V_{CC}=0\text{V}$	4.5	5.0	5.5	V
Line DC voltage H (I-2)	V_{LH-12}	V-DCC= LOW, $I_L=60\text{mA}$, $V_{CC}=0\text{V}$	5.7	6.2	6.7	V
Line DC voltage H (I-3)	V_{LH-13}	V-DCC= LOW, $I_L=120\text{mA}$, $V_{CC}=0\text{V}$	7.9	8.5	9.2	V
Internal supply voltage (I)	V_{reg-I}	V-DCC=HIGH, $I_L=20\text{mA}$, $V_{CC}=0\text{V}$	1.8	2.0	2.2	V
Internal ref. supply voltage (I)	V_{ref-I}	V-DCC=HIGH, $I_L=20\text{mA}$, $V_{CC}=0\text{V}$	0.9	1.0	1.1	V
Normal power supply characteristics						
Line DC voltage (E-1)	V_{L-E1}	V-DCC=HIGH, $I_L=20\text{mA}$, $V_{CC}=5\text{V}$	3.1	3.4	3.8	V
Line DC voltage (E-2)	V_{L-E2}	V-DCC=HIGH, $I_L=20\text{mA}$, $V_{CC}=5\text{V}$	4.3	4.7	5.1	V
Line DC voltage (E-3)	V_{L-E3}	V-DCC=HIGH, $I_L=20\text{mA}$, $V_{CC}=5\text{V}$	6.3	6.8	7.3	V
Line DC voltage H (E-1)	V_{LH-E1}	V-DCC=HIGH, $I_L=20\text{mA}$, $V_{CC}=5\text{V}$	4.3	4.85	5.4	V

■ Electrical Characteristics (cont.) (Ta=25±2°C)

Parameter	Symbol	Condition	min	typ	max	Unit
Line DC voltage H (E-2)	V _{LH-E2}	V-DCC=LOW, I _L =60mA, V _{CC} =5V	5.3	5.95	6.6	V
Line DC voltage H (E-3)	V _{LH-E3}	V-DCC=LOW, I _L =120mA, V _{CC} =5V	7.55	8.2	8.9	V
Internal supply voltage (E)	V _{reg-E}	V-DCC=HIGH, I _L =20mA, V _{CC} =5V	4.6	4.85	5.0	V
Internal ref. supply voltage (E)	V _{ref-E}	V-DCC=HIGH, I _L =20mA, V _{CC} =5V	2.25	2.5	2.7	V
Total circuit current	I _{total}	V-DCC=HIGH, I _L =20mA, V _{CC} =5V	17	27	35	mA
Power interruption detection (1)	V _{-HIT1}	V _L =2.7V, V _{CC} =5V	0	0.1	0.6	V
Power interruption detection (2)	V _{-HIT2}	V _L =1.5V, V _{CC} =5V	4.4	4.95	5	V

Receiver During Power Failure

Rec. gain (I-1)	G _{V-IR1}	I _L =30mA, V _{CC} =0V V _{in} = -42dBm	30.5	32.5	34.5	dB
Rec. gain (I-2)	G _{V-IR2}	I _L =80mA, V _{CC} =0V V _{in} = -42dBm	27	29	31	dB
Rec. auto. PAD width (I)*1	A _{P-IR}	I _L =30mA-80mA, V _{CC} =0V, V _{in} = -42dBm	2.5	3.5	5	dB
Rec. max. output (I)	V _{O-IR}	With I _L =30mA, V _{CC} =0V, and THD=5%	0	4	—	dBm
Rec. noise reduction (I)	N _{L-IR}	I _L =30mA, V _{CC} =0V, V _{in} = -42dBm V _{in-M} = -65/-50dBm	4	6	8	dB
BT amp. gain (I)	G _{V-IBT}	I _L =30mA, V _{CC} =0V, V-DMC=LOW, V _{in} = -30dBm	19	21	23	dB

Receiver On External Power Supply

Rec. gain (E-1)	G _{V-ER1}	I _L =30mA, V _{CC} =5V V _{in} = -42dBm	30.5	32.5	34.5	dB
Rec. gain (E-2)	G _{V-ER2}	I _L =30mA, V _{CC} =5V V _{in} = -42dBm	26.8	28.8	30.8	dB
Rec. auto. PAD width (E)*1	A _{P-ER}	I _L =30mA-80mA, V _{CC} =5V V _{in} = -42dBm	2.5	3.7	5	dB
Rec. max. output (E)	V _{O-ER}	With I _L =30mA, V _{CC} =5V, and THD=5%	4	12	—	dBm
Rec. noise reduction (E)	N _{L-ER}	I _L =30mA, V _{CC} =5V, V _{in} = -42dBm V _{in-M} = -65/-65dBm	6	8	10	dB
Rec. digital volume (1)*2	G _{V-DV1}	I _L =30mA, V _{CC} =5V, V _{in} = -42dBm, DV-1 ON	5	6	7	dB
Rec. digital volume (2)*2	G _{V-DV2}	I _L =30mA, V _{CC} =5V, V _{in} = -42dBm, DV-2 ON	7.5	9	10.5	dB
BT amp. gain (E)	G _{V-EBT}	I _L =30mA, V _{CC} =5V, V-DMC=LOW, V _{in} = -30dBm	19.5	21.5	23.5	dB
Rec. gain difference	DG-R	For V _{CC} =0V and 5V(between G _{V-IR1} and G _{V-ER1})	-1.2	-0.1	1.2	dB

Transmitter Amp. During Power Failure

Trans. gain (I-1)	G _{V-IM1}	R=27Ω(Pin3), I _L =30mA, V _{CC} =0V, V _{in} = -38dBm	28.2	30.2	32.2	dB
Trans. gain (I-2)	G _{V-IM2}	I _L =80mA, V _{CC} =0V, V _{in} = -38dBm	24.4	26.4	28.4	dB
Trans. auto. PAD width (I)*1	A _{P-IM}	I _L =30mA-80mA, V _{CC} =0V, V _{in} = -38dBm	2.5	3.8	5	dB

Note) Unless otherwise specified, input signal Fin=1kHz, control voltage V-DOC = high, and control voltage V-DMC = high.

*1 Gain decrease when line current I_L is changed from 30 to 80 mA. If pin 11 (auto. PAD control) is connected to pin 61 (int. supply voltage output), the gain will not change.

*2 Gain increase from receiver gain (E-1).

■ Electrical Characteristics (cont.) (Ta=25±2°C)

Parameter	Symbol	Condition	min	typ	max	Unit
Trans. max. output (I-1)	V _{O-IM1}	With I _L =30mA, V _{CC} =0V and HD=5%	0	3.5	—	dBm
Trans. max. output (I-2)	V _{O-IM2}	With I _L =30mA, V _{CC} =0V, THD=5% and V-DCC=LOW	0	3.5	—	dBm
DTMF gain (I-1)	G _{V-ID1}	I _L =30mA, V _{CC} =0V, V-DMC=LOW, V _{in} =-30dBm	17.5	19.5	21.5	dB
DTMF gain (I-2)	G _{V-ID2}	I _L =80mA, V _{CC} =0V, V-DMC=LOW, V _{in} =-30dBm	13.7	15.7	17.7	dB
DTMF auto. PAD width (I)*1	A _{P-IDT}	I _L =30mA-80mA, V _{CC} =0V, V-DMC=LOW, V _{in} =-30dBm	2.5	3.8	5	dB
DTMF max. output (I-1)	V _{O-ID1}	I _L =30mA, V _{CC} =0V, V-DMC=LOW, THD=5%	0	3.8	—	dBm
DTMF max. output (I-2)	V _{O-ID2}	I _L =30mA, V _{CC} =0V, THD=5%, V-DMC=LOW, V-DCC=LOW	0	3.5	—	dBm
Transmitter Amp. On External Power Supply						
Trans. gain (E-1)	G _{V-EM1}	I _L =30mA, V _{CC} =0V, V _{in} =-38dBm	28.6	30.6	32.6	dB
Trans. gain (E-2)	G _{V-EM2}	I _L =80mA, V _{CC} =5V, V _{in} =-38dBm	25.0	27.0	29.0	dB
Trans. auto. PAD width (E)*1	A _{P-EM}	I _L =30mA-80mA, V _{CC} =5V, V _{in} =-38dBm	2.5	4	5	dB
Trans. max. output (E-1)	V _{O-EM1}	With I _L =30mA, V _{CC} =5V and THD=5%	2	6	—	dBm
Trans. max. output (E-2)	V _{O-EM2}	I _L =30mA, V _{CC} =5V, THD=5%, V-DCC=LOW	2	6	—	dBm
DTMF gain (E-1)	G _{V-ED1}	I _L =30mA, V _{CC} =5V, DM=ON, V _{in} =-30dBm	18.1	20.1	22.1	dB
DTMF gain (E-2)	G _{V-ED2}	I _L =80mA, V _{CC} =5V, V-DMC=LOW, V _{in} =-30dBm	14.5	16.5	18.5	dB
DTMF auto. PAD width (E)*1	A _{P-EDT}	I _L =30mA-80mA, V _{CC} =5V, V-DMC=LOW, V _{in} =-30dBm	2.5	4.1	5.5	dB
DTMF max. output (E-1)	V _{O-ED1}	I _L =30mA, V _{CC} =5V, V-DMC=LOW, THD=5%	2	6	—	dBm
DTMF max. output (E-2)	V _{O-ED2}	I _L =30mA, V _{CC} =5V, DM=ON, V-DMC=LOW, THD=5%	2	6	—	dBm
Trans. gain difference	DG-M	For V _{CC} =0V and V _{CC} =5V (between G _{v-IM1} and G _{v-EM1})	-1.8	-0.8	0.7	dB
DTMF gain difference	DG-MF	For V _{CC} =0V and 5V (between G _{v-ID1} and G _{v-ED1})	-2.3	-1.3	0.2	dB

Note) Unless otherwise specified, input signal Fin=1 kHz, control voltage V-DOC=high, and control voltage V-DMC=high.

*1 Gain decrease when line current I_L is changed from 30 to 80 mA. If pin 11 (auto. PAD control) is connected to pin 61(int. supply voltage output), the gain will not change.

■ Electrical Characteristics (cont.) (Ta=25±2°C)

Parameter	Symbol	Condition	min	typ	max	Unit
Recording Preamplifiers						
Rec. preamp. gain	G_{V-RP}	$V_{in} = -60\text{dBm}$, $R_{in} = 0\Omega$	43	45	47	dB
Rec. preamp. output	V_{O-RP}	$V_{in} = -45\text{dBm}$, $R_{in} = 10\Omega$	-13.4	-11.4	-9.4	dBm
Rec. preamp. output noise voltage*1	V_{no-RP}	DIN/AUDIO, $R_g = 10\text{k}\Omega$	—	0.8	2.5	mVrms
Recording Amplifier						
Head bias current	I_{-REC}	L-SW (h07) = ON	145	180	215	μA
Head output	G_{V-REC}	L-SW (h07) = ON, $V_{in} = -15\text{dBm}$, $R_L = 1\text{k}\Omega$	40.0	50.0	63.0	mVrms
Playing EQ Amplifier						
EQ amp. gain	G_{V-EQ}	L-SW (h07) = ON, $V_{in} = -40\text{dBm}$	27.8	29.8	31.8	dB
EQ amp. output noise voltage	V_{no-EQ}	L-SW (h07) = ON, DIN/AUDIO, $R_L = 1\text{k}\Omega$	—	0.45	1.2	mVrms
VOX Detector						
VOX sensitivity (1)	VS1	I-VOX = 12.5 μA	3.5	4.8	—	V
VOX sensitivity (2)	VS2	I-VOX = 24.5 μA	—	0.025	0.5	V
Link SW Input Amplifier						
MIX amp. gain	G_{V-MIX}	$V_{in} = -36\text{dBm}$	5	6	7	dB
AUX amp. gain	G_{V-AUX}	$V_{in} = -36\text{dBm}$	5	6	7	dB
Link SW Output Amplifier						
SP output gain (1)*1	G_{V-SPO1}	Input AUX IN, $V_{in} = -36\text{dBm}$, L-SW (h3A) = ON	11	12	13	dB
SP output gain (2)*1	G_{V-SPO2}	Input AUX IN, $V_{in} = -36\text{dBm}$, L-SW (h3A&h2F) = ON	-1.5	-0.5	0.5	dB
Intercom output gain*1	G_{V-DHO}	Input AUX IN, $V_{in} = -36\text{dBm}$, L-SW (h3B) = ON	18.5	20	21.5	dB
RF1 output gain*1	G_{V-RF10}	Input AUX IN, $V_{in} = -36\text{dBm}$, L-SW (h3C) = ON	16.5	18	19.5	dB
RF2 output gain*1	G_{V-RF20}	Input AUX IN, $V_{in} = -36\text{dBm}$, L-SW (h3D) = ON Ω	16.5	18	19.5	dB
Recording output gain*1	G_{V-RECO}	Input AUX IN, $V_{in} = -36\text{dBm}$, L-SW (h3E) = ON	-1.0	0	1.0	dB
Recording output gain*1	G_{V-RO}	Input AUX IN, $V_{in} = -36\text{dBm}$, L-SW (h38) = ON	19.9	21.4	22.9	dB
Line output gain*1	G_{V-TO}	Input AUX IN, $V_{in} = -36\text{dBm}$, L-SW (h39) = ON	17.7	19.2	20.7	dB
Rec. output gain difference*2	GD_{-RO}	Input AUX IN, $V_{in} = -36\text{dBm}$, L-SW (h30) = ON	-1.0	0	1.0	dB
Time stamp output gain*1	G_{V-TSO}	Input AUX IN, $V_{in} = -36\text{dBm}$, L-SW (h37) = ON	-1.0	0	1.0	dB

Note) Unless otherwise specified, external supply voltage $V_{CC} = 5\text{V}$, line current $I_L = 0\text{mA}$, input signal frequency = 1 kHz, control voltage V-DOC = high, and control voltage V-DMC = high.

*1 Each amp. gain is measured from AUX OUT or MIX OUT to its output (the AUX or MIX preamp. gain is not included in the calculation).

*2 The difference from the receiver output gain (G_{V-RO}).

■ Electrical Characteristics (cont.) (Ta=25±2°C)

Parameter	Symbol	Condition	min	typ	max	Unit
Link SW Input						
MIC input gain*1	G_{v-MI}	$V_{in} = -38\text{dBm}$, rec. output L-SW(h0E)= ON	-1	0	1	dB
Rec. input gain*1	G_{v-RI}	$V_{in} = -42\text{dBm}$, rec. output L-SW (h16)= ON	-1	0	1	dB
Intercom input gain	G_{v-DHI}	$V_{in} = -30\text{dBm}$, rec. output L-SW (h1E)= ON	5	6	7	dB
RF1 input gain	G_{v-RF1I}	$V_{in} = -30\text{dBm}$, rec. output L-SW (h26)= ON	-1	0	1	dB
RF2 input gain	G_{v-RF2I}	$V_{in} = -30\text{dBm}$, rec. output L-SW (h2E)= ON	-1	0	1	dB
SP link input gain	G_{v-SPI}	$V_{in} = -30\text{dBm}$, SP rec. output L-SW (h02)= ON	11	12	13	dB
Link Maximum Output						
SP OUT max. output	V_{o-SP}	Input L-SP IN, THD=5% L-SW (h02)= ON	0	4	—	dBm
DH OUT max. output	V_{o-DH}	Input RF1 IN, THD=5% L-SW (h23)= ON	0	4	—	dBm
RF1 OUT max. output	V_{o-RF1}	Input RF2 IN, THD=5% L-SW (h25)= ON	0	4	—	dBm
RF2 OUT max. output	V_{o-RF2}	Input RF1 IN, THD=5% L-SW (h2C)= ON	0	4	—	dBm
L-REC OUT max. output	V_{o-LR}	Input AUX IN, THD=5% L-SW (h3E)= ON	0	4	—	dBm

Note) Unless otherwise specified, external supply voltage $V_{CC}=5\text{V}$, line current $I_L=0\text{mA}$, input signal frequency=1 kHz, control voltage V-DOC= high, and control voltage V-DMC= high.

*1 Each amp. gain is measured from MIC OUT or R PRE OUT to its output.

■ Electrical Characteristics (cont.) (Ta=25±2°C)

Parameter	Symbol	Condition	min	typ	max	Unit
Controls						
Dial mute high level voltage	V_{DMC-H}		2	—	$V_{CC} + 0.2$	V
Dial mute high level control current	I_{DMC-H}	V- DMC = 5V	15	38	80	μA
Dial mute low level voltage	V_{DMC-L}		-0.2	—	0.3	V
Dial mute low level control current	I_{DMC-L}	V- DMC = 0V	-40	-20	-10	μA
DC voltage control high level voltage	V_{DCC-H}		2	—	$V_{CC} + 0.2$	V
DC voltage control high level control current	I_{DCC-H}	V - DCC = 5V	10	25	50	μA
DC voltage control low level voltage	V_{DCC-L}		-0.2	—	0.4	V
DC voltage control low level control current	I_{DCC-L}	V- DCC = 0V	-2	-0.1	—	μA

Note) Unless otherwise specified, $V_{CC}=5\text{V}$, and $I_L = 20\text{mA}$.

■ Electrical Characteristics (cont.) (Ta=25±2°C)

Parameter	Symbol	Condition	min	typ	max	Unit
Data input high level voltage	V _{DIN-H}		2	—	V _{CC} + 0.2	V
Data input high level control current	I _{DIN-H}	V-DIN=5V	70	160	250	μA
Data input low level voltage	V _{DIN-L}		-0.2	—	0.3	V
Data input low level control current	I _{DIN-L}	V-DIN = 0V	-1	-0.1	—	μA

Power Supply Block

AC impedance (I)	Z _{AC-I}	I _L =80mA, V _{CC} =0V, V _{in} =200mVrms, Fin=1kHz	450	570	750	Ω
AC impedance (E)	Z _{AC-E}	I _L =80mA, V _{CC} =5V, V _{in} =200mVrms, Fin=1kHz	450	580	750	Ω

Input impedance

BT amp. input impedance	Z _{in-BT}	Pin 17 Input	8.7	9.5	10.7	kΩ
ALC amp. input impedance	Z _{in-ALC}	Pin 40 Input	8.5	9.5	10.5	kΩ
Intercom preamp. input impedance	Z _{in-DH}	Pin 56 Input	8.5	9.5	10.5	kΩ
RF1 preamp. input impedance	Z _{in-RF1}	Pin 57 Input	8.5	9.5	10.5	kΩ
RF2 preamp. input impedance	Z _{in-RF2}	Pin 58 Input	8.5	9.5	10.5	kΩ
SP input impedance	Z _{in-SP}	Pin 42 Input	37.5	50.0	62.5	kΩ

■ Electrical Characteristics (Design Values for Reference) (Ta=25±2°C)

The following are design values for reference, not guaranteed values.

Parameter	Symbol	Condition	min	typ	max	Unit
-----------	--------	-----------	-----	-----	-----	------

Speech Block

Rec. output noise voltage (I)	V _{n-IR}	I _L =30mA, V _{CC} =0V, DIN/AUDIO	—	0.3	—	mVrms
Rec. output noise voltage (E)	V _{n-ER}	I _L =30mA, V _{CC} =5V, DIN/AUDIO	—	0.3	—	mVrms
Trans. output noise voltage (I)	V _{n-IT}	I _L =30mA, V _{CC} =0V, DIN/AUDIO	—	0.3	—	mVrms
Trans. output noise voltage (E)	V _{n-ET}	I _L =30mA, V _{CC} =5V, DIN/AUDIO	—	0.3	—	mVrms
Dial mute trans. amp. mute attenuation	M _{-TDM}	I _L =30mA, V _{CC} =5V, V _{in} = -30dBm, V-DBM-H/L	—	75	—	dB
Trans. preamp. mute attenuation	M _{-TM}	I _L =30mA, V _{in} = -30dBm, V _{CC} =5V, L _{sw} (h3F)=OFF/ON	—	70	—	dB
Rec. output mute attenuation	M _{-RO}	I _L =30mA, V _{in} = -30dBm, V _{CC} =5V, L _{sw} (h27)= OFF/ON	—	50	—	dB
Rec. preamp. input impedance	Z _{in-R}	Pin 12 Input	—	500	—	kΩ
MIC preamp. input impedance	Z _{in-M}	Pin 21 and 22 Input	—	500	—	kΩ

REC/PLAY Block

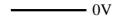
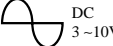
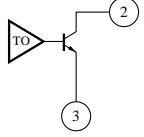
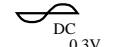
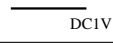
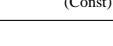
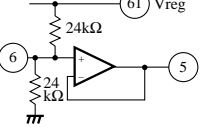
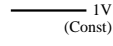
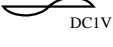
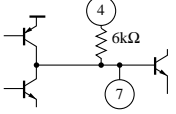
ALC amp. ALC width	W _{-ALC}	I _L =0mA, V _{CC} =5V, and ALC output distortion≤2%	—	40	—	dB
ALC amp. ALC effect	DALC	I _L =0mA, V _{CC} =5V, and V _{in} = -45dBm to -20dBm	—	1	—	dB
Rec. amp. mute attenuation	M _{-REC}	V _{CC} =5V, V _{in} = -10dBm I _L =0mA, and LSW (h07)= ON/OFF	—	80	—	dB

■ Electrical Characteristics (Cont.) (Design Values for Reference) (Ta=25±2°C)

The following are design values for reference, not guaranteed values.

Parameter	Symbol	Condition	min	typ	max	Unit
EQ amp. mute attenuation	M _{EQ}	V _{CC} =5V, V _{in} = -30dBm I _L = 0mA, LSW(h0F)=ON/OFF	—	80	—	dB
Rec. preamp. input impedance	Z _{in-REC}	Pin 43 input	—	10	—	kΩ
EQ amp. input impedance	Z _{in-EQ}	Pins 47 and 48 input	—	500	—	kΩ
VOX amp. input impedance	Z _{in-VOX}	Pin 47 input	—	500	—	kΩ
Link Switch						
Link SW mute attenuation	M _{LS}	V _{CC} =5V, I _L =30mA, AC output measured at link ON/OFF	—	75	—	dB
MIX preamp. input impedance	Z _{in-MIX}	Pin 53 input	—	500	—	kΩ
AUX preamp. input impedance	Z _{in-AUX}	Pin 55 input	—	500	—	kΩ
CPC output impedance	Z _{out-CPC}	Pin 25 input	—	100	—	kΩ
Noise reduction amp. input impedance	Z _{in-NL}	Pin 9 input	—	45	—	Ω
VOX cross talk	V _{OX-CT}	V _{CC} =5V, I _L =30mA, cross talk to line during VOX	—	-70	—	dBm

■ Pin Descriptions



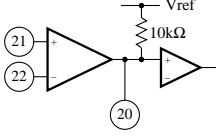
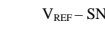
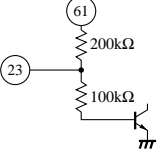
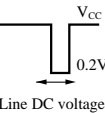
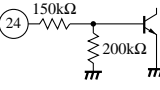
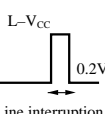
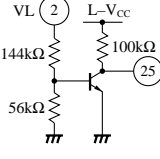
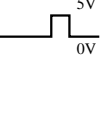
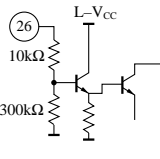
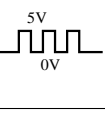
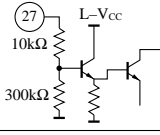
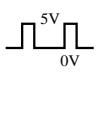
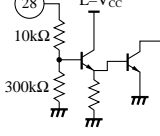
Pin No.	Pin name	I/O	Waveform	Description	Equivalent circuit	Remarks
1	GND	—	 0V	Ground : •This is the ground pin for the speech network.	GND for REC/PLY, VREG, SPEECH and LINK	—
2	VL	I	 DC 3~10V	Line power input: •Connects to the positive output of the diode bridge.		The line drive gain (G) is : $G = \frac{Z_{Line}/Z_{Tel}}{R_1}$ Also assuming Z _{Line} ≈600Ω Z _{Tel} ≈600Ω R ₁ = 27Ω $G = 20\log\frac{300}{27} = 20.9\text{db}$
3	ST	O	 DC 0.3V	Side-tone adjustment: •Grounded through R1 (27Ω) •Connects to the side-tone adjusting circuit to adjust side tone and receiver level.		
4	VL-CONT	I	 DC 1V	Line voltage control (1) :	—	C2 and the internal resistance determine the f. characteristics.
5	Vref-SN	O	 1V (Const)	Int. ref. voltage output (2) : •Output impedance=50Ω		Grounded through a 0.01μF capacitor.
6	Vref	O	 1V (Const)	Int. ref. voltage output (1) : •Outputs half the Vreg reference voltage.		
7	T-FILTER	O	 DC 1V	Trans. preamp. output : •C7 as connected between this pin and the ground forms a low-pass filter.		—

Note) The symbols are the same as those used in the application circuit.

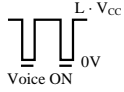
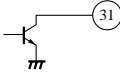

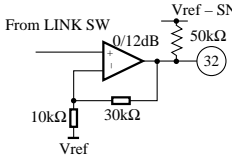

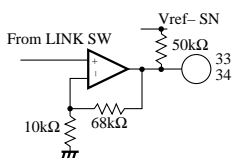
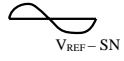
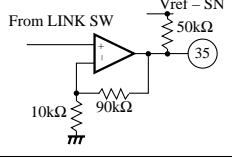

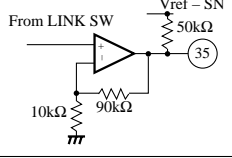
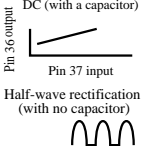
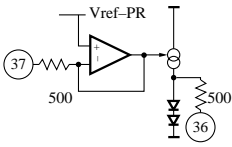



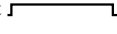
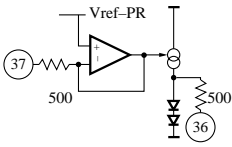
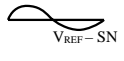
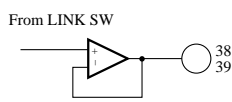
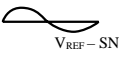
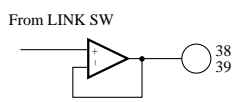
■ Pin Descriptions (cont.)

Pin No.	Pin name	I/O	Waveform	Description	Equivalent circuit	Remarks
8	VN DET	—	<p>DC (with a capacitor) Full-wave detection (with no capacitor)</p>	<ul style="list-style-type: none"> Noise reduction detection amp. output : A smoothing capacitor C6 and R5 connect to this pin to adjust the attack and recovery times of noise reduction. 		<ul style="list-style-type: none"> This pin must be grounded if noise reduction is not used. The greater C7, the longer the attack time. The smaller R6, the shorter the recovery time. Noise reduction detection amp. gain (G) is : $G = \frac{64K}{R6}$
9	VN DET- IN	I		<ul style="list-style-type: none"> Noise reduction detection amp. input : Noise reduction amp. output is fed through C7 and R6 to this pin. 		
10	VN OUT	O	<p>V_{REF}</p>	<ul style="list-style-type: none"> Noise reduction amp. output : Connects to the noise reduction detection amp. input. 		
11	APC	I	<p>Vreg-R · I IL</p>	<p>Auto. PAD control :</p> <ul style="list-style-type: none"> Connects through a resistance to Pin 61(Vreg). If the resistance increases, the PAD operates closer to the near end. If the resistance decreases, the PAD operates closer to the far end. 		
12	RV IN	I	<p>V_{REF-SN}</p>	<p>Rec. preamp. input :</p> <ul style="list-style-type: none"> Receiver signals are input from the side-tone circuit to this pin. R8 and C9 connected between Pin 13 and this pin determine the f. characteristics. 		<p>The receiver preamplifier gain (G) is :</p>
13	RV PREOUT	O	<p>V_{REF-SN}</p>	<p>Rec. preamp. output :</p> <ul style="list-style-type: none"> R8 and C9 connected between Pin 12 and this pin determine the f. characteristics. The output impedance is up to 1 kΩ. 		$G = - \frac{1}{R9 + \frac{1}{j\omega C9}} \cdot \frac{1}{R8 + j\omega C10}$
14	RV FILTER	O	<p>V_{REF-SN}</p>	<p>Rec. amp. input :</p>		
15	RV OUT (1)	O	<p>V_{REF-SN}</p>	<p>Rec. amp. outputs (1 and 2) :</p> <ul style="list-style-type: none"> A ceramic or dynamic receiver is connected. The output circuit is a BTL configuration. The output impedance is up to 50 Ω. 		
16	RV OUT (2)		<p>V_{REF-SN}</p>			
17	BT- IN	I	<p>V_{REF-SN} Signal input</p>	<p>BT signal input :</p> <ul style="list-style-type: none"> BT (beep tone) signals are input through C15 to this pin. Input impedance is 10 kΩ. 		<p>In the application circuit, MIC. IN (-) is input through a capacitor. This capacitor and R12-R14, and C15 and C16 determine the f. characteristics.</p>
18	MF - OUT	O	<p>V_{REF-SN}</p>	<p>DTMF preamp. output :</p> <ul style="list-style-type: none"> A C/R combination between Pin 19 and this pin determines the f. characteristics of the DTMF preamp. 		
19	MF - IN	I	<p>V_{REF-SN} Signal input</p>	<p>DTMF signal input :</p> <ul style="list-style-type: none"> DTMF signals are input through a capacitor to this pin. DTMF signals are enabled when DMC is low at Pin 40. 		<p>The 10 kΩ input impedance and C12 or C13 form a HPF.</p>

■ Pin Descriptions (cont.)

Pin No.	Pin name	I/O	Waveform	Description	Equivalent circuit	Remarks
20	MIC OUT	O		MIC preamp. output : •R12 and C14 connected between Pin 22 and this pin determine the f. characteristics. •The output impedance is up to 1 k Ω .		
21	MIC IN (+)	I		MIC preamp. input (1) : •A bias resistor and a microphone connect to this pin.		
22	MIC IN (-)	I		MIC preamp. input (2) : •R12 and C14 connected between Pin 20 and this pin determine the f. characteristics.		
23	DMC	I		Dial mute control : •Normal speech mode when Pin 23 is high or open (MIC amp. ON and rec. amp. ON). •DTMF mode when Pin 23 is low (DTMF amp. ON and BT amp. ON).		
24	DC - CONT	I		Line voltage control : •Line voltage is normal when the input voltage at this pin is high. Line voltage increases by 1-1.5 V when the input voltage is low.		
25	CPC	O		Line interruption detector output : •This is an open collector output to a microprocessor, requiring a pull-up resistor connected to the microprocessor's power supply. This pin goes low when line voltage is 3.0 V or more, and goes high when 1.5 V or less.		
26	STR	I		Strobe signal input : •The strobe signal for serial control data is input to this pin. The rising edge of the strobe signal determines the timing at which internal control address or ON/OFF status is validated.		
27	CLK	I		Clock signal input : •The clock signal for serial control data is input to this pin. The rising edge of the clock signal determines the timing at which data is read.		
28	DATA	I		Data input : •Serial data is input to this pin. Data is read into the internal shift register in synchronization with clock signals.		

■ Pin Descriptions (cont.)

Pin No.	Pin name	I/O	Waveform	Description	Equivalent circuit	Remarks
29	GND	—		Ground : •This is the ground pin for the logic circuits.	_____	_____
30	L- V _{CC}	—		Logic power supply input :	_____	_____
31	VOX- OUT	O		Vox detector output : •This is an open collector output. •This pin goes high when voice signals are input to Pin 37.		_____
32	SP- OUT	O		Loudspeaker link output : •This is a link switch output to an external loudspeaker amplifier. •The output amplifier gain is selectable between 12 and 0 dB. •Output impedance is 50 ± 30Ω.		When address 2F of the cross-point switch is OFF, the output amplifier gain is set to 12 dB.
33	RF2- OUT	O		RF2 link output : •This is a link switch output. •Output impedance is 50Ω.		_____
34	RF1- OUT	O		RF1 link output : •This is a link switch output. •Output impedance is 50Ω.		_____
35	DH- OUT	O		Intercom link output : •This is a link switch output to an intercom. •Output impedance is 50Ω.		_____
36	VOX DET	O		VOX detection control : •A smoothing capacitor (C18) and a resistor (R18) connect in parallel to this pin to adjust the attack and recovery times of the VOX detector.		VOX detection can be done in two ways : A) With small C18 (560 pF) and small R18 (39kΩ) VOX input  VOX output  B) With large C18 (22 μF) and large R18 (100 kΩ) VOX input  VOX output 
37	VOX IN	I		VOX amp. input : •VOX (voice detection) signals are input to this pin. •Input impedance is 500Ω.		
38	LTS- OUT	O		Time stamp link output : •This is a buffered link switch output. •Output impedance is 50Ω.		_____
39	LRC- OUT	O		Recording link output : •This is a buffered link switch output. •Output impedance is 50Ω.		_____

■ Pin Descriptions (cont.)

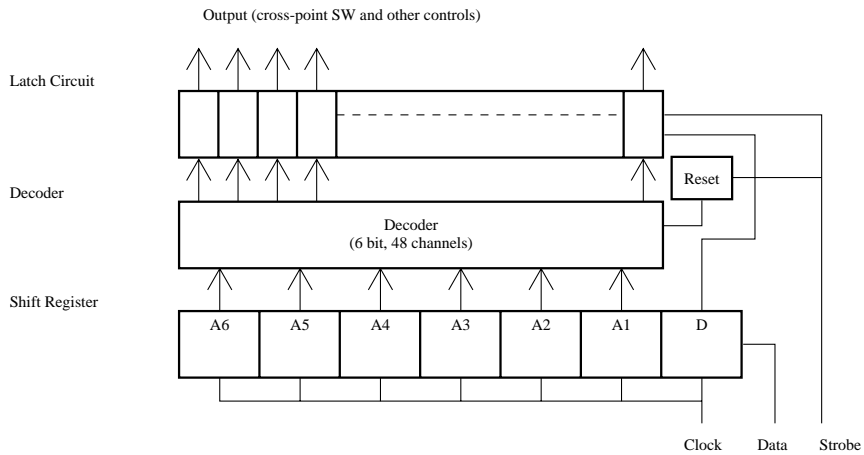
Pin No.	Pin name	I/O	Waveform	Description	Equivalent circuit	Remarks
40	ALC. IN	I		ALC input : •Pin 45 connects through a coupling capacitor to this pin. •Input impedance is 10kΩ.		•Ground Pin 41 if no ALC circuit is used. •The larger C20, the longer the attack time. The smaller R20, the shorter the recovery time
41	ALC. DET	O	Pin 41 output DC (with a capacitor) Input Full-wave rectification (with no capacitor) 	ALC detection control : •A smoothing capacitor (C20) and a resistor (R20) connect in parallel to this pin to adjust the attack and recovery times of the ALC.		
42	SP - IN	I		Loudspeaker link input : •SP signals to this pin are output through a coupling capacitor to the link switch. •Input impedance is 50kΩ.		
43	RD PRE - IN	I		Recording input : •Recording signals are input through a coupling capacitor to this pin. •Input impedance is normally 10kΩ. It decreases during ALC operation.		
44	RD PRE - NF	I		Recording preamp. inverse input : •A/C/R combination between Pin 45 and this pin determines the gain and f. characteristics of the recording preamplifier.		The gain (G) of the recording preamplifier is :
45	REC PRE - OUT	O		Recording preamp. output : •Outputs amplified recording signals. •Output impedance is 50Ω.		$G = - \frac{R23}{R22+j\omega C23}$
46	BIASS ADJ			Recording bias current control : •A C/R combination connected to this pin determines the recording bias current and gain of a recording head. •The smaller the resistance of the C/R combination, the greater the bias current and gain.		•Address 07 of the cross-point SW determines the ON/OFF status of the rec. preamp. •The bias current to the head is :
47	HEAD	I/O	Bias voltage During recording 0V During playing 0V	To recording head : •A recording head connects to this pin.		$I_H = \frac{V_{REF-PR}}{R25} \times 3$ $V_{REF-PR} = \frac{1}{2} V_{reg}$
48	EQ. NF	I		EQ amp. inverse input : •A C/R combination between Pin 49 and this pin determines the equalizer characteristics.		•The gain of the equalizer amp. is calculated the same way as the receiver preamp. •Address 0F of the cross-point SW determines the ON/OFF status of the EQ amp.
49	EQ. OUT	O		EQ amp. output : •Outputs amplified equalizer signals. •Output impedance is 50Ω.		
50	V _{REF-PR}	O		REC/PLAY int. ref. voltage output : •The Pin 5 ref. voltage is buffered and output from this pin. •Output impedance is 50Ω		
51	GND			Ground :		

■ Pin Descriptions (cont.)

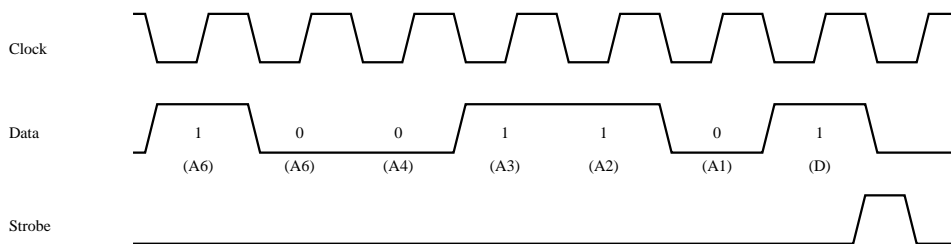
Pin No.	Pin name	I/O	Waveform	Description	Equivalent circuit	Remarks
52	MIX OUT	O		MIX preamp. output : • A C/R combination between Pin 53 and this pin determines the gain and f. characteristics of the MIX preamp. • Output impedance is 50Ω.		The gain of the MIX preamp. is calculated the same way as the rec. preamp.
53	MIX IN	I		MIX link input : • MIX signals are input through a coupling capacitor to this pin.		
54	AUX OUT	O		AUX preamp. output : • A C/R combination between Pin 55 and this pin determines the gain and f. characteristics of the AUX preamp. • Output impedance is 50Ω.		The gain of the AUX preamp. is calculated the same way as the rec. preamp.
55	AUT IN	I		AUX link input : • AUX signals are input through a coupling capacitor to this pin.		
56	DH IN	I		Intercom link input : • Intercom signals are input through a coupling capacitor C30 to this pin. • Input impedance is 10kΩ		The input impedance as illustrated left and C30, C31, or C32 form a HPF.
57	RF1 IN	I		RF1 link input : • RF1 signals are input through a coupling capacitor C31 to this pin. • Input impedance is 10kΩ.		
58	RF2 IN	I		RF2 link input : • Same as above.		
59	PR	I		Power-ON reset control : • C33 between this pin and GND determines the power-ON reset time of the logic circuits.		<ul style="list-style-type: none"> •The larger C33, the longer the power-ON reset time. •The power-ON reset signal is output when the supply voltage reaches 4V.
60	VCC	—		External supply voltage input : • $-5 \pm 0.5V$ power supply is input to this pin.		
61	Vreg	O		Internal supply voltage output : • A power supply derived from line voltage is output from this pin to the internal speech network.		
62	VLC	—	2 to 5 VDC depending on V_L	Circuit voltage control (2) : • This pin is grounded through C36.		C36 (typically 47μF) determines how the circuit voltage fluctuates.
63	PD2	O		Line current bypass : • Line current is bypassed from this pin through R35 to GND. R35 must be 1/2 W or more.		Z_{Te1} is 1.5-2.0kΩ on the IC side. It must be adjusted to 600Ω by inserting a 820Ω resistor between VL and GND.
64	PD1	I		Line current bypass (1) : • Line current is bypassed from this pin through R36 to Pin 2. R36 must be 1/2 W or more.		

Logic Specifications

■ Basic Block Diagrams



■ Time Charts (Assuming the address h26 latch is to be set)



1. Data is read into the shift register in synchronization with a rising edge of the clock, with the higher data being shifted sequentially on a first-come highest-bit basis.
2. When the strobe is low, data is shifted sequentially on the shift register in synchronization with the clock. Data on the latch circuit will not change.
3. When the strobe goes high, the latched data whose address is represented by the highest six bits of the shift register is updated. Latched data is set when the least significant bit is 1, and reset when the bit is 0.
4. Referring to 3 above, if the address is h00 (the highest six bits of the shift register are all 0s), the latch circuit is cleared (all reset) regardless of the data content.
5. At power-on (VCC ON), the latch circuit is cleared (by power-ON reset).

■ Logic Circuits Address Specifications

1. Cross-point switch

Input	Output	Handset rec.	Line output	Loudspeaker	Intercom	RF1	RF2	Recording	Time stamp
Loudspeaker				02					
Microphone			09	0A	0B	0C	0D	0E	
Receiver		10		12		14	15	16	
Intercom		18		1A		1C	1D	1E	
RF1		20	21		23		25	26	
RF2		28	29		2B	2C		2E	
MIX		30	31	32	33	34	35		37
AUX		38	39	3A	3B	3C	3D	3E	

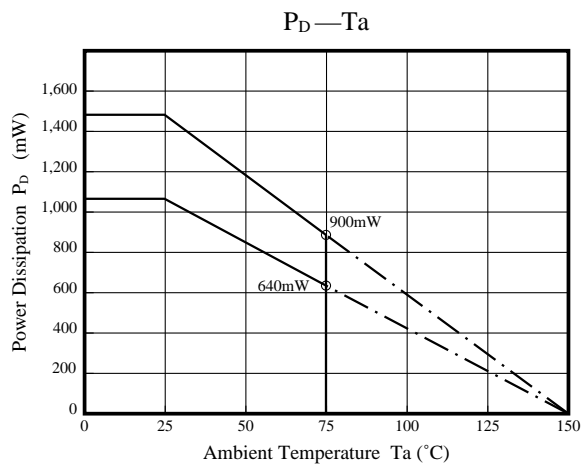
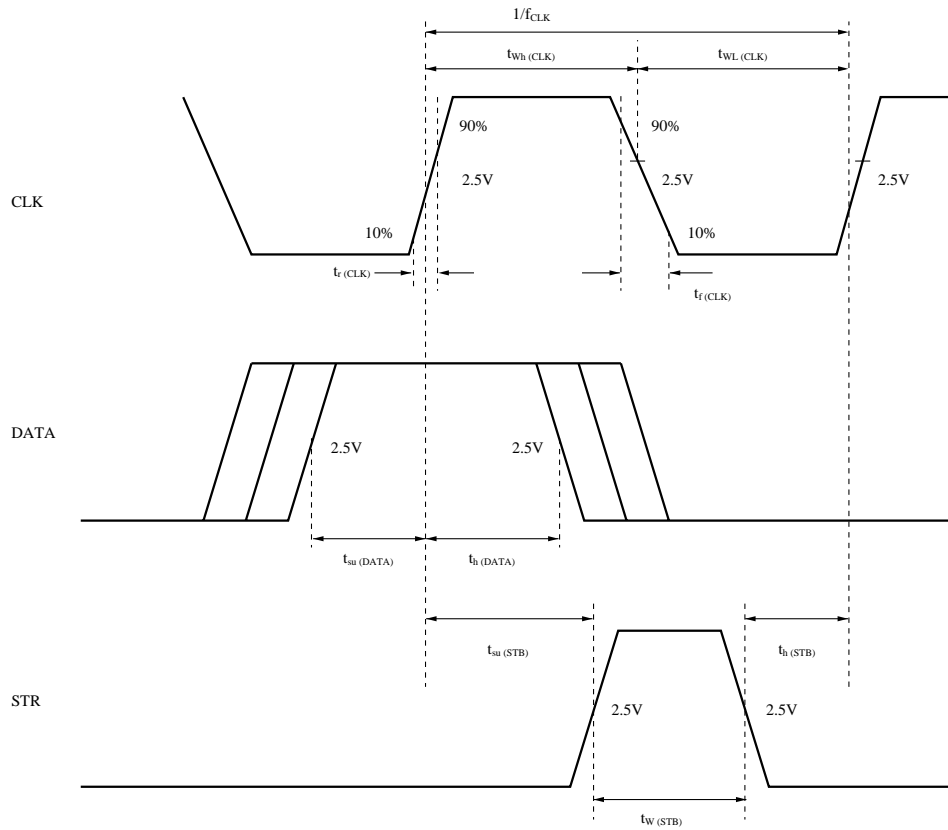
Note) Empty space means “not applicable.” Address is in hexadecimal.

2. Other control switches

Address	Description
00	Cross-point SW all reset
07	Recording amp. ON
0F	Playing amp. ON
17	Receiver volume 6 dB up
1F	Receiver volume 9 dB up
27	Handset receiver amp. mute
2F	SP output amp. gain 12 dB down
3F	MIC preamp. mute
09, 21, 29	Receiver noise reduction is enabled.

Note) Address is in hexadecimal.

■ Timing Charts



■ AN6472NFBP Applicant Circuit

