

GN01081B

GaAs IC (with built-in ferroelectric)

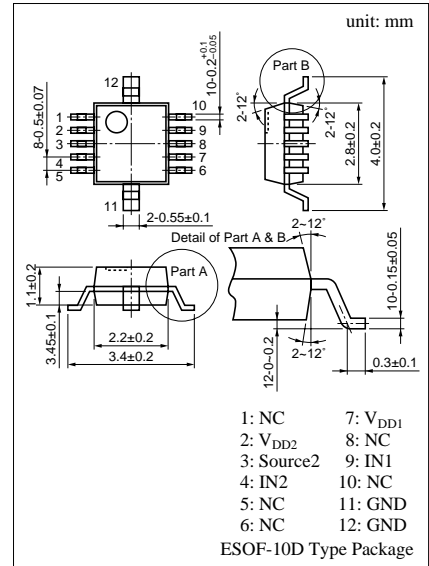
Driver amplifier for PCS

■ Features

- High output amplifier
- Low distortion

■ Absolute Maximum Ratings (Ta = 25°C)

Parameter	Symbol	Ratings	Unit
Power supply voltage	V _{DD}	8	V
Circuit current	I _{DD}	100	mA
Max input power	P _{in}	-5	dBm
Allowable power dissipation	P _D	450	mW
Operating ambient temperature	T _{opr}	-30 to +90	°C
Storage temperature	T _{stg}	-40 to +120	°C



■ Electrical Characteristics (V_{DD} = 3.0V, f = 1880MHz, P_{out} = 11.0dBm, Ta = 25 ± 3°C)

Parameter	Symbol	Test method	Conditions	min	typ	max	Unit
Circuit current	I _{DD}	(1)			60	75	mA
Power gain	PG	(1)		22	25	27	dB
Adjacent channel leakage power (ACP) 1	ACP1	(1) (2)	IS - 95 modulation, ±1.25MHz Detuning 30kHz Bandwidth		-56	-51	dBc
Adjacent channel leakage power (ACP) 2	ACP2	(1) (2)	IS - 95 modulation, ±2.25MHz Detuning 30kHz Bandwidth		-71	-66	dBc

Test method (1): Measurement circuit is shown in the following diagram.

(2): This item is the sampling guaranteed item.

■ Measurement Circuit

