

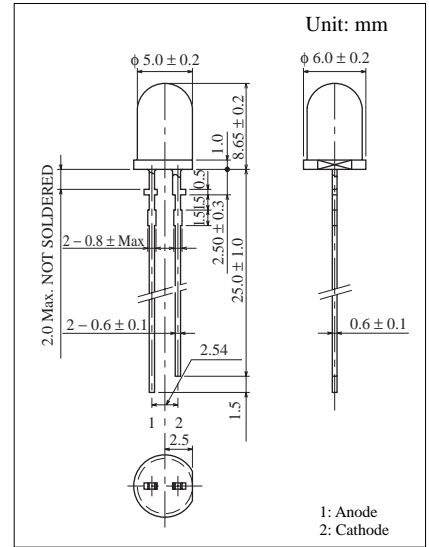
φ 5.0 mm Blue Series  
LNG901LCFB

Conventional Part No. Global Part No. Lighting Color  
LNG901LCFB ..... LNG901LCFB ..... Blue

■ 絶対最大定格 Absolute Maximum Ratings ( $T_a = 25^\circ\text{C}$ )

Lighting Color	$P_D$ (mW)	$I_F$ (mA)	$I_{FP}$ (mA)*	$V_R$ (V)	$T_{opr}$ ( $^\circ\text{C}$ )	$T_{stg}$ ( $^\circ\text{C}$ )
Blue	120	30	100	5	-25 ~ +85	-30 ~ +100

$I_{FP}$ の条件は  $\mu\text{t}$  10% Pulse width 1 msec. The condition of  $I_{FP}$  is duty 10%, Pulse width 1 msec



■ 電気的光学的特性 Electro-Optical Characteristics ( $T_a = 25^\circ\text{C}$ )

Conventional Part No.	Lighting Color	Lens Color	$I_O$			$V_F$		$\lambda_p$	$\Delta\lambda$	$I_F$	$I_R$	
			Typ	Min	$I_F$	Typ	Max				Max	$V_R$
LNG901LCFB	Blue	Clear	650	—	20	3.5	4.0	470	30	20	10	5
Unit	—	—	mcd	mcd	mA	V	V	nm	nm	mA	$\mu\text{A}$	V

