

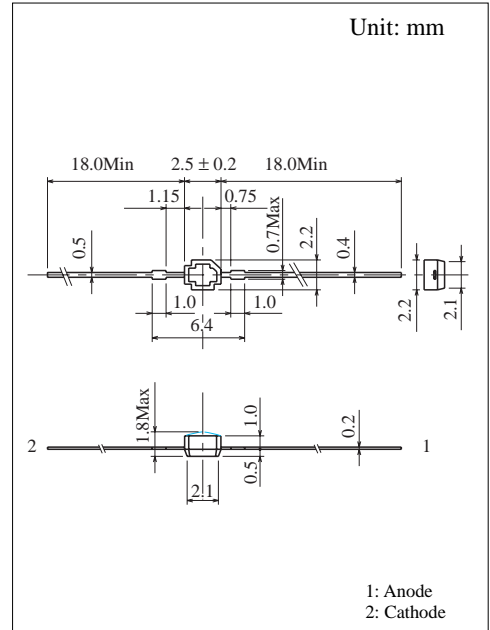
# Minibright LED Series

Conventional Part No.      Global Part No.      Lighting Color  
 LN01203C - (L) ..... LNG202C2R ..... Red  
 LN01303GC - (L) ..... LNG303M2G ..... Green  
 LN01403YC - (L) ..... LNG403N2X ..... Amber

## ■ 絶対最大定格 Absolute Maximum Ratings (T<sub>a</sub> = 25°C)

Lighting Color	P <sub>D</sub> (mW)	I <sub>F</sub> (mA)	I <sub>FP</sub> (mA)*	V <sub>R</sub> (V)	T <sub>opr</sub> (°C)	T <sub>stg</sub> (°C)
Red	40	15	80	4	-25 ~ +85	-30 ~ +100
Green	40	15	80	4	-25 ~ +85	-30 ~ +100
Amber	40	15	80	4	-25 ~ +85	-30 ~ +100

I<sub>FP</sub>の条件は duty 10% , Pulse width 1 msec. The condition of I<sub>FP</sub> is duty 10%, Pulse width 1 msec



## ■ 電気的光学的特性 Electro-Optical Characteristics (T<sub>a</sub> = 25°C)

Conventional Part No.	Lighting Color	Lens Color	I <sub>O</sub>		I <sub>F</sub>	V <sub>F</sub>		λ <sub>p</sub>	Δλ	I <sub>F</sub>	I <sub>R</sub>	
			Typ	Min		Typ	Max				Max	V <sub>R</sub>
LN01203C - (L)	Red	Clear	1.4	0.6	10	2.05	2.7	700	100	10	5	4
LN01303GC - (L)	Green	Green Clear	5.0	2.0	10	2.05	2.7	565	30	10	10	4
LN01403YC - (L)	Amber	Amber Clear	1.0	0.4	10	2.00	2.7	590	30	10	10	4
Unit	—	—	mcd	mcd	mA	V	V	nm	nm	mA	μA	V

