

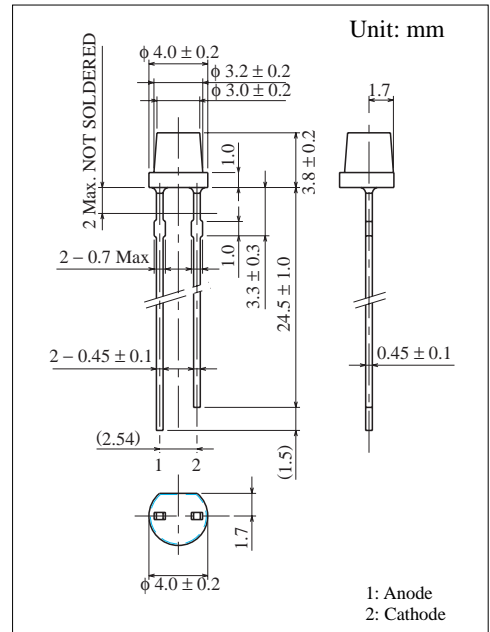
丸形 Round Type
φ 3.0 mm Series

Conventional Part No. Global Part No. Lighting Color
LN277WALX LNG277WKA Red
LN277CALX LNG277CKA Red

■ 絶対最大定格 Absolute Maximum Ratings (T_a = 25°C)

Lighting Color	P _D (mW)	I _F (mA)	I _{FP} (mA)*	V _R (V)	T _{opr} (°C)	T _{stg} (°C)
Red	60	30	150	3	-25 ~ +85	-30 ~ +100

I_{FP}の条件は duty 10% ,Pulse width 1 msec. The condition of I_{FP} is duty 10%, Pulse width 1 msec



■ 電気的光学的特性 Electro-Optical Characteristics (T_a = 25°C)

Conventional Part No.	Lighting Color	Lens Color	I _O		I _F	V _F		λ _p	Δλ	I _F	I _R	
			Typ	Min		Typ	Max				Max	V _R
LN277WALX	Red	White Diffused	4.0	1.5	20	1.8	2.6	665	20	20	100	3
LN277CALX	Red	Clear	5.0	2.0	20	1.8	2.6	665	20	20	100	3
Unit	—	—	mcd	mcd	mA	V	V	nm	nm	mA	μA	V

