

# Round-Top View Type

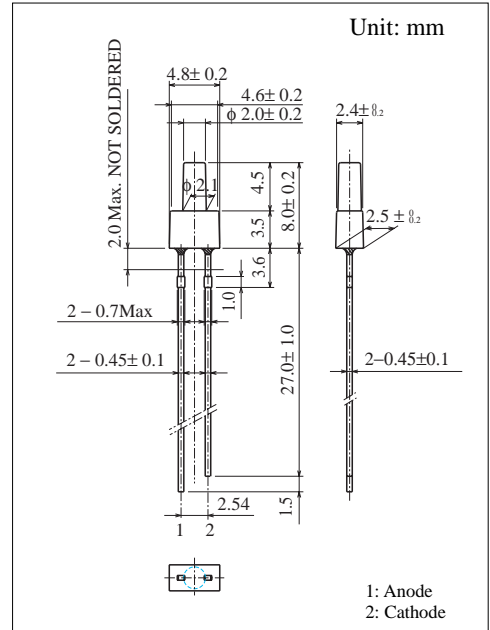
## φ 2.0 mm Series

Conventional Part No.	Global Part No.	Lighting Color
LN222RPX	LNG222RKR	Red
LN322GPX	LNG322GKG	Green
LN422YPX	LNG422YKX	Amber

### ■ Absolute Maximum Ratings (T<sub>a</sub> = 25°C)

Lighting Color	P <sub>D</sub> (mW)	I <sub>F</sub> (mA)	I <sub>FP</sub> (mA)*	V <sub>R</sub> (V)	T <sub>opr</sub> (°C)	T <sub>stg</sub> (°C)
Red	70	25	150	4	-25 ~ +85	-30 ~ +100
Green	90	30	150	4	-25 ~ +85	-30 ~ +100
Amber	90	30	150	4	-25 ~ +85	-30 ~ +100

I<sub>FP</sub>の条件は duty 10% , Pulse width 1 msec. The condition of I<sub>FP</sub> is duty 10%, Pulse width 1 msec



### ■ Electro-Optical Characteristics (T<sub>a</sub> = 25°C)

Conventional Part No.	Lighting Color	Lens Color	I <sub>O</sub>			I <sub>F</sub>	V <sub>F</sub>		λ <sub>P</sub>	Δλ	I <sub>F</sub>	I <sub>R</sub>	
			Typ	Min			Typ	Max				Max	V <sub>R</sub>
LN222RPX	Red	Red Diffused	0.6	0.2	15	2.2	2.8	700	100	20	5	4	
LN322GPX	Green	Green Diffused	1.0	0.4	20	2.2	2.8	565	30	20	10	4	
LN422YPX	Amber	Amber Diffused	2.5	1.2	20	2.2	2.8	590	30	20	10	4	
Unit	—	—	mcd	mcd	mA	V	V	nm	nm	mA	μA	V	

