

Round Type

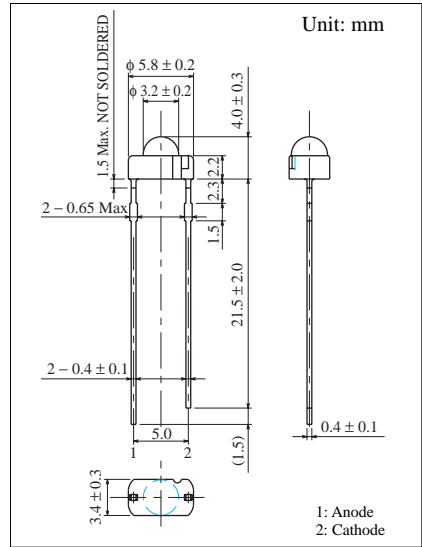
Directly Joint Type

Conventional Part No. Global Part No. Lighting Color
 LNG301MPU LNG301MPU Green Clear
 LNG801LPD LNG801LPD Orange Clear

Absolute Maximum Ratings ($T_a = 25^\circ\text{C}$)

Lighting Color	P_D (mW)	I_F (mA)	I_{FP} (mA)*	V_R (V)	T_{opr} ($^\circ\text{C}$)	T_{stg} ($^\circ\text{C}$)
Green Clear	90	30	150	4	-25 ~ +85	-30 ~ +100
Orange Clear	90	30	150	3	-25 ~ +85	-30 ~ +100

I_{FP} の条件は duty 10% , Pulse width 1 msec. The condition of I_{FP} is duty 10%, Pulse width 1 msec



Electro-Optical Characteristics ($T_a = 25^\circ\text{C}$)

Conventional Part No.	Lighting Color	Lens Color	I_O		I_F	V_F		λ_P	$\Delta\lambda$	I_F	I_R	
			Typ	Min		Typ	Max				Max	V_R
LNG301MPU	Green	Clear	20	7.0	20	2.2	2.8	565	30	20	10	4
LNG801LPD	Orange	Clear	12	4.5	20	2.1	2.8	630	40	20	10	3
Unit	—	—	mcd	mcd	mA	V	V	nm	nm	mA	μA	V

