

# Round Type

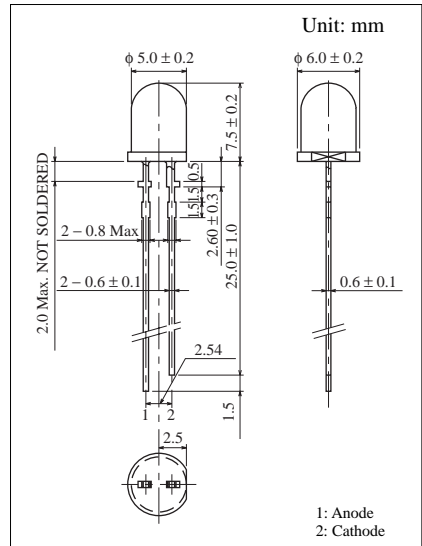
## φ 5.0 mm Pure Green LNG61LCF6

Conventional Part No.      Global Part No.      Lighting Color  
LNG61LCF6 ..... LNG61LCF6 ..... Pure Green

### ■ Absolute Maximum Ratings (T<sub>a</sub> = 25°C)

Lighting Color	P <sub>D</sub> (mW)	I <sub>F</sub> (mA)	I <sub>FP</sub> (mA)*	V <sub>R</sub> (V)	T <sub>opr</sub> (°C)	T <sub>stg</sub> (°C)
Pure Green	120	30	100	5	-25 ~ +80	-30 ~ +100

I<sub>FP</sub>の条件は duty 10% ,Pulse width 1 msec. The condition of I<sub>FP</sub> is duty 10%, Pulse width 1 msec



### ■ Electro-Optical Characteristics (T<sub>a</sub> = 25°C)

Conventional Part No.	Lighting Color	Lens Color	I <sub>O</sub>		I <sub>F</sub>	V <sub>F</sub>		λ <sub>P</sub>	Δλ	I <sub>F</sub>	I <sub>R</sub>	
			Typ	Min		Typ	Max	Typ	Typ		Max	V <sub>R</sub>
LNG61LCF6	Pure Green	Clear	1200	700	20	3.6	4.0	515	40	20	10	5
Unit	—	—	mcd	mcd	mA	V	V	nm	nm	mA	μA	V

