

# Round Type

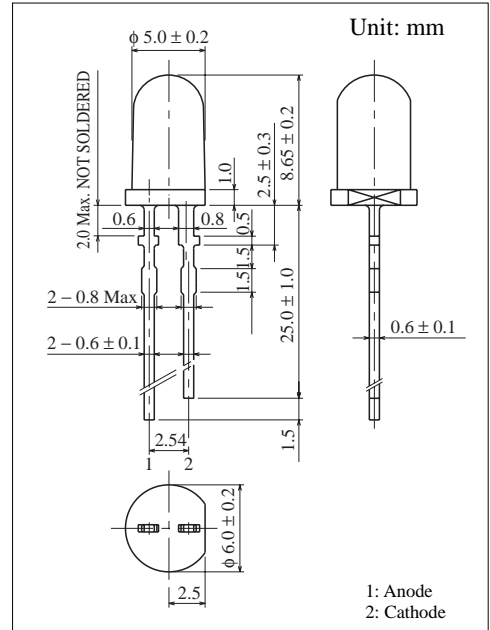
## φ 5.0 mm Series

Conventional Part No.	Global Part No.	Lighting Color
LN81RPH	LNG801RFD	Orange
LN81RCPH	LNG801LFD	Orange
LN81WPH	LNG801WFD	Orange
LN81CPH	LNG801CFD	Orange

### Absolute Maximum Ratings (T<sub>a</sub> = 25°C)

Lighting Color	P <sub>D</sub> (mW)	I <sub>F</sub> (mA)	I <sub>FP</sub> (mA)*	V <sub>R</sub> (V)	T <sub>opr</sub> (°C)	T <sub>stg</sub> (°C)
Orange	90	30	150	3	-25 ~ +85	-30 ~ +100

I<sub>FP</sub>の条件は duty 10% ,Pulse width 1 msec. The condition of I<sub>FP</sub> is duty 10%, Pulse width 1 msec



### Electro-Optical Characteristics (T<sub>a</sub> = 25°C)

Conventional Part No.	Lighting Color	Lens Color	I <sub>O</sub>		I <sub>F</sub>	V <sub>F</sub>		λ <sub>P</sub>	Δλ	I <sub>F</sub>	I <sub>R</sub>	
			Typ	Min		Typ	Max				Max	V <sub>R</sub>
LN81RPH	Orange	Red Diffused	10.0	5.0	20	2.1	2.8	630	40	20	10	3
LN81RCPH	Orange	Red Clear	20.0	8.0	20	2.1	2.8	630	40	20	10	3
LN81WPH	Orange	White Diffused	15.0	6.0	20	2.1	2.8	630	40	20	10	3
LN81CPH	Orange	Clear	25.0	10.0	20	2.1	2.8	630	40	20	10	3
Unit	—	—	mcd	mcd	mA	V	V	nm	nm	mA	μA	V

