

# Round Type

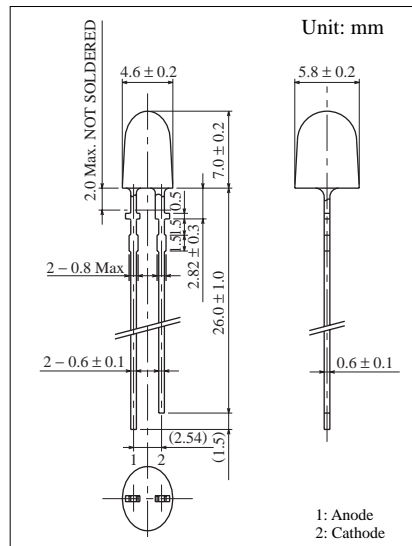
## φ 5.0 mm InGaAlP

Conventional Part No.      Global Parts No.      Lighting Color  
 LNW4B3YF4 ..... LNW4B3YF4 ..... Amber

### ■ Absolute Maximum Ratings (T<sub>a</sub> = 25°C)

| Lighting Color | P <sub>D</sub> (mW) | I <sub>F</sub> (mA) | I <sub>FP</sub> (mA)* | V <sub>R</sub> (V) | T <sub>opr</sub> (°C) | T <sub>stg</sub> (°C) |
|----------------|---------------------|---------------------|-----------------------|--------------------|-----------------------|-----------------------|
| Amber          | 125                 | 50                  | 150                   | 4                  | -25 ~ +85             | -30 ~ +100            |

I<sub>FP</sub>の条件は  $\mu$  duty 10% Pulse width 1 msec. The condition of I<sub>FP</sub> is duty 10%, Pulse width 1 msec



### ■ Electro-Optical Characteristics (T<sub>a</sub> = 25°C)

| Conventional Part No. | Lighting Color | Lens Color | I <sub>O</sub> |     | I <sub>F</sub> | V <sub>F</sub> |     | λ <sub>p</sub> | Δλ  | I <sub>F</sub> | I <sub>R</sub> |                |
|-----------------------|----------------|------------|----------------|-----|----------------|----------------|-----|----------------|-----|----------------|----------------|----------------|
|                       |                |            | Typ            | Min |                | Typ            | Max | Typ            | Typ |                | Max            | V <sub>R</sub> |
| LNW4B3YF4             | Amber          | Clear      | 520            | —   | 20             | 2.0            | 2.5 | 588            | 15  | 20             | 100            | 4              |
| Unit                  | —              | —          | mcd            | mcd | mA             | V              | V   | nm             | nm  | mA             | μA             | V              |

