

# Round Type

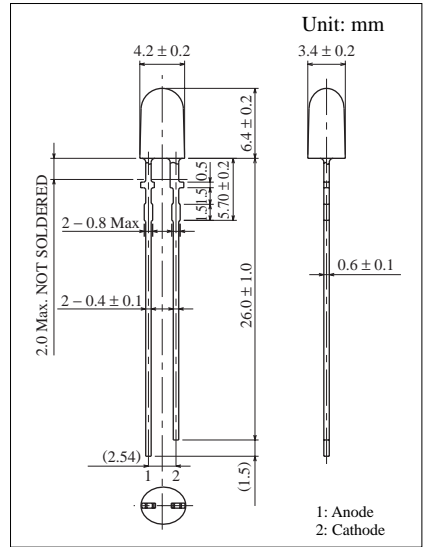
## φ 4.0 mm InGaAlP

Conventional Part No.      Global Parts No.      Lighting Color  
 LNW8A8SY8 ..... LNW8A8SY8 ..... Soft Orange

### ■ Absolute Maximum Ratings ( $T_a = 25^\circ\text{C}$ )

Lighting Color	$P_D$ (mW)	$I_F$ (mA)	$I_{FP}$ (mA)*	$V_R$ (V)	$T_{opr}$ ( $^\circ\text{C}$ )	$T_{stg}$ ( $^\circ\text{C}$ )
Soft Orange	125	50	150	4	-25 ~ +85	-30 ~ +100

$I_{FP}$ の条件は  $duty$  10% ,Pulse width 1 msec. The condition of  $I_{FP}$  is duty 10%, Pulse width 1 msec



### ■ Electro-Optical Characteristics ( $T_a = 25^\circ\text{C}$ )

Conventional Part No.	Lighting Color	Lens Color	$I_O$		$I_F$	$V_F$		$\lambda_P$	$\Delta\lambda$	$I_F$	$I_R$	
			Typ	Min		Typ	Max				Max	$V_R$
LNW8A8SY8	Soft Orange	Clear	250	—	20	2.0	2.5	620	15	20	100	4
Unit		—	mcd	mcd	mA	V	V	nm	nm	mA	$\mu\text{A}$	V

