

Round Type

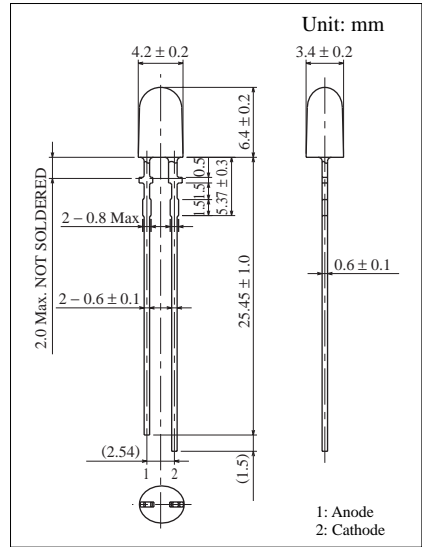
φ 4.0 mm Blue LNW9A8BYFZ

Conventional Part No. Global Parts No. Lighting Color
LNW9A8BYFZ LNW9A8BYFZ Blue

■ Absolute Maximum Ratings (T_a = 25°C)

Lighting Color	P _D (mW)	I _F (mA)	I _{FP} (mA)*	V _R (V)	T _{opr} (°C)	T _{stg} (°C)
Blue	120	30	100	4	-25 ~ +85	-30 ~ +100

I_{FP}の条件は duty 10% ,Pulse width 1 msec. The condition of I_{FP} is duty 10%, Pulse width 1 msec



■ Electro-Optical Characteristics (T_a = 25°C)

Conventional Part No.	Lighting Color	Lens Color	I _O		I _F	V _F		λ _P	Δλ	I _F	I _R	
			Typ	Min		Typ	Max	Typ	Typ		Max	V _R
LNW9A8BYFZ	Blue	Clear	180	—	20	3.7	4.3	468	30	20	100	4
Unit	—	—	mcd	mcd	mA	V	V	nm	nm	mA	μA	V

