

Ultra High Bright Surface Mounting Chip

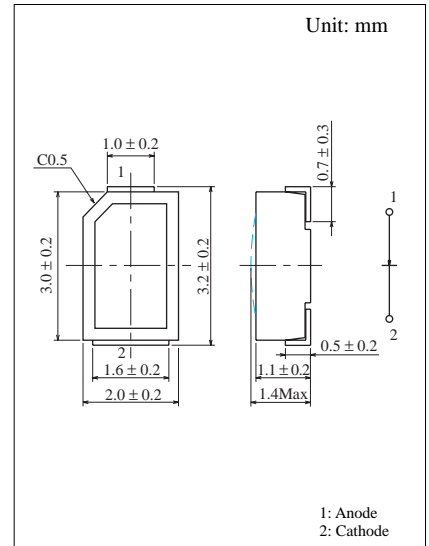
InGaAlP J Type

Conventional Part No. Global Part No. Lighting Color
 LNJ451C44RA LNJ451C44RA Amber
 LNJ851C48RA LNJ851C48RA Orange

■ Absolute Maximum Ratings ($T_a = 25^\circ\text{C}$)

Lighting Color	P_D (mW)	I_F (mA)	I_{FP} (mA)*	V_R (V)	T_{opr} ($^\circ\text{C}$)	T_{stg} ($^\circ\text{C}$)
Amber	50	20	60	4	-25 ~ +80	-30 ~ +85
Orange	50	20	60	4	-25 ~ +80	-30 ~ +85

I_{FP} の条件は $duty$ 10% Pulse width 1 msec. The condition of I_{FP} is duty 10%, Pulse width 1 msec



■ Electro-Optical Characteristics ($T_a = 25^\circ\text{C}$)

Conventional Part No.	Lighting Color	Lens Color	I_O		I_F	V_F		λ_p	$\Delta\lambda$	I_F	I_R	
			Typ	Min		Typ	Max				Max	V_R
LNJ451C44RA	Amber	Clear	14.5	5.5	10	2.0	2.3	595	15	10	100	4
LNJ851C48RA	Orange	Clear	9.0	3.5	10	1.9	2.3	620	17	10	100	4
Unit	—	—	mcd	mcd	mA	V	V	nm	nm	mA	μA	V

