

# Ultra High Bright Surface Mounting Chip

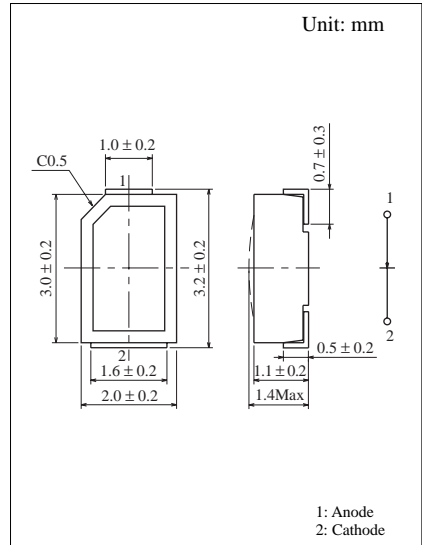
## Blue J Type

Conventional Part No. Global Part No. Lighting Color  
 LNJ951C4BRA ..... LNJ951C4BRA ..... Blue

### Absolute Maximum Ratings ( $T_a = 25^\circ\text{C}$ )

Lighting Color	$P_D$ (mW)	$I_F$ (mA)	$I_{FP}$ (mA)*	$V_R$ (V)	$T_{opr}$ ( $^\circ\text{C}$ )	$T_{stg}$ ( $^\circ\text{C}$ )
Blue	40	10	50	5	-25 ~ +80	-30 ~ +85

$I_{FP}$ の条件は duty 10% ,Pulse width 1 msec. The condition of  $I_{FP}$  is duty 10%, Pulse width 1 msec



### Electro-Optical Characteristics ( $T_a = 25^\circ\text{C}$ )

Conventional Part No.	Lighting Color	Lens Color	$I_O$		$I_F$	$V_F$		$\lambda_P$	$\Delta\lambda$	$I_F$	$I_R$	
			Typ	Min		Typ	Max				Max	$V_R$
LNJ951C4BRA	Blue	Clear	9.0	3.0	5	3.2	3.7	470	30	5	10	5
Unit	—	—	mcd	mcd	mA	V	V	nm	nm	mA	$\mu\text{A}$	V

