

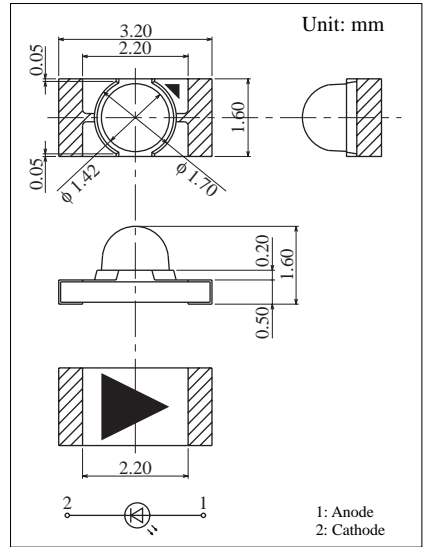
## Dome-Lens Type

Conventional Part No. Global Part No. Lighting Color  
 LNJ218C8TRU ..... LNJ218C8TRU ..... Red

### ■ 絶対最大定格 Absolute Maximum Ratings ( $T_a = 25^\circ\text{C}$ )

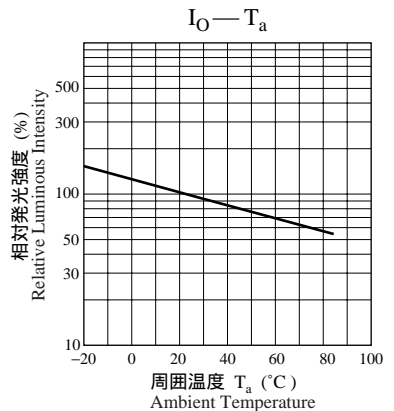
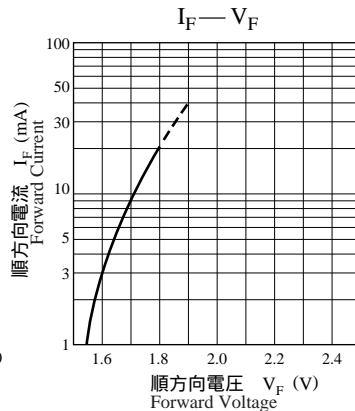
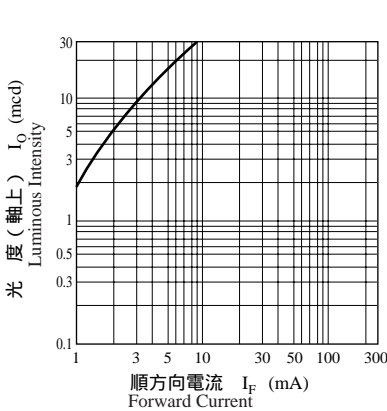
Lighting Color	P(mW)	$I_{\text{FDC}}$ (mA)	$I_{\text{FP}}$ (mA)*	$V_{\text{R}}$ (V)	$T_{\text{opr}}$ ( $^\circ\text{C}$ )	$T_{\text{stg}}$ ( $^\circ\text{C}$ )
Red	60	20	100	3	-30 ~ +85	-40 ~ +100

$I_{\text{FP}}$ の条件は duty 10% ,Pulse width 1 msec. The condition of  $I_{\text{FP}}$  is duty 10%, Pulse width 1 msec



### ■ 電気的光学的特性 Electro-Optical Characteristics ( $T_a = 25^\circ\text{C}$ )

Conventional Part No.	Lighting Color	Lens Color	$I_{\text{O}}$		$I_{\text{F}}$	$V_{\text{F}}$		$\lambda_{\text{P}}$	$\Delta\lambda$	$I_{\text{F}}$	$I_{\text{R}}$	
			Typ	Min		Typ	Max				Max	$V_{\text{R}}$
LNJ218C8TRU	Red	Clear	32	17	10	1.72	2.5	660	20	10	100	3
Unit	—	—	mcd	mcd	mA	V	V	nm	nm	mA	$\mu\text{A}$	V



相对発光強度 — 波長特性  
 Relative Luminous Intensity  
 Wavelength Characteristics

