

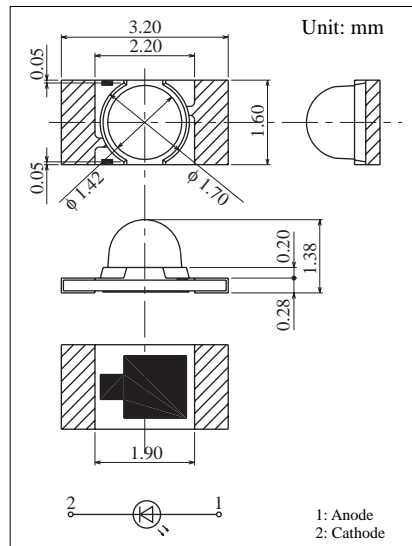
## Dome-Lens Type

Conventional Part No.      Global Part No.      Lighting Color  
 LNJ218C8ARU1 ..... LNJ218C8ARU1 ..... Red

### ■ Absolute Maximum Ratings (T<sub>a</sub> = 25°C)

Lighting Color	P(mW)	I <sub>FDC</sub> (mA)	I <sub>FP</sub> (mA)*	V <sub>R</sub> (V)	T <sub>opr</sub> (°C)	T <sub>stg</sub> (°C)
Red	60	20	100	3	-30 ~ +85	-40 ~ +100

I<sub>FP</sub>の条件は  $\mu$ duty 10% Pulse width 1 msec. The condition of I<sub>FP</sub> is duty 10%, Pulse width 1 msec



### ■ Electro-Optical Characteristics (T<sub>a</sub> = 25°C)

Conventional Part No.	Lighting Color	Lens Color	I <sub>O</sub>			V <sub>F</sub>		$\lambda_p$	$\Delta\lambda$	I <sub>F</sub>	I <sub>R</sub>	
			Typ	Min	I <sub>F</sub>	Typ	Max	Typ	Typ		Max	V <sub>R</sub>
LNJ218C8ARU1	Red	Clear	14	7.4	10	1.72	2.5	660	20	10	100	3
Unit	—	—	mcd	mcd	mA	V	V	nm	nm	mA	$\mu$ A	V

