

Surface Mounting Chip LED

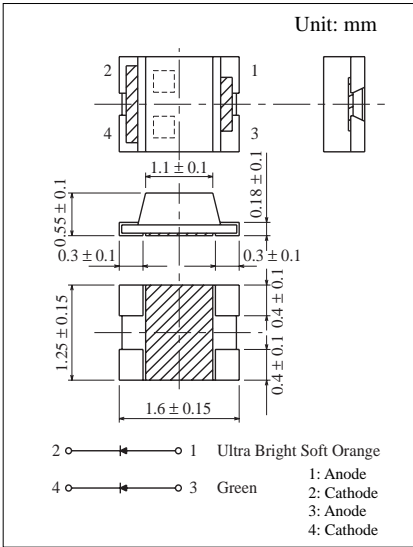
TSS Bi-Color Type

Conventional Part No. Global Part No. Lighting Color
 LNJ115W89RA LNJ115W89RA Green /
 Ultra Bright Soft Orange

Absolute Maximum Ratings (T_a = 25°C)

Lighting Color	P _D (mW)	I _F (mA)	I _{FP} (mA)*	V _R (V)	T _{opr} (°C)	T _{stg} (°C)
Green	60	20	60	4	-30 ~ +85	-40 ~ +100
Ultra Bright Soft Orange	55	20	60	3	-30 ~ +85	-40 ~ +100

I_{FP}の条件は duty 10% Pulse width 1 msec. The condition of I_{FP} is duty 10%, Pulse width 1 msec



Electro-Optical Characteristics (T_a = 25°C)

Conventional Part No.	Lighting Color	Lens Color	I _O			V _F		λ _p	Δλ	I _F	I _R	
			Typ	Min	I _F	Typ	Max	Typ	Typ		Max	V _R
LNJ115W89RA	Green	White Diffused	5.0	1.8	10	2.03	2.6	565	30	10	10	4
	Ultra Bright Soft Orange		21	7	10	1.95	2.5	615	20	10	100	4
Unit	—	—	mcd	mcd	mA	V	V	nm	nm	mA	μA	V

