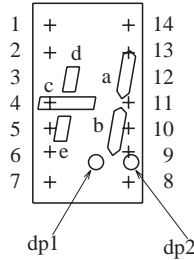


# Numeric Display

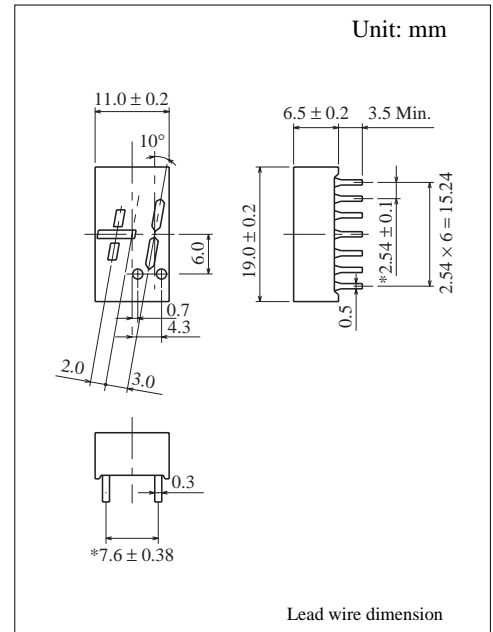
## #/ 11.0 mm (.4") Series

Conventional Part No.	Global Part No.	Lighting Color
LN504R	LNM274ZA01	Red
LN504G	LNM374ZA01	Green
LN504Y	LNM474ZA01	Amber

### Terminal Connection



Pin No.	Assignment
1	Cathode d
2	Anode d
3	—
4	Cathode c
5	Cathode e
6	Anode e
7	Anode c
8	Anode <sup>dp1</sup> dp2
9	Cathode <sup>dp1</sup> dp2
10	Cathode b
11	Cathode a
12	—
13	Anode a
14	Anode b



### ■ Absolute Maximum Ratings ( $T_a = 25^\circ\text{C}$ )

Lighting Color	$P_D$ (mW)	$I_F$ (mA)	$I_{FP}$ (mA)*	$V_R$ (V)	$T_{opr}$ ( $^\circ\text{C}$ )	$T_{stg}$ ( $^\circ\text{C}$ )
Red	60	20	100	5	-25 ~ +80	-30 ~ +85
Green	60	20	100	5	-25 ~ +80	-30 ~ +85
Amber	60	20	100	5	-25 ~ +80	-30 ~ +85

$I_{FP}$ の条件は duty 10% Pulse width 1 msec. The condition of  $I_{FP}$  is duty 10%, Pulse width 1 msec

### ■ Electro-Optical Characteristics ( $T_a = 25^\circ\text{C}$ )

Conventional Part No.	Lighting Color	Common	$I_O$ / seg		$I_O$ / d.p		$V_F$		$\lambda_p$	$\Delta\lambda$	$I_F$	$I_R$	
			Typ	Min	Typ	$I_F$	Typ	Max				Typ	Typ
LN504R	Red	—	450	150	150	5	2.2	2.8	700	100	20	10	5
LN504G	Green	—	1500	500	500	10	2.2	2.8	565	30	20	10	5
LN504Y	Amber	—	600	200	200	10	2.2	2.8	590	30	20	10	5
Unit	—	—	$\mu\text{cd}$	$\mu\text{cd}$	$\mu\text{cd}$	mA	V	V	nm	nm	mA	$\mu\text{A}$	V

