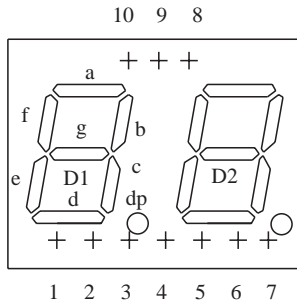


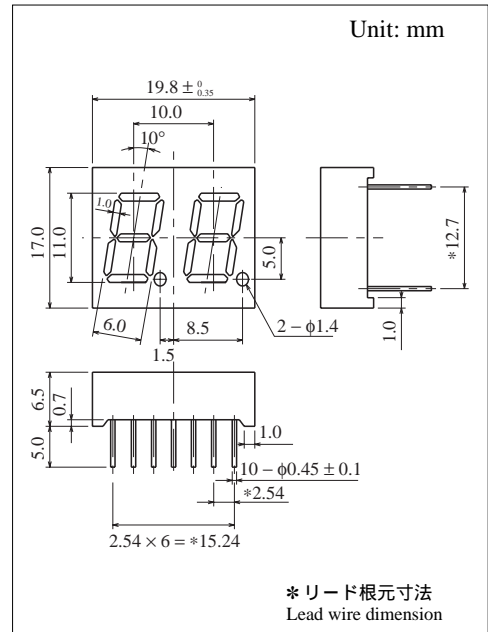
## 2 Digit 11.0 mm (.4") Series

Conventional Part No.	Global Part No.	Lighting Color
LN524YAMY	LNM424AP01	Amber
LN524YKMY	LNM424KP01	Amber
LN524OAMO	LNM824AP01	Orange
LN524OKMO	LNM824KP01	Orange

### 端子接続 Terminal Connection



Pin No.	Assignment	Assignment
1	Cathode e	Anode e
2	Cathode d	Anode d
3	Cathode c	Anode c
4	Cathode dp	Anode dp
5	Cathode b	Anode b
6	Cathode a	Anode a
7	Cathode g	Anode g
8	Cathode f	Anode f
9	Common Anode D2	Common Cathode D2
10	Common Anode D1	Common Cathode D1



### ■ 絶対最大定格 Absolute Maximum Ratings ( $T_a = 25^\circ\text{C}$ )

Lighting Color	$P_D$ (mW)	$I_F$ (mA)	$I_{FP}$ (mA)*	$V_R$ (V)	$T_{opr}$ ( $^\circ\text{C}$ )	$T_{stg}$ ( $^\circ\text{C}$ )
Amber	60	15	100	5	-25 ~ +80	-30 ~ +85
Orange	60	15	100	3	-25 ~ +80	-30 ~ +85

$I_{FP}$ の条件は duty 10% , Pulse width 1 msec. The condition of  $I_{FP}$  is duty 10%, Pulse width 1 msec

### ■ 電気的光学的特性 Electro-Optical Characteristics ( $T_a = 25^\circ\text{C}$ )

Conventional Part No.	Lighting Color	Common	$I_O$ / seg		$I_O$ / d.p	$I_F$	$V_F$		$\lambda_p$	$\Delta\lambda$	$I_F$	$I_R$	
			Typ	Min			Typ	Typ				Typ	Max
LN524YAMY	Amber	Anode	600	200	200	10	2.00	2.8	590	30	10	10	5
LN524YKMY	Amber	Cathode	600	200	200	10	2.00	2.8	590	30	10	10	5
LN524OAMO	Orange	Anode	1200	300	500	10	1.93	2.8	630	40	10	10	3
LN524OKMO	Orange	Cathode	1200	300	500	10	1.93	2.8	630	40	10	10	3
Unit	—	—	$\mu\text{cd}$	$\mu\text{cd}$	$\mu\text{cd}$	mA	V	V	nm	nm	mA	$\mu\text{A}$	V

