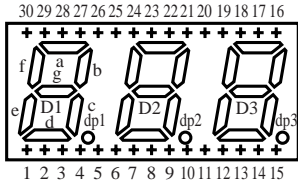


Numeric Display

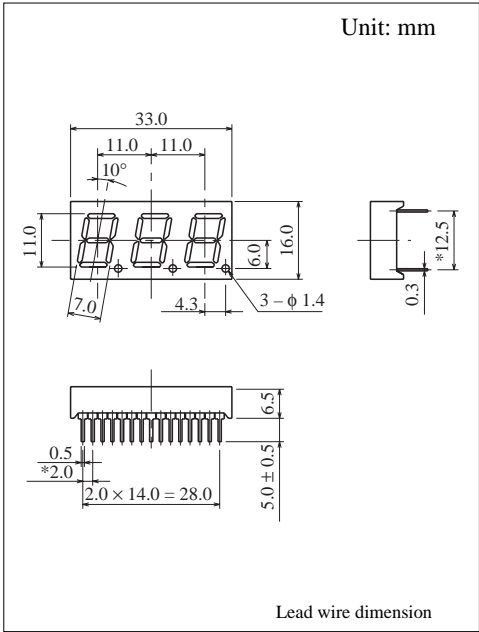
3 Digit 11.0mm (.4") Series

Conventional Part No.	Global Part No.	Lighting Color
LN534YAMY	LN434AA01	Amber
LN534YKMY	LNM434KA01	Amber
LN534OAMO	LNM834AA01	Orange
LN534OKMO	LNM834KA01	Orange

Terminal Connection



Pin No.	Assignment	Assignment
1	Cathode e1	Anode e1
2	Cathode d1	Anode d1
3	Common Anode D1	Common Cathode D1
4	Cathode c1	Anode c1
5	Cathode dp1	Anode dp1
6	Cathode e2	Anode e2
7	Cathode d2	Anode d2
8	Common Anode D2	Common Cathode D2
9	Cathode c2	Anode c2
10	Cathode dp2	Anode dp2
11	Cathode e3	Anode e3
12	Cathode d3	Anode d3
13	Common Anode D3	Common Cathode D3
14	Cathode c3	Anode c3
15	Cathode dp3	Anode dp3
16	Cathode b3	Anode b3
17	Cathode a3	Anode a3
18	Common Anode D3	Common Cathode D3
19	Cathode f3	Anode f3
20	Cathode g3	Anode g3
21	Cathode g2	Anode g2
22	Cathode b2	Anode b2
23	Cathode a2	Anode a2
24	Common Anode D2	Common Cathode D2
25	Cathode f2	Anode f2
26	Cathode g1	Anode g1
27	Cathode b1	Anode b1
28	Cathode a1	Anode a1
29	Common Anode D1	Common Cathode D1
30	Cathode f1	Anode f1



Absolute Maximum Ratings (T_a = 25°C)

Lighting Color	P _D (mW)	I _F (mA)	I _{FP} (mA)*	V _R (V)	T _{opr} (°C)	T _{stg} (°C)
Amber	60	20	100	5	-25 ~ +80	-30 ~ +85
Orange	60	20	100	3	-25 ~ +80	-30 ~ +85

I_{FP}の条件は duty 10% Pulse width 1 msec. The condition of I_{FP} is duty 10%, Pulse width 1 msec

Electro-Optical Characteristics (T_a = 25°C)

Conventional Part No.	Lighting Color	Common	I _O				V _F		λ _p	Δλ	I _F	I _R	
			Typ	Min	Typ	I _F	Typ	Max				Max	V _R
LN534YAMY	Amber	Anode	600	200	200	10	2.2	2.8	590	30	20	10	5
LN534YKMY	Amber	Cathode	600	200	200	10	2.2	2.8	590	30	20	10	5
LN534OAMO	Orange	Anode	1200	300	500	10	2.1	2.8	630	40	20	10	3
LN534OKMO	Orange	Cathode	1200	300	500	10	2.1	2.8	630	40	20	10	3
Unit	—	—	μcd	μcd	μcd	mA	V	V	nm	nm	mA	μA	V

