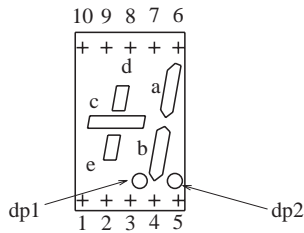


Numeric Display

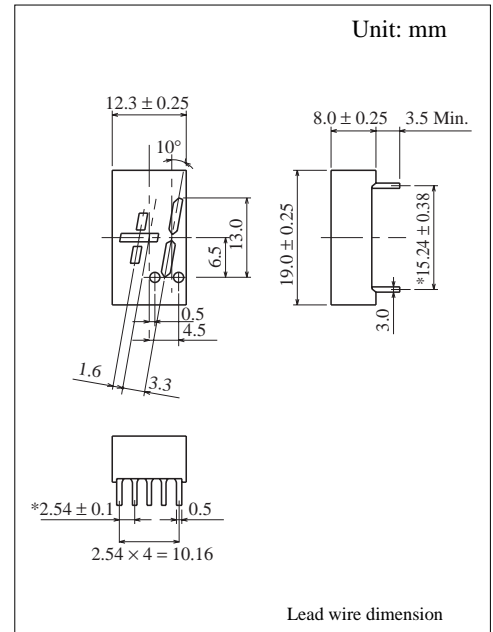
#/ 14.4 mm (.6") Series

Conventional Part No.	Global Part No.	Lighting Color
LN506YA	LNM476AA01	Amber
LN506YK	LNM476KA01	Amber
LN506OA	LNM876AA01	Orange
LN506OK	LNM876KA01	Orange

Terminal Connection



Pin No.	Assignment	Assignment
1	Cathode e	Anode e
2	Common Anode c, d, e	Common Cathode c, d, e
3	Cathode b	Anode b
4	Common Anode a, b, dp1, dp2	Common Cathode a, b, dp1, dp2
5	Cathode dp1, dp2	Anode dp1, dp2
6	Cathode a	Anode a
7	Common Anode a, b, dp1, dp2	Common Cathode a, b, dp1, dp2
8	Common Anode c, d, e	Common Cathode c, d, e
9	Cathode d	Anode d
10	Cathode c	Anode c



Absolute Maximum Ratings ($T_a = 25^\circ\text{C}$)

Lighting Color	P_D (mW)	I_F (mA)	I_{FP} (mA)*	V_R (V)	T_{opr} ($^\circ\text{C}$)	T_{stg} ($^\circ\text{C}$)
Amber	60	20	100	5	-25 ~ +80	-30 ~ +85
Orange	60	20	100	3	-25 ~ +80	-30 ~ +85

I_{FP} の条件は duty 10% Pulse width 1 msec. The condition of I_{FP} is duty 10%, Pulse width 1 msec

Electro-Optical Characteristics ($T_a = 25^\circ\text{C}$)

Conventional Part No.	Lighting Color	Common	I_O / seg		I_O / d.p		I_F	V_F		λ_p	$\Delta\lambda$	I_F	I_R	
			Typ	Min	Typ			Typ	Max				Max	V_R
LN506YA	Amber	Anode	800	300	300	10	2.2	2.8	590	30	20	10	5	
LN506YK	Amber	Cathode	800	300	300	10	2.2	2.8	590	30	20	10	5	
LN506OA	Orange	Anode	1200	300	500	10	2.1	2.8	630	40	20	10	3	
LN506OK	Orange	Cathode	1200	300	500	10	2.1	2.8	630	40	20	10	3	
Unit	—	—	μcd	μcd	μcd	mA	V	V	nm	nm	mA	μA	V	

