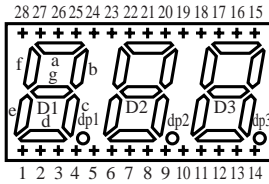


# Numeric Display

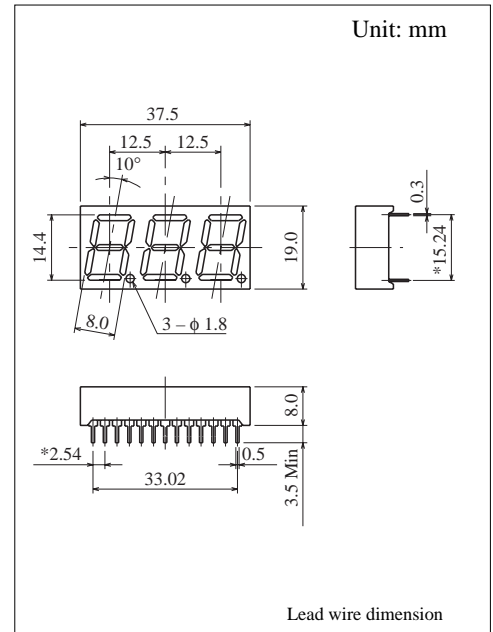
## 3 Digit 14.4mm (.6") Series

Conventional Part No.    Global Part No.    Lighting Color  
 LN536YAMY ..... LNM436AA01 ..... Amber  
 LN536YKMY ..... LNM436KA01 ..... Amber

### Terminal Connection



Pin No.	Assignment	Assignment
1	Cathode e1	Anode e1
2	Cathode d1	Anode d1
3	Common Anode D1	Common Cathode D1
4	Cathode c1	Anode c1
5	Cathode dp1	Anode dp1
6	Cathode e2	Anode e2
7	Cathode d2	Anode d2
8	Cathode c2	Anode c2
9	Cathode dp2	Anode dp2
10	Cathode e3	Anode e3
11	Cathode d3	Anode d3
12	Cathode g3	Anode g3
13	Cathode c3	Anode c3
14	Cathode dp3	Anode dp3
15	Cathode b3	Anode b3
16	Cathode a3	Anode a3
17	Cathode f3	Anode f3
18	Common Anode D3	Common Cathode D3
19	Common Anode D2	Common Cathode D2
20	Cathode b2	Anode b2
21	Cathode g2	Anode g2
22	Cathode f2	Anode f2
23	Cathode b1	Anode b1
24	Cathode f2	Anode f2
25	Cathode a1	Anode a1
26	Common Anode D1	Common Cathode D1
27	Cathode f1	Anode f1
28	Cathode g1	Anode g1



### ■ Absolute Maximum Ratings ( $T_a = 25^\circ\text{C}$ )

Lighting Color	$P_D$ (mW)	$I_F$ (mA)	$I_{FP}$ (mA)*	$V_R$ (V)	$T_{opr}$ ( $^\circ\text{C}$ )	$T_{stg}$ ( $^\circ\text{C}$ )
Amber	50	20	100	5	-25 ~ +80	-30 ~ +85

$I_{FP}$ の条件は、duty 10%、Pulse width 1 msec. The condition of  $I_{FP}$  is duty 10%, Pulse width 1 msec

### ■ Electro-Optical Characteristics ( $T_a = 25^\circ\text{C}$ )

Conventional Part No.	Lighting Color	Common	$I_O$				$V_F$				$I_F$	$I_R$	
			Typ	Min	Typ	$I_F$	Typ	Max	Typ	Typ		Max	$V_R$
LN536YAMY	Amber	Anode	800	300	300	10	2.0	2.8	590	30	10	10	5
LN536YKMY	Amber	Cathode	800	300	300	10	2.0	2.8	590	30	10	10	5
Unit	—	—	$\mu\text{cd}$	$\mu\text{cd}$	$\mu\text{cd}$	mA	V	V	nm	nm	mA	$\mu\text{A}$	V

