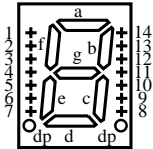


Numeric Display

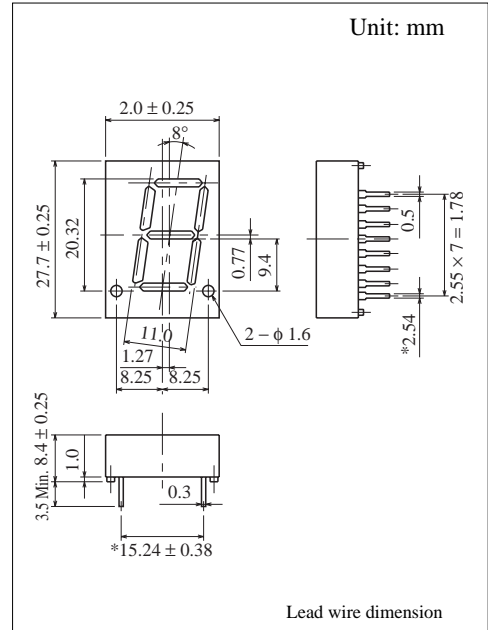
1 Digit 20.32 mm (.8") Series

Conventional Part No.	Global Part No.	Lighting Color
LN518RA	LNM218AA03	Red
LN518RK	LNM218KA03	Red
LN518GA	LNM318AA03	Green
LN518GK	LNM318KA03	Green

Terminal Connection



Pin No.	Assignment	Assignment
1	Cathode a	Anode a
2	Cathode f	Anode f
3	Common Anode	Common Cathode
4	Cathode e	Anode e
5	Common Anode	Common Cathode
6	Cathode dp1	Anode dp1
7	Common Anode	Common Cathode
8	Cathode dp2	Anode dp2
9	Cathode d	Anode d
10	Common Anode	Common Cathode
11	Cathode c	Anode c
12	Cathode g	Anode g
13	Cathode b	Anode b
14	Common Anode	Common Cathode



Absolute Maximum Ratings ($T_a = 25^\circ\text{C}$)

Lighting Color	P_D (mW)	I_F (mA)	I_{FP} (mA)*	V_R (V)	T_{opr} ($^\circ\text{C}$)	T_{stg} ($^\circ\text{C}$)
Red	60	20	100	5	-25 ~ +80	-30 ~ +85
Green	60	20	100	5	-25 ~ +80	-30 ~ +85

I_{FP} の条件は duty 10% Pulse width 1 msec. The condition of I_{FP} is duty 10%, Pulse width 1 msec

Electro-Optical Characteristics ($T_a = 25^\circ\text{C}$)

Conventional Part No.	Lighting Color	Common	I_O / seg		I_O / d.p	I_F	V_F		λ_p	$\Delta\lambda$	I_F	I_R	
			Typ	Min			Typ	Typ				Max	Max
LN518RA	Red	Anode	450	150	150	5	2.2	2.8	700	100	20	10	5
LN518RK	Red	Cathode	450	150	150	5	2.2	2.8	700	100	20	10	5
LN518GA	Green	Anode	1500	500	500	10	2.2	2.8	565	30	20	10	5
LN518GK	Green	Cathode	1500	500	500	10	2.2	2.8	565	30	20	10	5
Unit	—	—	μcd	μcd	μcd	mA	V	V	nm	nm	mA	μA	V

