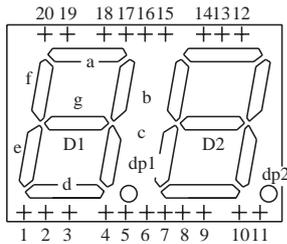


Numeric Display

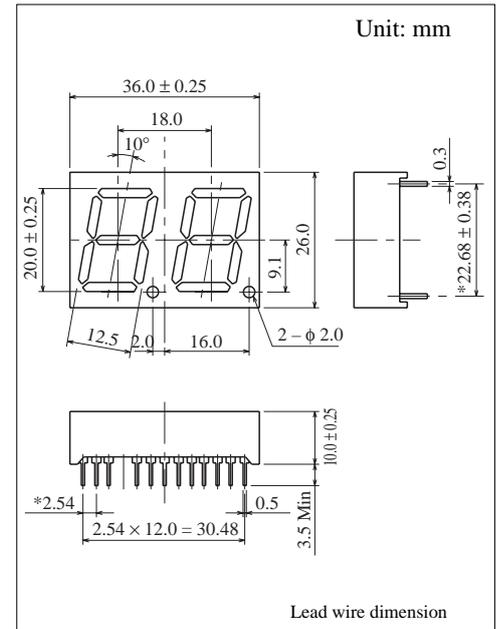
2 Digit 20.0mm (.8") Series

Conventional Part No.	Global Part No.	Lighting Color
LN528RA	LNM228AA01	Red
LN528RK	LNM228KA01	Red
LN528GA	LNM328AA01	Green
LN528GK	LNM328KA01	Green

Terminal Connection



Pin No.	Assignment	Assignment
1	Cathode e1	Anode e1
2	Cathode d1	Anode d1
3	Common Anode D1	Common Cathode D1
4	Cathode c1	Anode c1
5	Cathode dp1	Anode dp1
6	Cathode e2	Anode e2
7	Cathode d2	Anode d2
8	Common Anode D2	Common Cathode D2
9	Cathode g2	Anode g2
10	Cathode c2	Anode c2
11	Cathode dp2	Anode dp2
12	Cathode b2	Anode b2
13	Cathode a2	Anode a2
14	Cathode f2	Anode f2
15	Common Anode D2	Common Cathode D2
16	Common Anode D1	Common Cathode D1
17	Cathode b1	Anode b1
18	Cathode a1	Anode a1
19	Cathode g1	Anode g1
20	Cathode f1	Anode f1



Absolute Maximum Ratings ($T_a = 25^\circ\text{C}$)

Lighting Color	P_D (mW)	I_F (mA)	I_{FP} (mA)*	V_R (V)	T_{opr} ($^\circ\text{C}$)	T_{stg} ($^\circ\text{C}$)
Red	60	20	100	5	-25 ~ +80	-30 ~ +85
Green	60	20	100	5	-25 ~ +80	-30 ~ +85

I_{FP} の条件は duty 10% Pulse width 1 msec. The condition of I_{FP} is duty 10%, Pulse width 1 msec

Electro-Optical Characteristics ($T_a = 25^\circ\text{C}$)

Conventional Part No.	Lighting Color	Common	I_O		I_F	V_F		λ_p	$\Delta\lambda$	I_F	I_R		
			Typ	Min		Typ	Max				Max	V_R	
LN528RA	Red	Anode	450	150	150	5	2.2	2.8	700	100	20	10	5
LN528RK	Red	Cathode	450	150	150	5	2.2	2.8	700	100	20	10	5
LN528GA	Green	Anode	1500	500	500	10	2.2	2.8	565	30	20	10	5
LN528GK	Green	Cathode	1500	500	500	10	2.2	2.8	565	30	20	10	5
Unit	—	—	μcd	μcd	μcd	mA	V	V	nm	nm	mA	μA	V

