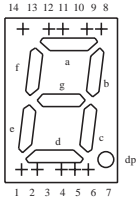


Numeric Display

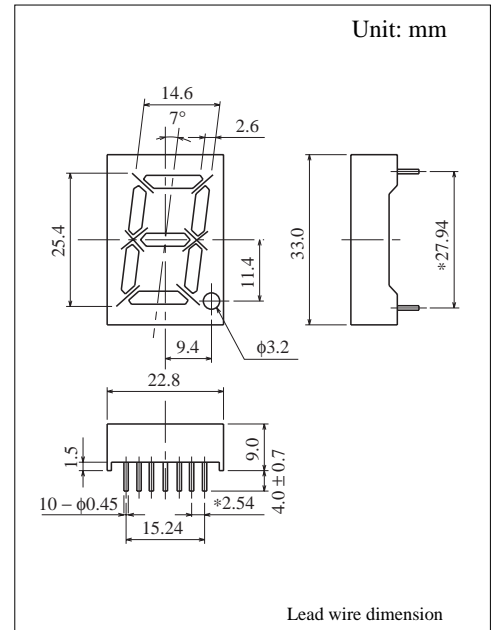
1 Digit 25.4 mm (1.0") Series

Conventional Part No.	Global Part No.	Lighting Color
LN5110GAMW	LNM311AP03	Green
LN5110GKMW	LNM311KP03	Green
LN5110OAMW	LNM811AA03	Orange
LN5110OKMW	LNM811KA03	Orange

Terminal Connection



Pin No.	Assignment	Assignment
1	Cathode e	Anode e
2	Cathode d	Anode d
3	_____	_____
4	Common Anode	Common Cathode
5	Cathode c	Anode c
6	Cathode dp	Anode dp
7	_____	_____
8	Cathode b	Anode b
9	Cathode a	Anode a
10	_____	_____
11	Common Anode	Common Cathode
12	Cathode f	Anode f
13	_____	_____
14	Cathode g	Anode g



Absolute Maximum Ratings ($T_a = 25^\circ\text{C}$)

Lighting Color	P_D (mW)	I_F (mA)	I_{FP} (mA)*	V_R (V)	T_{opr} ($^\circ\text{C}$)	T_{stg} ($^\circ\text{C}$)
Green	110	20	100	5	-25 ~ +80	-30 ~ +85
Orange	110	20	100	3	-25 ~ +80	-30 ~ +85

I_{FP} の条件は duty 10% Pulse width 1 msec. The condition of I_{FP} is duty 10%, Pulse width 1 msec

Electro-Optical Characteristics ($T_a = 25^\circ\text{C}$)

Conventional Part No.	Lighting Color	Common	I_O / seg		I_O / d.p	I_F	V_F		λ_p	$\Delta\lambda$	I_F	I_R	
			Typ	Min			Typ	Typ				Max	Max
LN5110GAMW	Green	Anode	3.5	1.4	1.2	10	4.4	5.6	565	30	20	10	10
LN5110GKMW	Green	Cathode	3.5	1.4	1.2	10	4.4	5.6	565	30	20	10	10
LN5110OAMW	Orange	Anode	3.0	1.2	1.0	10	4.2	5.6	630	40	20	10	6
LN5110OKMW	Orange	Cathode	3.0	1.2	1.0	10	4.2	5.6	630	40	20	10	6
Unit	—	—	μcd	μcd	μcd	mA	V	V	nm	nm	mA	μA	V

