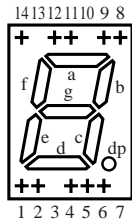


# Numeric Display

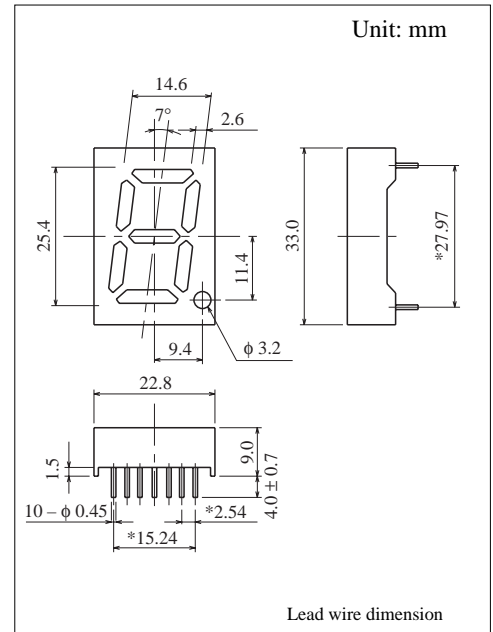
## Two Color Lighting 1 Digit 25.4 mm (1.0") Series

Conventional Part No.      Global Part No.      Lighting Color  
LN5110OGAMW ..... LNM111AP01B ..... Orange, Green

### Terminal Connection



Pin No.	Assignment
1	Cathode e (Orange, Green)
2	Cathode d (Orange, Green)
3	—
4	Common Anode (Green)
5	Cathode c (Orange, Green)
6	Cathode dp (Orange, Green)
7	—
8	Cathode b (Orange, Green)
9	Cathode a (Orange, Green)
10	—
11	Common Anode (Orange)
12	Cathode f (Orange, Green)
13	—
14	Cathode g (Orange, Green)



### ■ Absolute Maximum Ratings ( $T_a = 25^\circ\text{C}$ )

Lighting Color	$P_D$ (mW)	$I_F$ (mA)	$I_{FP}$ (mA)*	$V_R$ (V)	$T_{opr}$ ( $^\circ\text{C}$ )	$T_{stg}$ ( $^\circ\text{C}$ )
Orange	110	20	100	3	-25 ~ +80	-30 ~ +85
Green	110	20	100	5	-25 ~ +80	-30 ~ +85

$I_{FP}$ の条件は  $\mu$ duty 10% Pulse width 1 msec. The condition of  $I_{FP}$  is duty 10%, Pulse width 1 msec

### ■ Electro-Optical Characteristics ( $T_a = 25^\circ\text{C}$ )

Conventional Part No.	Lighting Color	Common	$I_O$ /seg		$I_O$ /d.p		$I_F$	$V_F$		$\lambda_p$	$\Delta\lambda$	$I_F$	$I_R$	
			Typ	Min	Typ			Typ	Max				Max	$V_R$
LN5110OGAMW	Orange	Anode	5.0	2.5	1.5	15	4.2	5.6	630	40	20	10	6	
	Green		6.0	2.5	2.0	15	4.2	5.6	565	30	20	10	10	
Unit	—	—	$\mu\text{cd}$	$\mu\text{cd}$	$\mu\text{cd}$	mA	V	V	nm	nm	mA	$\mu\text{A}$	V	

