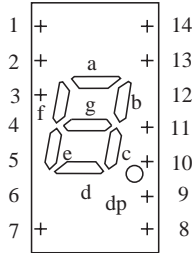


# Numeric Display

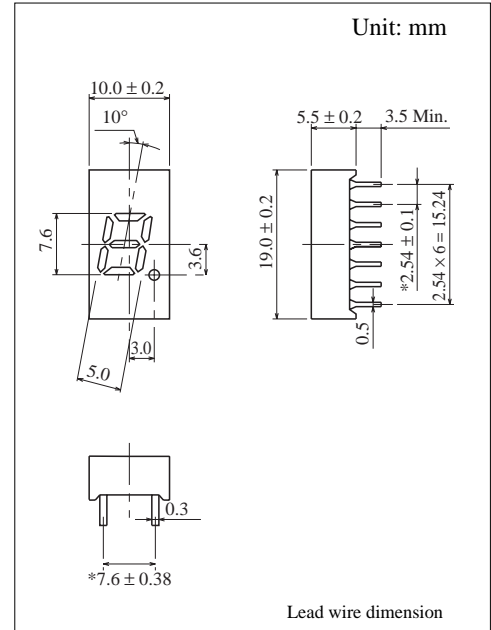
## 1 Digit 7.6 mm (.3") Series

Conventional Part No.	Global Part No.	Lighting Color
LN513YA	LNM413AA01	Amber
LN513YK	LNM413KA01	Amber
LN513OA	LNM813AA01	Orange
LN513OK	LNM813KA01	Orange

### Terminal Connection



Pin No.	Assignment	Assignment
1	Cathode a	Anode a
2	Cathode f	Anode f
3	Common Anode	Common Cathode
4	—	—
5	—	—
6	—	—
7	Cathode e	Anode e
8	Cathode d	Anode d
9	Cathode dp	Anode dp
10	Cathode c	Anode c
11	Cathode g	Anode g
12	—	—
13	Cathode b	Anode b
14	Common Anode	Common Cathode



### Absolute Maximum Ratings (T<sub>a</sub> = 25°C)

Lighting Color	P <sub>D</sub> (mW)	I <sub>F</sub> (mA)	I <sub>FP</sub> (mA)*	V <sub>R</sub> (V)	T <sub>opr</sub> (°C)	T <sub>stg</sub> (°C)
Amber	60	20	100	5	-25 ~ +80	-30 ~ +85
Orange	60	20	100	3	-25 ~ +80	-30 ~ +85

I<sub>FP</sub>の条件は duty 10% Pulse width 1 msec. The condition of I<sub>FP</sub> is duty 10%, Pulse width 1 msec

### Electro-Optical Characteristics (T<sub>a</sub> = 25°C)

Conventional Part No.	Lighting Color	Common	I <sub>O</sub> / seg		I <sub>O</sub> / d.p		I <sub>F</sub>	V <sub>F</sub>		λ <sub>p</sub>	Δλ	I <sub>R</sub>	
			Typ	Min	Typ	I <sub>F</sub>		Typ	Max			Typ	V <sub>R</sub>
LN513YA	Amber	Anode	600	200	200	10	2.2	2.8	590	30	20	10	5
LN513YK	Amber	Cathode	600	200	200	10	2.2	2.8	590	30	20	10	5
LN513OA	Orange	Anode	1000	300	400	10	2.1	2.8	630	40	20	10	3
LN513OK	Orange	Cathode	1000	300	400	10	2.1	2.8	630	40	20	10	3
Unit	—	—	μcd	μcd	μcd	mA	V	V	nm	nm	mA	μA	V

