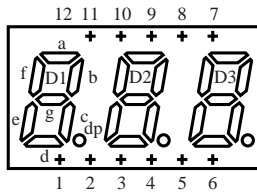


Numeric Display

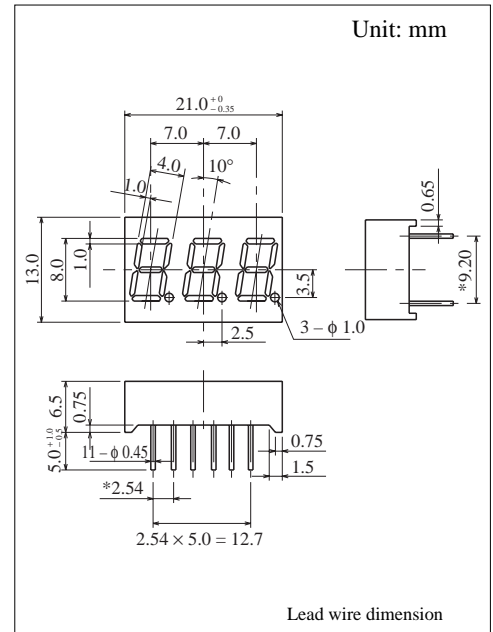
3 Digit 8.0mm (.3") Series

Conventional Part No.	Global Part No.	Lighting Color
LN533RAMRS	LNM233AS02	Red
LN533RKMRS	LNM233KS02	Red
LN533GAMGS	LNM333AS02	Green
LN533GKMGS	LNM333KS02	Green

Terminal Connection



Pin No.	Assignment	Assignment
1	Cathode c	Anode c
2	Common Anode D1	Common Cathode D1
3	Cathode d	Anode d
4	Common Anode D2	Common Cathode D2
5	Common Anode D3	Common Cathode D3
6	Cathode dp	Anode dp
7	Cathode b	Anode b
8	Cathode f	Anode f
9	Cathode a	Anode a
10	Cathode e	Anode e
11	Cathode g	Anode g
12	No Pin	No Pin



Absolute Maximum Ratings ($T_a = 25^\circ\text{C}$)

Lighting Color	P_D (mW)	I_F (mA)	I_{FP} (mA)*	V_R (V)	T_{opr} ($^\circ\text{C}$)	T_{stg} ($^\circ\text{C}$)
Red	34	12	65	5	-25 ~ +80	-30 ~ +85
Green	34	12	65	5	-25 ~ +80	-30 ~ +85

I_{FP} の条件は duty 10% Pulse width 1 msec. The condition of I_{FP} is duty 10%, Pulse width 1 msec

Electro-Optical Characteristics ($T_a = 25^\circ\text{C}$)

Conventional Part No.	Lighting Color	Common	I_O		$I_O/d.p$	I_F	V_F		λ_p	$\Delta\lambda$	I_F	I_R	
			Typ	Min			Typ	Max				Max	V_R
LN533RAMRS	Red	Anode	200	70	70	5	2.03	2.8	700	100	10	10	5
LN533RKMRS	Red	Cathode	200	70	70	5	2.03	2.8	700	100	10	10	5
LN533GAMGS	Green	Anode	1000	300	300	10	2.03	2.8	565	30	10	10	5
LN533GKMGS	Green	Cathode	1000	300	300	10	2.03	2.8	565	30	10	10	5
Unit	—	—	μcd	μcd	μcd	mA	V	V	nm	nm	mA	μA	V

