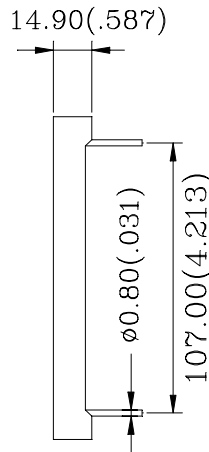
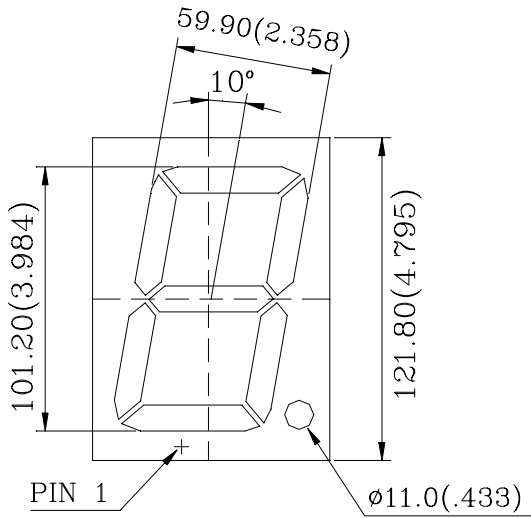


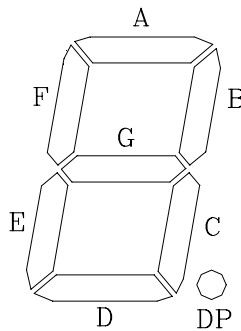
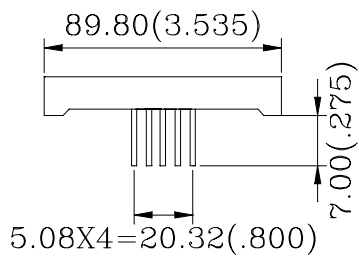
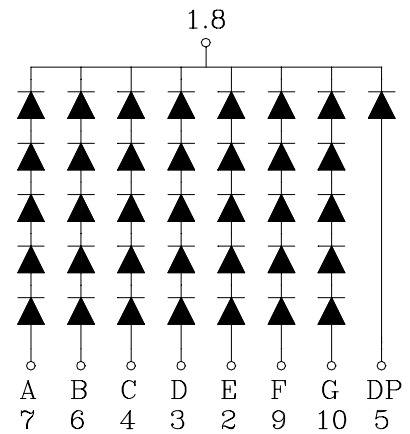
C/A-4001X-5 SINGLE DIGIT DISPLAY

Shape	Part No.		Chip		Wave Length λ_p (nm)	Electro-Optical Characteristics			Fig. No.
	Common Cathode	Common Anode	Raw Material	Emitted Color		Vf(V)20mA		lv(ucd)10mA	
						Typ.	Max.	Typ.	
	C-4001H-5	A-4001H-5	GaP	Red	700	10.5	12.5	4000	D23
	C-4001E-5	A-4001E-5	GaAsP/GaP	Hi. effi Red	635	10.0	12.5	9000	
	C-4001G-5	A-4001G-5	GaP	Green	565	10.5	12.5	8000	
	C-4001Y-5	A-4001Y-5	GaAsP/GaP	Yellow	585	10.5	12.5	8000	
	C-4001SR-5	A-4001SR-5	GaAlAs	Super Red	660	9.5	10.5	50000	

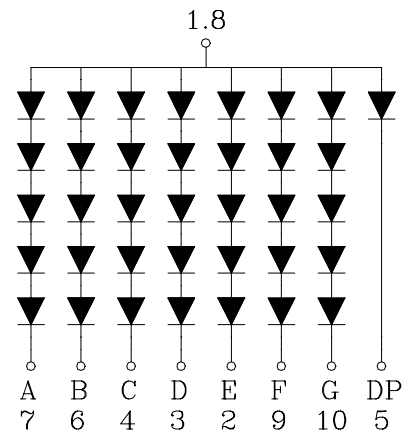
Fig.D23



C-4001X-5



A-4001X-5



- 1.All dimension are in millimeters (inches).
- 2.Tolerance is ± 0.25 mm (0.01") unless otherwise specified.