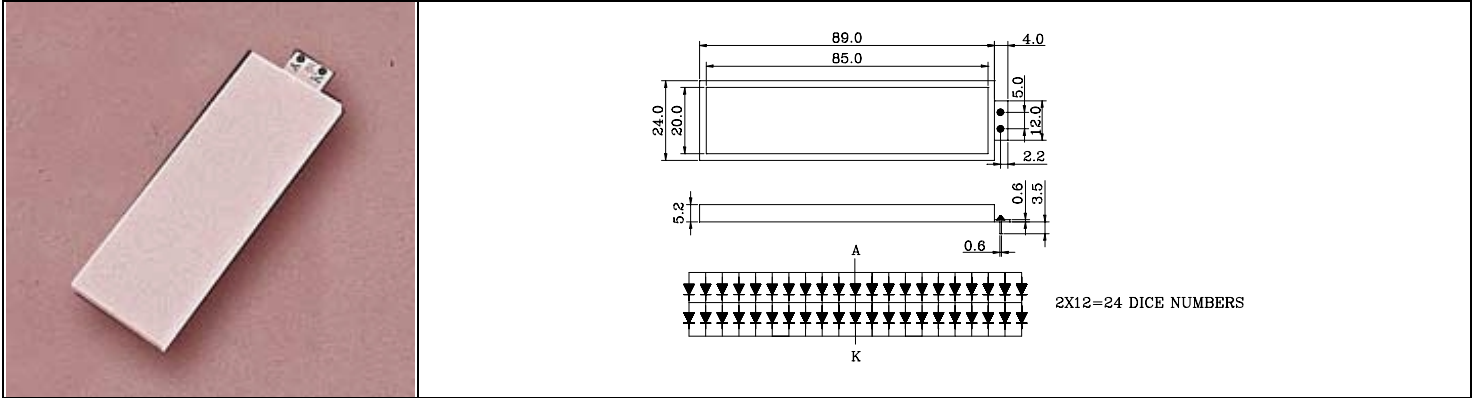


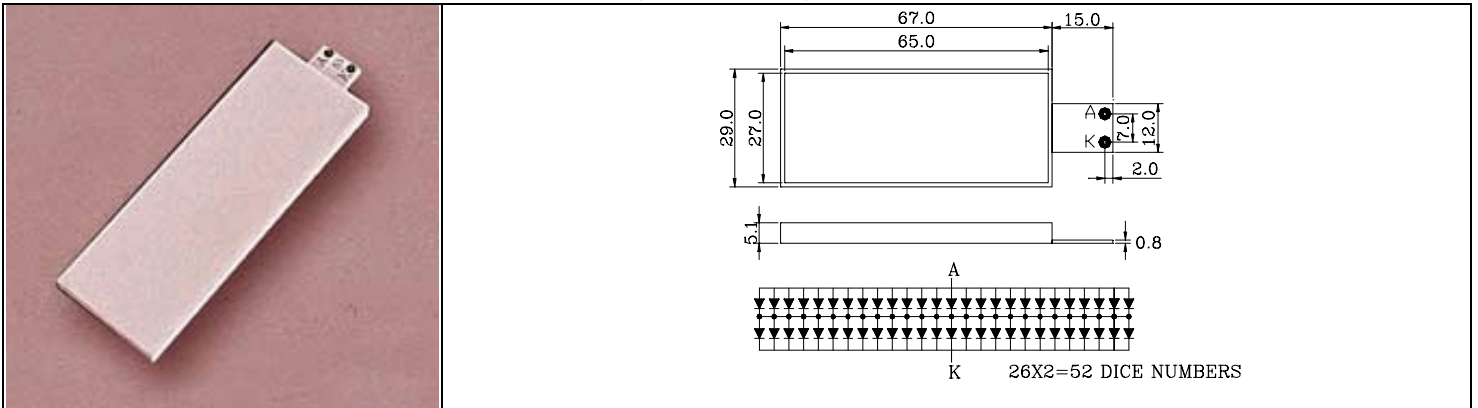


K-04211GX-P LCD BACK LIGHT, COB TYPE, LCD CHARACTER 20 X 2



Part No.	Luminous Area (mm)	Chip		Wave Length λ p(nm)	Electro-Optical Characteristics		
		Raw Material	Emitted Color		Input Current	I_v (cd/m ²) Typ.	Vf(V) Typ.
K-04211GX-P	20.0X85.0mm	GaP	Yellow Green	570	$I_F=210\text{mA}$	150	4.2

K-05205GX LCD BACK LIGHT, COB TYPE, LCD CHARACTER 16 X 4



Part No.	Luminous Area (mm)	Chip		Wave Length λ p(nm)	Electro-Optical Characteristics		
		Raw Material	Emitted Color		Input Current	I_v (cd/m ²) Typ.	Vf(V) Typ.
K-05205GX	27.0X65.0mm	GaP	Yellow Green	570	$I_F=260\text{mA}$	140	4.2

- 1.All dimension are in millimeters.
- 2.Tolerance is ± 0.20 mm unless otherwise specified.