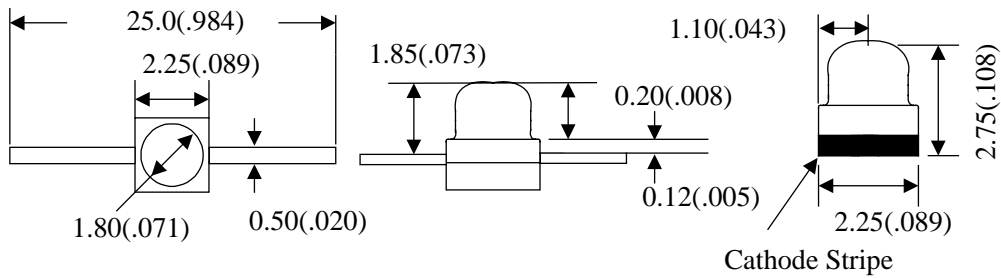


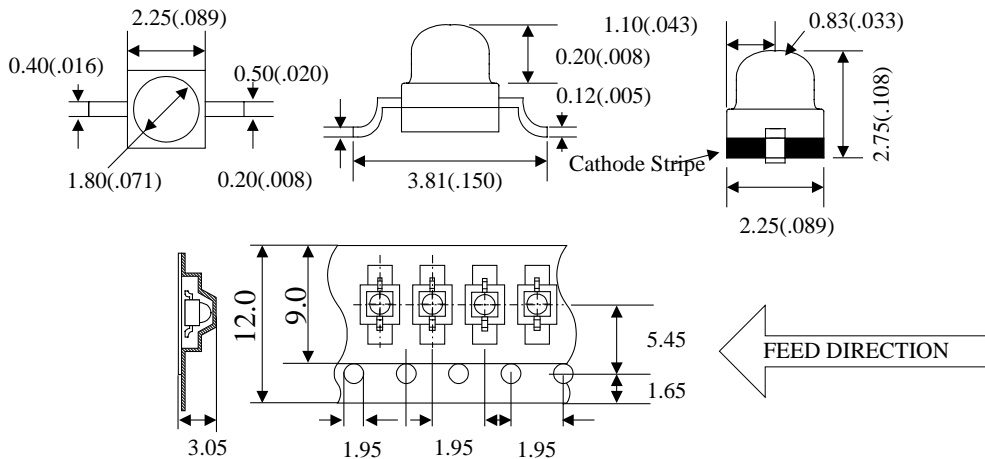
◆ PACKAGE DIMENSIONS



Part No.	Chip		Lens Color	Wave Length λ p(nm)	Electro-Optical Characteristics			View Angle (deg)
	Raw Material	Emitted Color			Vf(V)20mA		Iv(mcd)10mA	
					Typ.	Max.	Typ.	
L-180GC	GaP	Green	Water Clear	565	2.1	2.8	80	24
L-180YC	GaAsP/GaP	Yellow	Water Clear	585	2.0	2.8	45	24
L-180EC	GaAsP/GaP	Hi.effi Red	Water Clear	635	2.0	2.8	50	24
L-180SRC	GaAlAs	Super Red	Water Clear	660	1.7	2.4	350	24
L-180LRC	GaAlAs	Super Red	Water Clear	660	1.7	2.4	600	24
L-180UYC	GaAlInP	Super Yellow	Water Clear	592	2.0	2.6	1300	24

L-180XX-TR7 1.8mm AXIAL LED (GULL WING)

◆ PACKAGE DIMENSIONS



Loaded quantity per reel : 1500 pcs/reel

Part No.	Chip		Lens Color	Wave Length λ p(nm)	Electro-Optical Characteristics			View Angle (deg)
	Raw Material	Emitted Color			Vf(V)20mA		Iv(mcd)10mA	
					Typ.	Max.	Typ.	
L-180GC-TR7	GaP	Green	Water Clear	565	2.1	2.8	80	24
L-180YC-TR7	GaAsP/GaP	Yellow	Water Clear	585	2.0	2.8	45	24
L-180EC-TR7	GaAsP/GaP	Hi.effi Red	Water Clear	635	2.0	2.8	50	24
L-180SRC-TR7	GaAlAs	Super Red	Water Clear	660	1.7	2.4	350	24
L-180LRC-TR7	GaAlAs	Super Red	Water Clear	660	1.7	2.4	600	24
L-180UYC-TR7	GaAlInP	Super Yellow	Water Clear	592	2.0	2.6	1300	24

- 1.All dimension are in millimeters (inches).
- 2.Tolerance is ± 0.25 mm (0.01") unless otherwise specified.