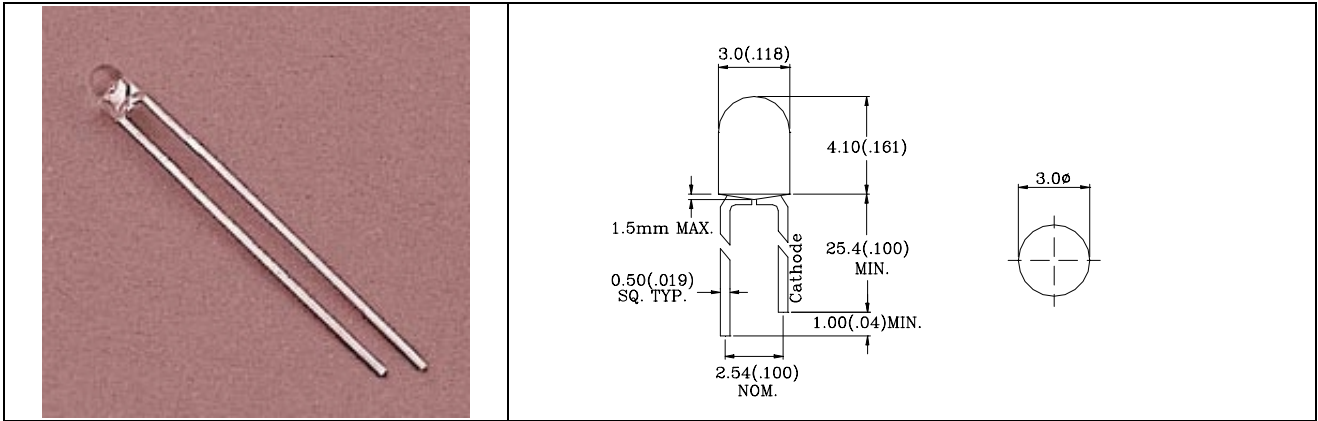


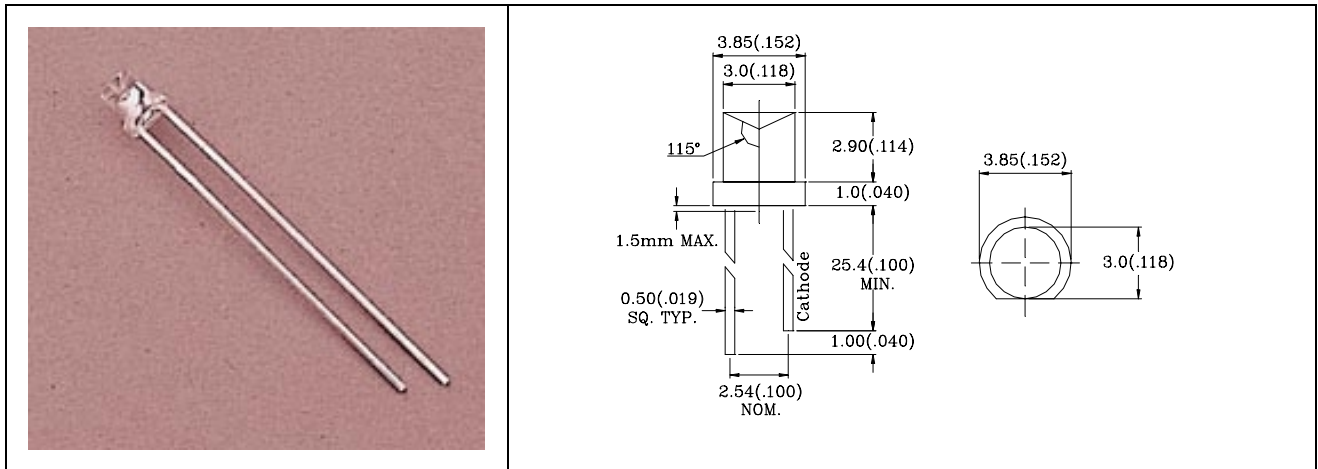


### L-304XX 3.0 mm Dia FLANGELESS LED LAMP



Part No.	Chip		Lens Color	Wave Length $\lambda$ p(nm)	Electro-Optical Characteristics			View Angle (deg)
	Raw Material	Emitted Color			Vf(V)20mA		lv(mcd)10mA	
					Typ.	Max.	Typ.	
L-304HD	GaP	Red	Red Diffused	700	2.1	2.8	6.0	60
L-304GD	GaP	Green	Green Diffused	565	2.1	2.8	12.5	60
L-304YD	GaAsP/GaP	Yellow	Yellow Diffused	585	2.1	2.8	12.5	60
L-304ED	GaAsP/GaP	Hi.effi Red	Red Diffused	635	2.0	2.8	20.0	60
L-304SRD	GaAlAs	Super Red	Red Diffused	660	1.8	2.4	100.0	60

### L-334XX 3.0 mm Dia CYLINDRICAL BACKLIGHTING LED LAMP



Part No.	Chip		Lens Color	Wave Length $\lambda$ p(nm)	Electro-Optical Characteristics			View Angle (deg)
	Raw Material	Emitted Color			Vf(V)20mA		lv(mcd)10mA	
					Typ.	Max.	Typ.	
L-334HD	GaP	Red	Red Diffused	700	2.1	2.8	3.0	180
L-334GD	GaP	Green	Green Diffused	565	2.1	2.8	6.0	180
L-334YD	GaAsP/GaP	Yellow	Yellow Diffused	585	2.1	2.8	6.0	180
L-334ED	GaAsP/GaP	Hi.effi Red	Red Diffused	635	2.0	2.8	8.0	180
L-334SRD	GaAlAs	Super Red	Red Diffused	660	1.8	2.4	50.0	180

1. All dimension are in millimeters (inches).

2. Tolerance is  $\pm 0.25$  mm (0.01") unless otherwise specified.