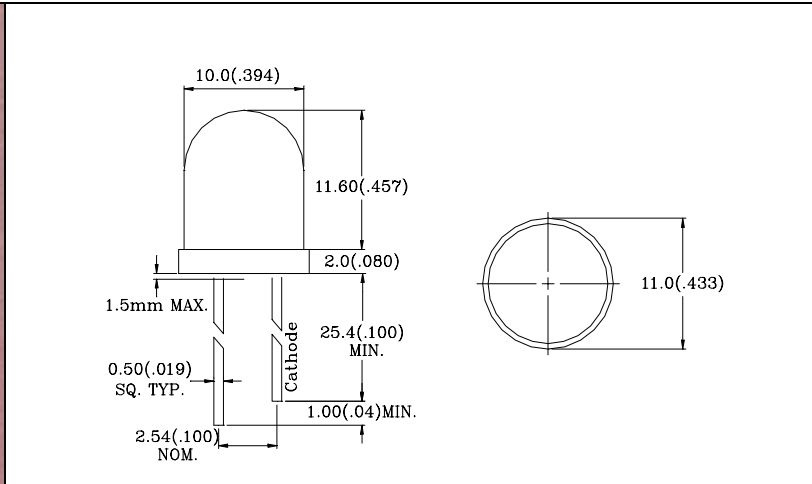
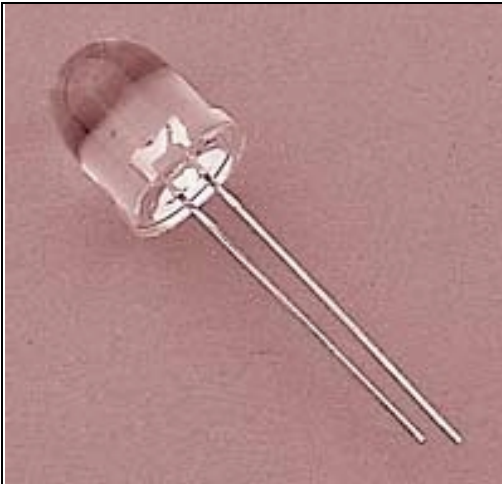


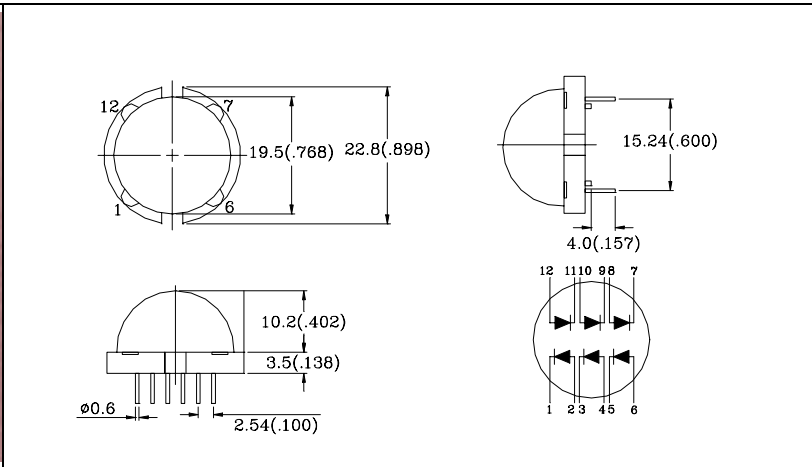
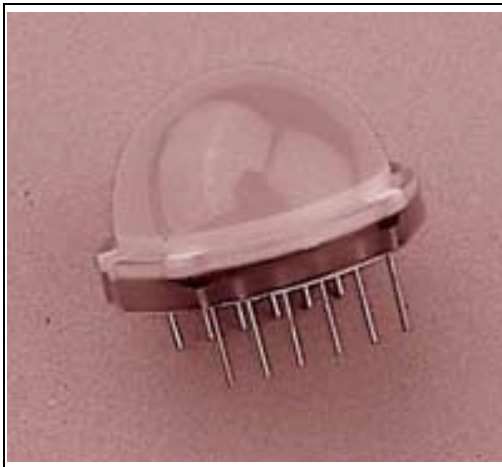


### L-833XX 10.0mm Dia LED LAMP



| Part No. | Chip         |               | Lens Color      | Wave Length<br>$\lambda$ p(nm) | Electro-Optical Characteristics |      |             | View Angle (deg) |
|----------|--------------|---------------|-----------------|--------------------------------|---------------------------------|------|-------------|------------------|
|          | Raw Material | Emitted Color |                 |                                | Vf(V)20mA                       |      | Iv(mcd)10mA |                  |
|          |              |               |                 |                                | Typ.                            | Max. | Typ.        |                  |
| L-833HD  | GaP          | Red           | Red Diffused    | 700                            | 2.1                             | 2.8  | 7.5         | 60               |
| L-833GD  | GaP          | Green         | Green Diffused  | 565                            | 2.1                             | 2.8  | 15.0        | 60               |
| L-833YD  | GaAsP/GaP    | Yellow        | Yellow Diffused | 585                            | 2.1                             | 2.8  | 15.0        | 60               |
| L-833ED  | GaAsP/GaP    | Hi. effi Red  | Red Diffused    | 635                            | 2.0                             | 2.8  | 20.0        | 60               |
| L-833SRD | GaAlAs       | Super Red     | Red Diffused    | 660                            | 1.8                             | 2.4  | 200         | 60               |

### L-873XX 20.0mm Dia BIG LED LAMP



| Part No. | Chip         |               | Lens Color      | Wave Length<br>$\lambda$ p(nm) | Electro-Optical Characteristics |      |             | View Angle (deg) |
|----------|--------------|---------------|-----------------|--------------------------------|---------------------------------|------|-------------|------------------|
|          | Raw Material | Emitted Color |                 |                                | Vf(V)20mA                       |      | Iv(mcd)10mA |                  |
|          |              |               |                 |                                | Typ.                            | Max. | Typ.        |                  |
| L-873HD  | GaP          | Red           | Red Diffused    | 700                            | 2.1                             | 2.8  | 10.0        | 120              |
| L-873GD  | GaP          | Green         | Green Diffused  | 565                            | 2.1                             | 2.8  | 20.0        | 120              |
| L-873YD  | GaAsP/GaP    | Yellow        | Yellow Diffused | 585                            | 2.1                             | 2.8  | 20.0        | 120              |
| L-873ED  | GaAsP/GaP    | Hi. effi Red  | Red Diffused    | 635                            | 2.0                             | 2.8  | 25.0        | 120              |
| L-873SRD | GaAlAs       | Super Red     | Red Diffused    | 660                            | 1.8                             | 2.4  | 100         | 120              |

1. All dimension are in millimeters (inches).
2. Tolerance is  $\pm 0.25$  mm (0.01") unless otherwise specified.