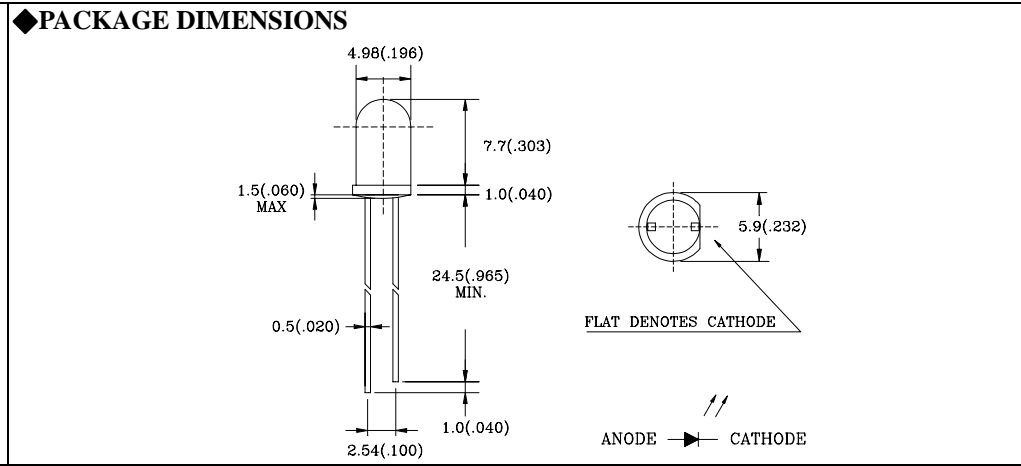




L-51XEIR3XX 5.0mm INFRARED EMITTING DIODE



◆ABSOLUTE MAXIMUM RATING: (Ta=25°C)

Part No.	P _D (mw)	V _R (V)	Topr	Tstg
L-51XEIR3XX	100	5	-35°C to 85°C	-35°C to 85°C
PARAMETER	Power Dissipation	Reverse Voltage	Operating Temperature Range	Storage Temperature Range

Lead Soldering Temperature { 1.6mm (0.063 inch) From Body } 250°C ±5°C For 3 Seconds

◆ELECTRO-OPTICAL CHARACTERISTICS: (Ta=25°C)

Part No.	V _F (V)			I _R (uA)			λ _P (nm)			2θ 1/2 (Age)			I _e (mw/sr)		
	Min	Typ	Max	Min	Typ	Max	Min	Typ	Max	Min	Typ	Max	Min	Typ	Max
L-514EIR3C		1.6	1.8			10		865			20		30	60	
L-515EIR3C		1.6	1.8			10		865			25		28	55	
L-516EIR3C		1.6	1.8			10		865			30		26	50	
L-517EIR3C		1.6	1.8			10		865			35		24	45	
L-518EIR3C		1.6	1.8			10		865			40		22	40	
L-51AEIR3C		1.6	1.8			10		865			50		20	30	
L-516EIR3D2		1.6	1.8			10		865			30		22	40	
TEST CONDITION	I _F =20mA I _F =100mA			V _R = 5V			I _F = 20mA			I _F =20mA			I _F = 20mA		

D2=BLACK

- All dimension are in millimeter (inches).
- Tolerance is ±0.25mm(0.01”)unless otherwise specified.