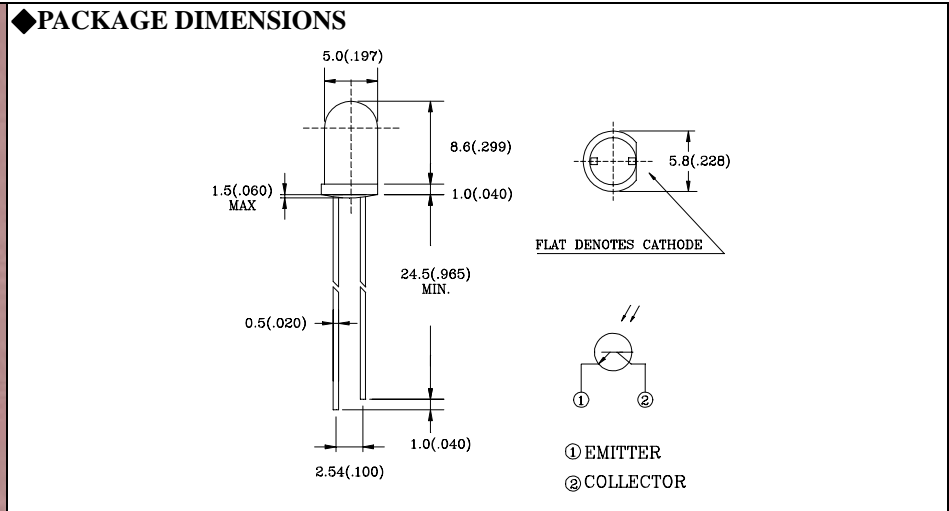




**L-51XXIR1BC 5.0mm INFRARED EMITTING DIODE**



**◆ABSOLUTE MAXIMUM RATING: (Ta=25°C)**

Part No.	P <sub>D</sub> (mw)	V <sub>R</sub> (V)	Topr	Tstg
L-51XXIR1BC	100	5	-35°C to 85°C	-35°C to 85°C
PARAMETER	Power Dissipation	Reverse Voltage	Operating Temperature Range	Storage Temperature Range

Lead Soldering Temperature { 1.6mm ( 0.063 inch ) From Body } 250°C±5°C For 3 Seconds

**◆ELECTRO-OPTICAL CHARACTERISTICS: (Ta=25°C)**

Part No.	V <sub>F</sub> (V)			I <sub>R</sub> (uA)			λ <sub>P</sub> (nm)			2θ 1/2 (Age)			I <sub>e</sub> (mw/sr)		
	Min	Typ	Max	Min	Typ	Max	Min	Typ	Max	Min	Typ	Max	Min	Typ	Max
L-514EIR1BC		1.2 1.4	1.6			10			940			20		17	30
L-515EIR1BC		1.2 1.4	1.6			10			940			25		14	25
L-516EIR1BC		1.2 1.4	1.6			10			940			30		12	23
L-517EIR1BC		1.2 1.4	1.6			10			940			35		10	20
L-518EIR1BC		1.2 1.4	1.6			10			940			40		8	18
L-51AEIR1BC		1.2 1.4	1.6			10			940			50		6	12
L-514CIR1BC		1.3 1.6	1.8			10			940			20		13	25
TEST CONDITION	I <sub>F</sub> =20mA I <sub>F</sub> =100mA			V <sub>R</sub> = 5V			I <sub>F</sub> = 20mA			I <sub>F</sub> =20Ma			I <sub>F</sub> = 20mA		

BC=BLUE CLEAR

- All dimension are in millimeter (inches).
- Tolerance is ±0.25mm( 0.01”)unless otherwise specified.