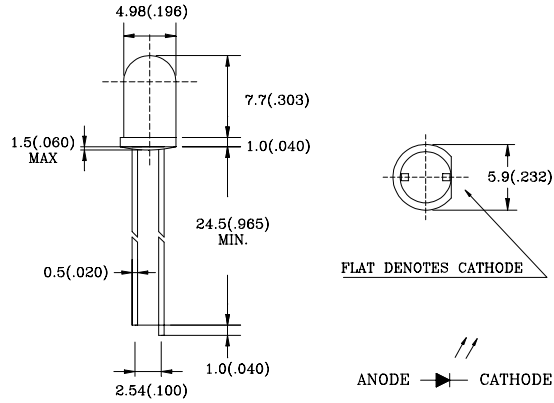




◆PACKAGE DIMENSIONS



◆ABSOLUTE MAXIMUM RATING: (Ta=25°C)

Part No.	P _D (mw)	V _R (V)	Topr	Tstg
L-51XEIR2C	100	5	-35°C to 85°C	-35°C to 85°C
PARAMETER	Power Dissipation	Reverse Voltage	Operating Temperature Range	Storage Temperature Range

Lead Soldering Temperature { 1.6mm (0.063 inch) From Body } 250°C±5°C For 3 Seconds

◆ELECTRO-OPTICAL CHARACTERISTICS: (Ta=25°C)

Part No.	VF (V)			IR (uA)			λ _P (nm)			2θ 1/2 (Age)			I _e (mw/sr)		
	Min	Typ	Max	Min	Typ	Max	Min	Typ	Max	Min	Typ	Max	Min	Typ	Max
L-514EIR2C		1.4 1.6	1.8			10		880			20		17	30	
L-515EIR2C		1.4 1.6	1.8			10		880			25		14	25	
L-516EIR2C		1.4 1.6	1.8			10		880			30		12	23	
L-517EIR2C		1.4 1.6	1.8			10		880			35		10	20	
L-518EIR2C		1.4 1.6	1.8			10		880			40		8	18	
L-51AEIR2C		1.4 1.6	1.8			10		880			50		6	12	
TEST CONDITION	I _F =20mA I _F =100mA			V _R = 5V			I _F = 20mA			I _F =20mA			I _F = 20mA		

1. All dimension are in millimeter (inches).
2. Tolerance is ±0.25mm(0.01”)unless otherwise specified.