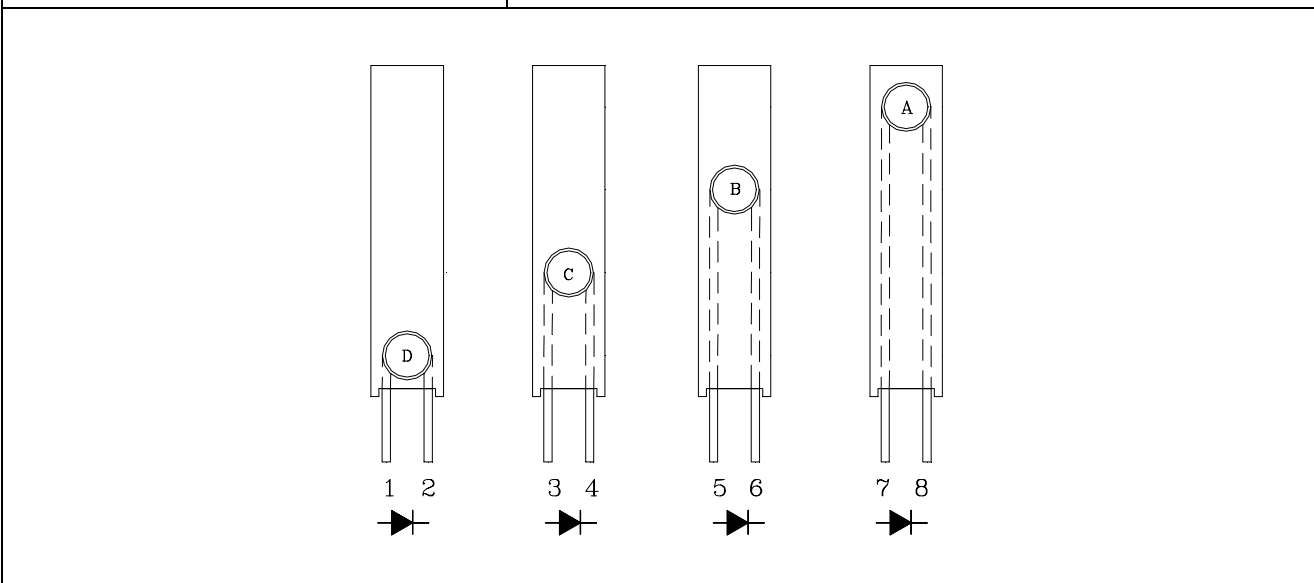
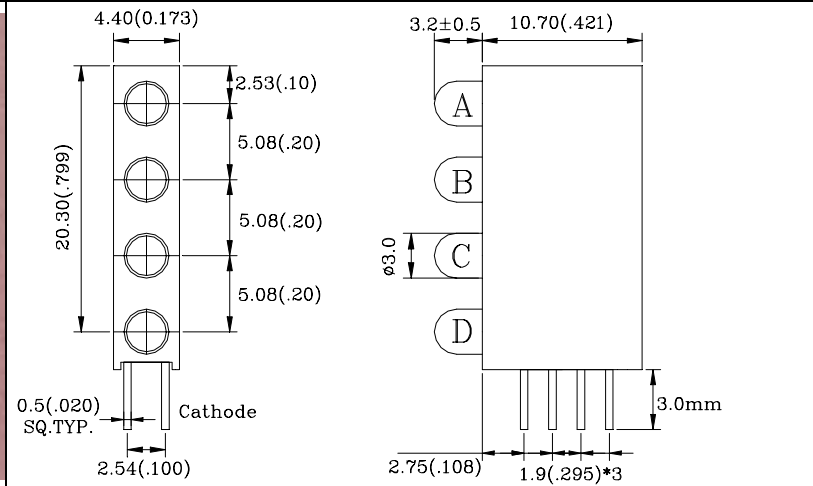
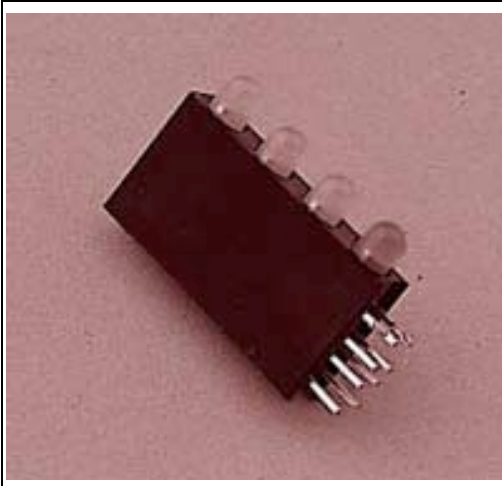




### L-H341XXXX 3.0mm Dia LED LAMP, WITH H340 HOLDER



Part No.	LED LAMP	Lens Color	Chip Raw Material	Wave Length $\lambda$ p(nm)	Electro-Optical Characteristics			View Angle (deg)
					Vf(V)20mA		Iv(mcd)10mA	
					Typ.	Max.	Typ.	
L-H341005B	A =L3541GD	Green Diffused	GaP	565	2.1	2.8	12.5	60
	B =L3541GD	Green Diffused	GaP	565	2.1	2.8	12.5	60
	C =L3541GD	Green Diffused	GaP	565	2.1	2.8	12.5	60
	D =L3541GD	Green Diffused	GaP	565	2.1	2.8	12.5	60
L-H341006B	A =L3541YD	Yellow Diffused	GaAsP/GaP	585	2.1	2.8	12.5	60
	B =L3541YD	Yellow Diffused	GaAsP/GaP	585	2.1	2.8	12.5	60
	C =L3541YD	Yellow Diffused	GaAsP/GaP	585	2.1	2.8	12.5	60
	D =L3541YD	Yellow Diffused	GaAsP/GaP	585	2.1	2.8	12.5	60
L-H341007B	A =L3541HD	Red Diffused	GaP	700	2.1	2.8	5.0	60
	B =L3541HD	Red Diffused	GaP	700	2.1	2.8	5.0	60
	C =L3541HD	Red Diffused	GaP	700	2.1	2.8	5.0	60
	D =L3541HD	Red Diffused	GaP	700	2.1	2.8	5.0	60
L-H341008B	A =L3541ED	Red Diffused	GaAsP/GaP	635	2.0	2.8	20.0	60
	B =L3541ED	Red Diffused	GaAsP/GaP	635	2.0	2.8	20.0	60
	C =L3541ED	Red Diffused	GaAsP/GaP	635	2.0	2.8	20.0	60
	D =L3541ED	Red Diffused	GaAsP/GaP	635	2.0	2.8	20.0	60

1.All dimension are in millimeters (inches)  
 2.Tolerance is  $\pm 0.25$  mm (0.01") unless otherwise specified.