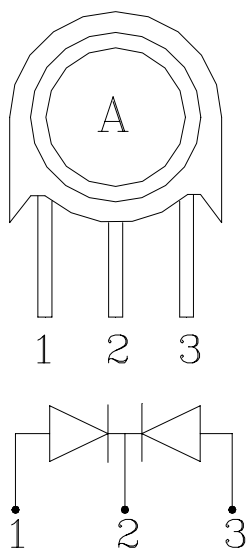
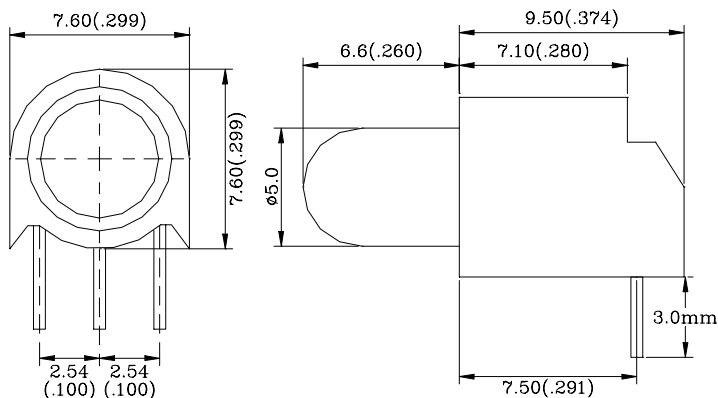
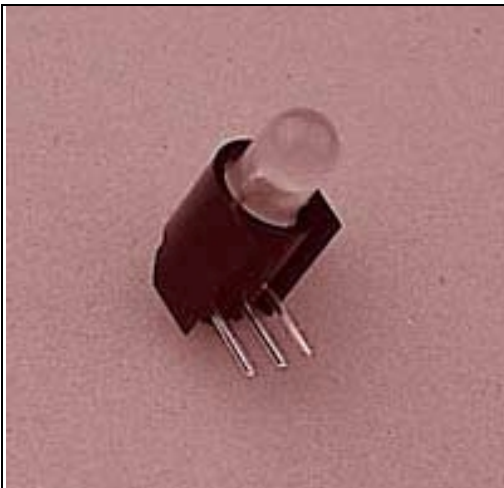




L-H511XXXX 5.0mm Dia LED LAMP, WITH H5051 HOLDER



Part No.	LED LAMP	Lens Color	Chip Raw Material	Wave Length λ_p (nm)	Electro-Optical Characteristics			View Angle (deg)
					Vf(V)20mA		Iv(mcd)10mA	
					Typ.	Max.	Typ.	
L-H511005B	L-519GYW	White Diffused	GaP	565	2.1	2.8	8.0	60
		White Diffused	GaAsP/GaP	585	2.1	2.8	8.0	60
L-H511006B	L-519GYW	White Diffused	GaAsP/GaP	635	2.0	2.8	8.0	60
		White Diffused	GaAsP/GaP	585	2.1	2.8	8.0	60
L-H511007B	L-519SRSGW	White Diffused	GaAlAs	660	1.8	2.1	100	60
		White Diffused	GaP	585	2.1	2.8	30.0	60

- 1.All dimension are in millimeters (inches).
- 2.Tolerance is ± 0.25 mm (0.01") unless otherwise specified.