

Product Features

- 2X CLK_IN on CLK_OUT
- High-Performance Phase-Locked-Loop Clock Distribution for Networking, ATM, 100/134 MHz Registered DIMM Synchronous DRAM modules for server/workstation/ PC applications
- Zero Input-to-Output delay
- Low jitter: Cycle-to-Cycle jitter ± 100 ps max.
- On-chip series damping resistor at clock output drivers for low noise and EMI reduction
- Operates at 3.3V VCC
- Wide range of Clock Frequencies
- Package:
Plastic 8-pin SOIC Package (W)

Product Description

The PI6C2302 features a low-skew, low-jitter, phase-locked loop (PLL) clock driver. By connecting the feedback CLK_OUT output to the feedback FB_IN input, the propagation delay from the CLK_IN input to any clock output will be nearly zero. The PI6C2302 provides 2X CLK_IN on CLK_OUT output.

Application

If the system designer needs more than 16 outputs with the features just described, using two or more zero-delay buffers such as PI6C2509Q, and PI6C2510Q, is likely to be impractical. The device-to-device skew introduced can significantly reduce the performance. Pericom recommends the use of a zero-delay buffer and an eighteen output non-zero-delay buffer. As shown in Figure 1, this combination produces a zero-delay buffer with all the signal characteristics of the original zero-delay buffer, but with as many outputs as the non-zero-delay buffer part. For example, when combined with an eighteen output non-zero delay buffer, a system designer can create a seventeen-output zero-delay buffer.

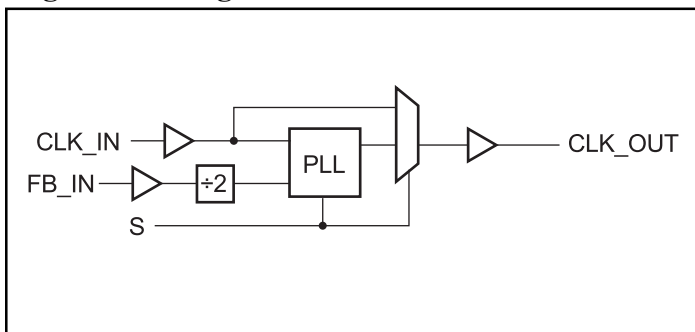
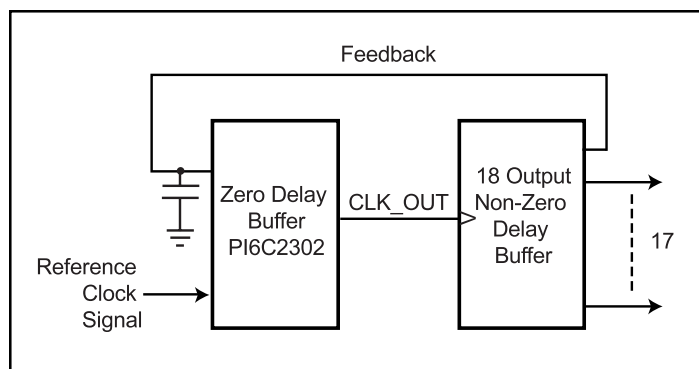
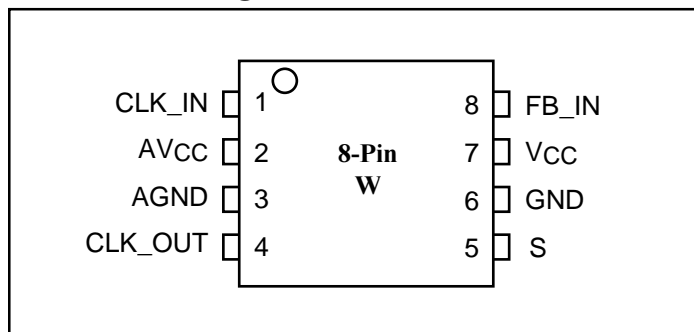
Logic Block Diagram

Product Pin Configuration


Figure 1. This Combination Provides Zero-Delay Between the Reference Clocks Signal and 17 Outputs

Control Input

S	Output Source	PLL Shutdown
1	PLL	N
0	CLK_IN	Y

Pin Functions

Pin Name	Pin Number	Type	Description
CLK_IN	1	I	Reference Clock input. CLK_IN allows spread spectrum clock input
AV _{CC}	2	Power	Analog power.
AGND	3	Ground	Analog ground.
CLK_OUT	4	O	Clock output. The output provides low-skew copies of CLK_IN and has an embedded series-damping resistor.
S	5	I	Control Input S. S is used to bypass the PLL for test purposes. When S is strapped to ground, PLL is bypassed and CLK_IN is buffered directly to the device outputs.
GND	6	Ground	Ground.
V _{CC}	7	Power	Power supply.
FB_IN	8	I	Feedback input. FB_IN provides the feedback signal to the internal PLL.

Absolute Maximum Ratings (Over operating free-air temperature range, see Note 1)

Symbol	Parameter	Min.	Max.	Units
V _I	Input voltage range	-0.5	V _{CC} + 0.5	V
V _O	Output voltage range	-0.5	V _{CC} + 0.5	
V _I _DC	DC input voltage	-0.5	+5.0	
I _O _DC	DC output current		100	mA
Power	Maximum power dissipation at T _A = 55°C in still air		1.0	W
T _{STG}	Storage temperature	-65	150	°C

Note:

1. Stress beyond those listed under “absolute maximum ratings” may cause permanent damage to the device.

Recommended Operating Conditions

Symbol	Parameter	Temperature	Min.	Max.	Units
V _{CC}	Supply voltage	Commercial	3.0	3.6	V
	Supply voltage	Industrial	3.135	3.465	
V _{IH}	High level input voltage		2.0		
V _{IL}	Low level input voltage			0.8	
V _I	Input voltage		0	V _{CC}	
T _A	Operating free-air temperature	Commercial	0	70	°C
	Operating free-air temperature	Industrial	-40	85	

Electrical Characteristics

(Over recommended operating free-air temperature range)

Symbol	Test Condition	Temperature	V _{CC}	Min.	Typ.	Max.	Units
I _{CC}	V _I = V _{CC} or GND; I _O = 0 ⁽²⁾	Commercial	3.6V			10	μA
	V _I = V _{CC} or GND; I _O = 0 ⁽²⁾	Industrial	3.465V			10	
C _I	V _I = V _{CC} or GND		3.3V		4		pF
C _O	V _O = V _{CC} or GND				6		
I _{OH}	V _{OUT} = 2.4V					-18	mA
	V _{OUT} = 2.0V					-30	
I _{OL}	V _{OUT} = 0.8V			25			
	V _{OUT} = 0.55V			17			

Note:

2. Continuous Output Current

AC Specifications Timing Requirements

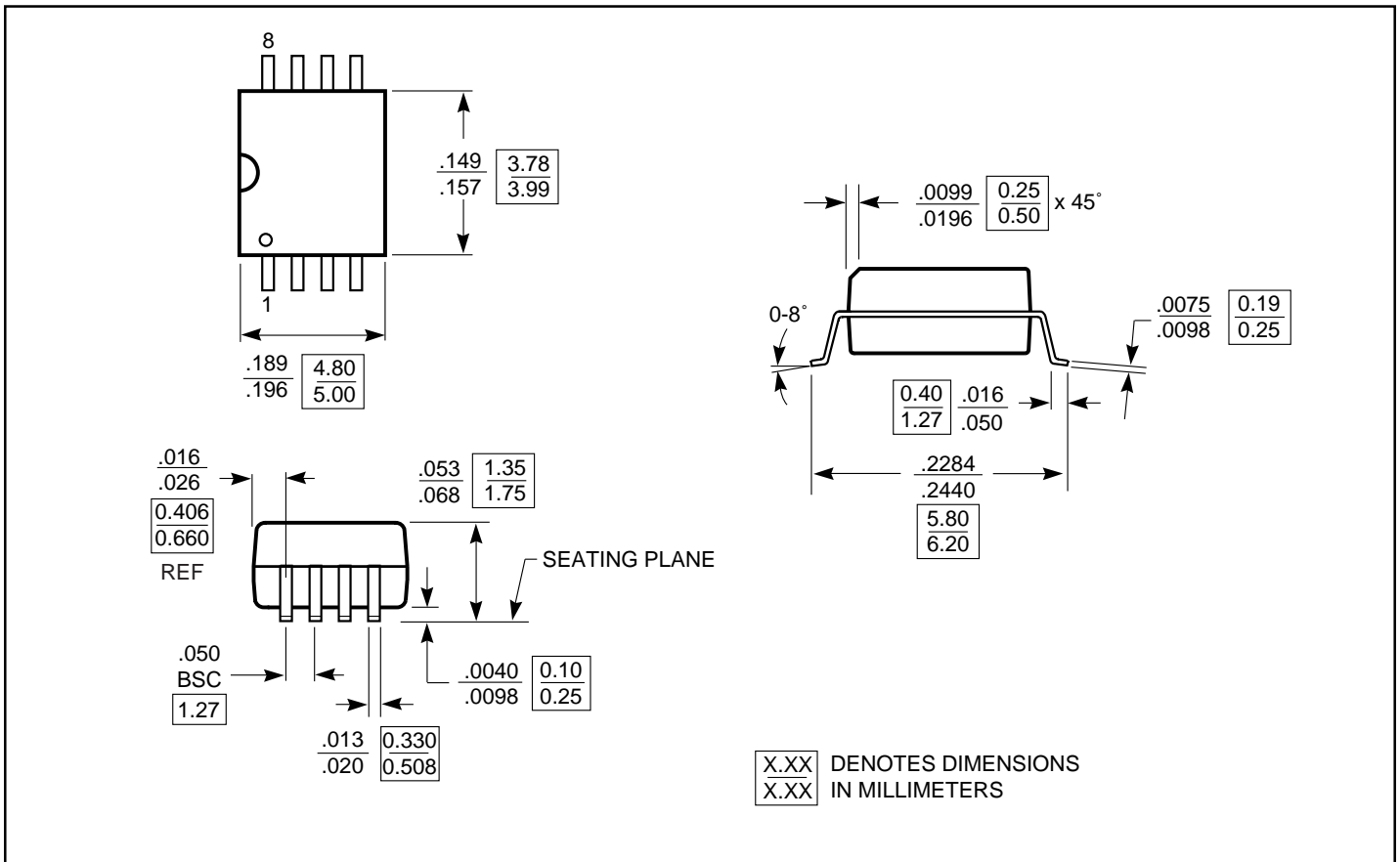
(Over recommended ranges of supply voltage and operating free-air temperature, C_L = 25pF)

Symbol	Parameter	Test Condition	Min.	Typ.	Max.	Units
F _{CLOCK}	Clock frequency	Commercial	25		134	MHz
	Clock frequency	Industrial	25		100	
D _{CYI}	Input clock duty cycle		40		60	%
	Stabilization time after power up				1	ms
t _p	Phase error without jitter ⁽³⁾	CLK_IN↑ at 100MHz and 66MHz	-150		+150	ps
t _j	Jitter, cycle-to-cycle	At 100MHz and 66MHz	-100		+100	
	Duty cycle		45		55	%
t _r	Rise-time, 0.4V to 2.0V			1.0		ns
t _f	Fall-time, 2.0V to 0.4V			1.1		

Note:

3. This switching parameter is guaranteed by design.

8-pin Plastic SOIC (W) Package



Ordering Information

Ordering Code	Package Name	Package Type	Operating Range
PI6C2302W	W8	8-pin 150-mil SOIC	Commercial
PI6C2302-WI	W8	8-pin 150-mil SOIC	Industrial