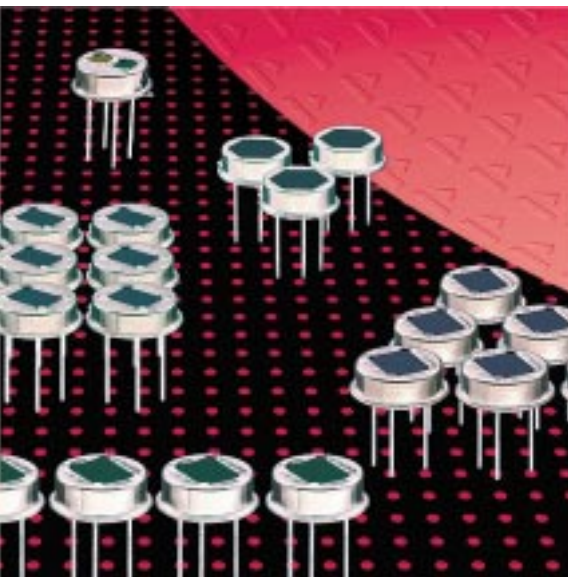


Pyroelectric Infrared Detectors

Twin Element Detector LHi 1448



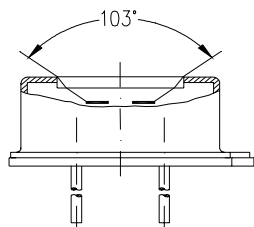
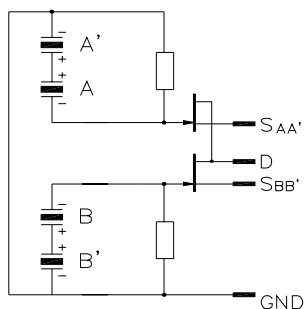
Four elements in two pairs

Two outputs, equal polarity

Designed for PIR alarms

The **LHi 1448** pyroelectric infrared detector is designed for high end PIR alarm applications. It includes a twin type pyro-electric ceramic with 4 sensitive elements connected to two FET source follower circuits. Thus it provides for dual channel output. Both channels are of the same polarity.

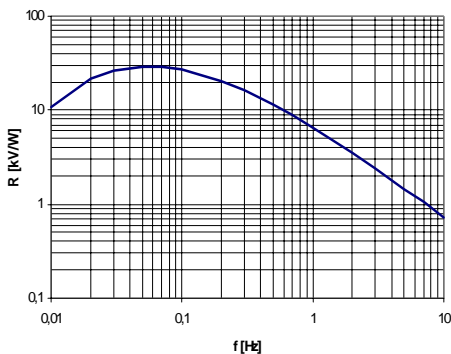
The LHi 1448 detector is available in TO-5 housing with standard infrared filter. It offers excellent common mode performance (match) and low noise.



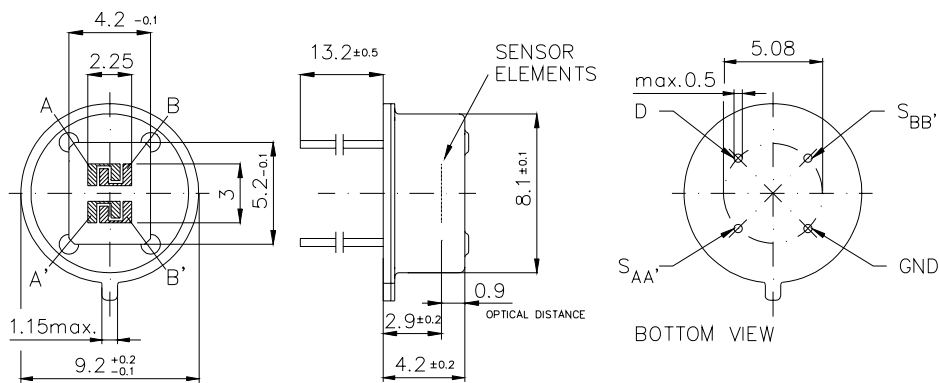
Field of View

Parameters	LHi 1448			units	condition
	min	typical	max		
Element size	0,953			mm ²	(4 elements)
Responsivity	4200	6500		V/W	100°C, 1 Hz
Match		1	15	%	
Noise		30	75	µVpp	25°C, 0,3...10Hz
Offset Voltage	0,2		1,55	V	R _s =47kΩ, 25°C
NEP		8,6x10 ⁻¹⁰	28x10 ⁻¹⁰	W √Hz	1Hz Bw, 100°C, 1 Hz
D*		3,5x10 ⁷	11x10 ⁷	cm √Hz/W	1Hz Bw, 100°C, 1 Hz
Output Impedance		5	10	kΩ	R _s =47kΩ, 25°C
Operating Voltage	2		15	V	R _s =47kΩ, 25°C
Field of View, horizontal		103°			unobstructed
Field of View, vertical		96°			unobstructed
Operating Temp.	-40		85	°C	non permanent
Storage Temperature	-40		75	°C	non permanent

Right for modification reserved / WS / 29.6.2001



Frequency Response



Dimensions in mm

Europe:
PerkinElmer Optoelectronics GmbH
 Wenzel Jaksch Str 31
 Wiesbaden / Germany
 Phone +49(0)611 492 0
 Fax +49(0)611 492 170

USA:
PerkinElmer Optoelectronics
 2175 Mission College Blvd
 Santa Clara, CA 95054
 Phone +408 565 0830
 Fax +408 565 0703

Asia:
PerkinElmer Optoelectronics
 47, Ayer Rajah Crescent #06-12
 Singapore 139947
 Phone +65 775 2022
 Fax +65 775 1008

