

DATA SHEET

TDA8705A

6-bit high-speed dual
Analog-to-Digital Converter (ADC)

Product specification
Supersedes data of November 1994
File under Integrated Circuits, IC02

1996 Jan 12

6-bit high-speed dual Analog-to-Digital Converter (ADC)

TDA8705A

FEATURES

- 2 times 6-bit resolution
- Sampling rate up to 80 MHz
- High signal-to-noise ratio over a large analog input frequency range (5.5 effective bits at 20 MHz full-scale input at $f_{\text{clk}} = 80$ MHz)
- TTL output
- Two separated inputs (AC-coupling)
- TTL compatible digital inputs
- Low-level AC clock input signal allowed
- Internal reference voltage regulator (external reference regulation possible)
- Power dissipation only 250 mW (typical)
- Low analog input capacitance, no buffer amplifier required
- No sample-and-hold circuit required.

APPLICATIONS

High-speed analog-to-digital conversion for:

- DBS (Digital Broadcast Satellite)
- QPSK (Quadrature Phase Shift Keying) demodulation
- Video.

GENERAL DESCRIPTION

The TDA8705A is a 6-bit high-speed dual analog-to-digital converter (ADC) for satellite video and other applications. It converts the two analog input signals into two 6-bit binary-coded digital words at a maximum sampling rate of 80 MHz. All digital inputs and outputs are TTL compatible, although a low-level sine wave clock input signal is allowed.

QUICK REFERENCE DATA

SYMBOL	PARAMETER	CONDITIONS	MIN.	TYP.	MAX.	UNIT
V_{CCA}	analog supply voltage		4.75	5.0	5.25	V
V_{CCD}	digital supply voltage		4.75	5.0	5.25	V
V_{CCO}	output stages supply voltage		4.75	5.0	5.25	V
I_{CCA}	analog supply current		20	27	32	mA
I_{CCD}	digital supply current		10	14	18	mA
I_{CCO}	output stages supply current		10	14	18	mA
ILE	DC integral linear error		–	± 0.25	± 0.5	LSB
DLE	DC differential linearity error		–	± 0.25	± 0.5	LSB
AILE	AC integral linearity error	note 1	–	± 0.5	± 1.0	LSB
$f_{\text{clk(max)}}$	maximum clock frequency		80	–	–	MHz
P_{tot}	total power dissipation		–	250	–	mW

Note

1. Full-scale sine wave ($f_i = 20$ MHz; $f_{\text{clk}} = 80$ MHz).

ORDERING INFORMATION

TYPE NUMBER	PACKAGE		
	NAME	DESCRIPTION	VERSION
TDA8705AT	SO28	plastic small outline package; 28 leads; body width 7.5 mm	SOT136-1

6-bit high-speed dual Analog-to-Digital Converter (ADC)

TDA8705A

BLOCK DIAGRAM

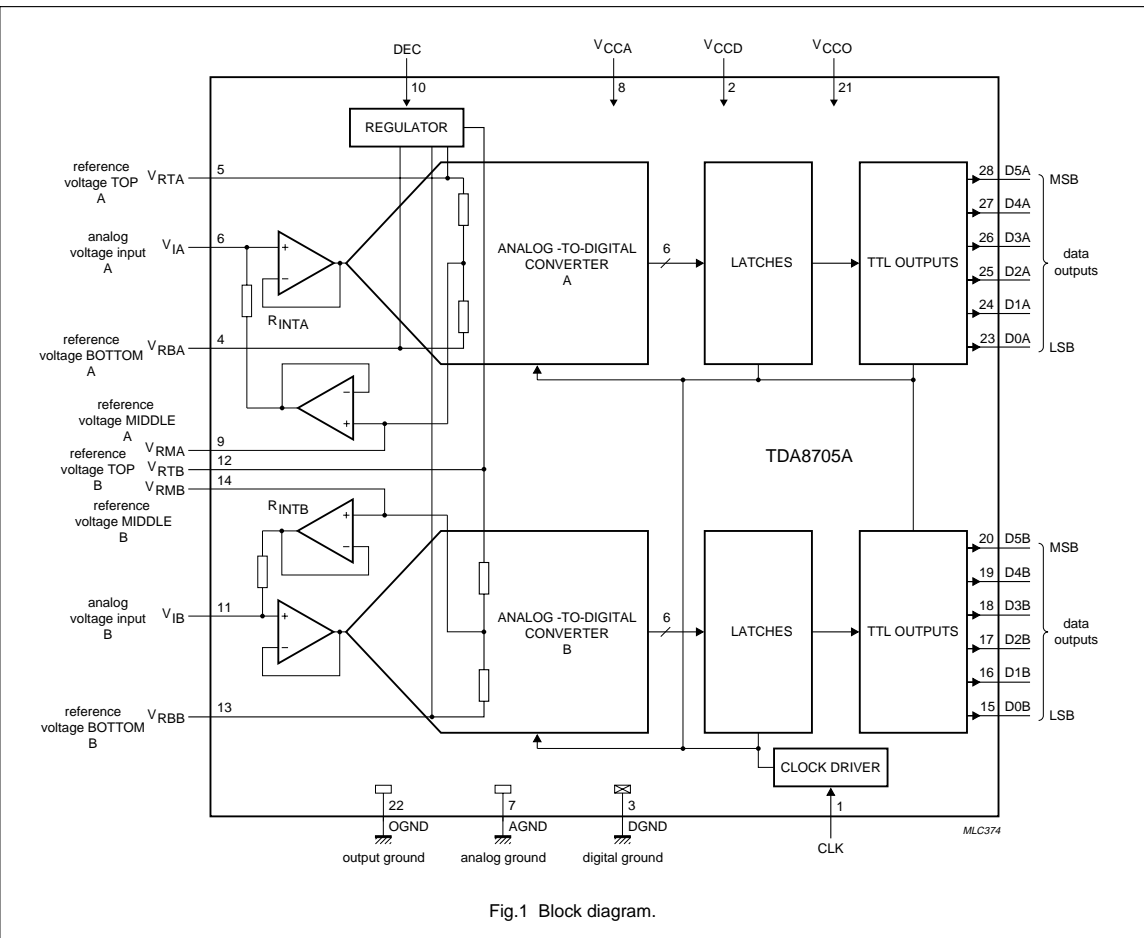


Fig.1 Block diagram.

6-bit high-speed dual Analog-to-Digital Converter (ADC)

TDA8705A

PINNING

SYMBOL	PIN	DESCRIPTION
CLK	1	clock input
V _{CCD}	2	digital supply voltage (+5 V)
DGND	3	digital ground
V _{RBA}	4	reference voltage BOTTOM for ADC A (decoupling)
V _{RTA}	5	reference voltage TOP for ADC A (decoupling)
V _{IA}	6	analog input voltage for ADC A
AGND	7	analog ground
V _{CCA}	8	analog supply voltage (+5 V)
V _{RMA}	9	reference voltage MIDDLE for ADC A (decoupling)
DEC	10	decoupling input
V _{IB}	11	analog input voltage for ADC B
V _{RTB}	12	reference voltage TOP for ADC B (decoupling)
V _{RBB}	13	reference voltage BOTTOM for ADC B (decoupling)
V _{RMB}	14	reference voltage MIDDLE for ADC B (decoupling)
D0B	15	data output; bit 0 (LSB), ADC B
D1B	16	data output; bit 1, ADC B
D2B	17	data output; bit 2, ADC B
D3B	18	data output; bit 3, ADC B
D4B	19	data output; bit 4, ADC B
D5B	20	data output; bit 5 (MSB), ADC B
V _{CCO}	21	supply voltage for output stages (+5 V)
OGND	22	output ground
D0A	23	data output; bit 0 (LSB), ADC A
D1A	24	data output; bit 1, ADC A
D2A	25	data output; bit 2, ADC A
D3A	26	data output; bit 3, ADC A
D4A	27	data output; bit 4, ADC A
D5A	28	data output; bit 5 (MSB), ADC A

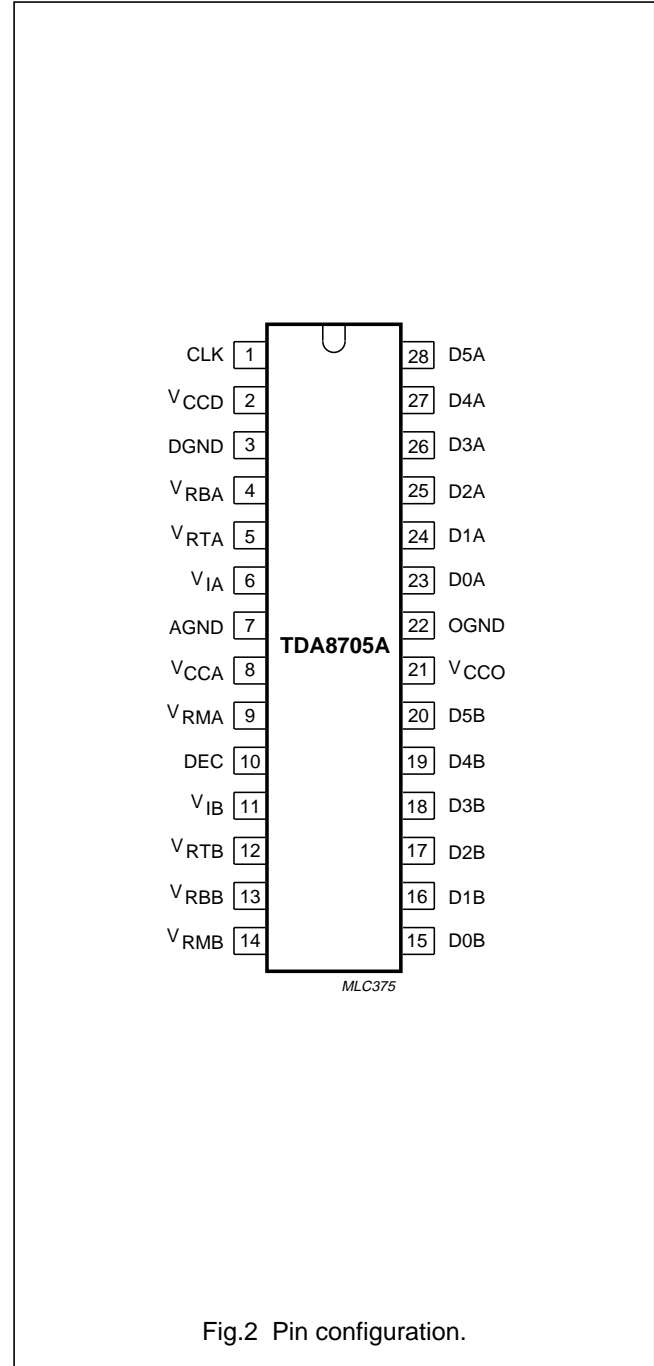


Fig.2 Pin configuration.

6-bit high-speed dual Analog-to-Digital Converter (ADC)

TDA8705A

LIMITING VALUES

In accordance with the Absolute Maximum Rating System (IEC 134).

SYMBOL	PARAMETER	CONDITIONS	MIN.	MAX.	UNIT
V_{CCA}	analog supply voltage	note 1	-0.3	+7.0	V
V_{CCD}	digital supply voltage	note 1	-0.3	+7.0	V
V_{CCO}	output stages supply voltage	note 1	-0.3	+7.0	V
ΔV_{CC}	supply voltage differences between V_{CCA} and V_{CCD}		-1.0	+1.0	V
ΔV_{CC}	supply voltage differences between V_{CCO} and V_{CCD}		-1.0	+1.0	V
ΔV_{CC}	supply voltage differences between V_{CCA} and V_{CCO}		-1.0	+1.0	V
V_I	input voltage	referenced to AGND	-0.3	+7.0	V
$V_{clk(p-p)}$	AC input voltage for switching (peak-to-peak value)	referenced to DGND	-	V_{CCD}	V
I_O	output current		-	10	mA
T_{stg}	storage temperature		-55	+150	°C
T_{amb}	operating ambient temperature		0	+70	°C
T_j	junction temperature		-	+150	°C

Note

- The supply voltages V_{CCA} , V_{CCO} and V_{CCD} may have any value between -0.3 V and +7 V provided the difference between V_{CCA} , V_{CCO} and V_{CCD} is between -1 V and +1 V.

HANDLING

Inputs and outputs are protected against electrostatic discharges in normal handling. However, to be totally safe, it is desirable to take normal precautions appropriate to handling integrated circuits.

THERMAL CHARACTERISTICS

SYMBOL	PARAMETER	VALUE	UNIT
$R_{th\ j-a}$	thermal resistance from junction to ambient in free air	70	K/W

6-bit high-speed dual Analog-to-Digital Converter (ADC)

TDA8705A

CHARACTERISTICS

$V_{CCA} = V_8$ to $V_7 = 4.75$ to 5.25 V; $V_{CCD} = V_2$ to $V_3 = 4.75$ to 5.25 V; $V_{CCO} = V_{21}$ to $V_{22} = 4.75$ to 5.25 V; AGND, OGND and DGND shorted together; V_{CCA} to $V_{CCD} = -0.25$ to $+0.25$ V; V_{CCO} to $V_{CCD} = -0.25$ to $+0.25$ V; V_{CCA} to $V_{CCO} = -0.25$ to $+0.25$ V; $T_{amb} = 0$ to $+70$ °C; typical values measured at $V_{CCA} = V_{CCD} = V_{CCO} = 5$ V and $T_{amb} = 25$ °C; $C_L = 15$ pF; unless otherwise specified.

SYMBOL	PARAMETER	CONDITIONS	MIN.	TYP.	MAX.	UNIT
Supply						
V_{CCA}	analog supply voltage		4.75	5.0	5.25	V
V_{CCD}	digital supply voltage		4.75	5.0	5.25	V
V_{CCO}	output stages supply voltage		4.75	5.0	5.25	V
I_{CCA}	analog supply current		20	27	32	mA
I_{CCD}	digital supply current		10	14	18	mA
I_{CCO}	output stages supply current		10	14	18	mA
Inputs						
CLOCK INPUT CLK; REFERENCED TO DGND; note 1						
V_{IL}	LOW level input voltage		0	–	0.8	V
V_{IH}	HIGH level input voltage		2.0	–	V_{CCD}	V
I_{IL}	LOW level input current	$V_{clk} = 0.4$ V	–1	–	+1	µA
I_{IH}	HIGH level input current	$V_{clk} = 2.7$ V	–	–	20	µA
Z_I	input impedance	$f_{clk} = 80$ MHz	–	2	–	kΩ
C_I	input capacitance	$f_{clk} = 80$ MHz	–	2	–	pF
V_I ANALOG INPUT VOLTAGE FOR A AND B; REFERENCED TO AGND						
R_I	DC parallel input resistance		20	–	–	kΩ
C_I	parallel input capacitance	$f_i = 20$ MHz	–	1.5	–	pF
α_{CT}	crosstalk between V_{IA} and V_{IB}	$f_i = 20$ MHz	40	–	–	dB
Reference voltages for the resistor ladder (A and B); see Table 1						
V_{RB}	reference voltage BOTTOM		1.9	2.0	2.1	V
V_{RT}	reference voltage TOP		2.8	2.9	3.0	V
V_{diff}	differential reference voltage $V_{RT} - V_{RB}$		0.85	0.90	0.95	V
I_{ref}	reference current		–	2	–	mA
R_{LAD}	resistor ladder		–	450	–	Ω
TC_{RLAD}	temperature coefficient of the resistor ladder		–	3280	–	ppm
V_{osB}	offset voltage BOTTOM	note 2	–	200	–	mV
V_{osT}	offset voltage TOP	note 2	–	200	–	mV
$V_{i(p-p)}$	input voltage amplitude (peak-to-peak value)		0.45	0.50	0.55	V
Outputs (A and B)						
DIGITAL OUTPUTS D5 TO D0 (REFERENCED TO DGND)						
V_{OL}	LOW level output voltage	$I_O = 1$ mA	0	–	0.4	V
V_{OH}	HIGH level output voltage	$I_O = -1$ mA	2.4	–	V_{CCD}	V

6-bit high-speed dual Analog-to-Digital Converter (ADC)

TDA8705A

SYMBOL	PARAMETER	CONDITIONS	MIN.	TYP.	MAX.	UNIT
Switching characteristics						
CLOCK INPUT CLK; note 1; see Fig.3						
$f_{\text{clk(max)}}$	maximum clock frequency		80	–	–	MHz
t_{CPH}	clock pulse width HIGH		5.5	–	–	ns
t_{CPL}	clock pulse width LOW		5.5	–	–	ns
Analog signal processing						
LINEARITY						
ILE	DC integral linearity error		–	± 0.25	± 0.5	LSB
DLE	DC differential linearity error		–	± 0.25	± 0.5	LSB
AILE	AC integral linearity error	note 3	–	± 0.5	± 1.0	LSB
OFE	offset error between A and B	$f_i = 10 \text{ MHz};$ $f_{\text{clk}} = 40 \text{ MHz};$ note 4	± 1	–	± 2	LSB
GE	gain error between A and B	$f_i = 10 \text{ MHz};$ $f_{\text{clk}} = 40 \text{ MHz};$ note 4	± 1	–	± 2	LSB
MID	middle scale output code (A and B)		31	–	32	
BANDWIDTH; $f_{\text{clk}} = 80 \text{ MHz}$						
B	–0.5 dB analog bandwidth	full-scale sine wave; note 5	–	50	–	MHz
t_{STLH}	analog input settling time LOW-to-HIGH	full-scale square wave; Fig.4; note 6	–	8	–	ns
t_{STHL}	analog input settling time HIGH-to-LOW	full-scale square wave; Fig.4; note 6	–	5	–	ns
HARMONICS; $f_{\text{clk}} = 40 \text{ MHz};$ see Fig.5						
h_1	fundamental harmonics (full scale)	$f_i = 20 \text{ MHz}$	–	–	0	dB
h_{all}	harmonics (full scale); all components	$f_i = 20 \text{ MHz}$				
	second harmonics		–	–45	–	dB
	third harmonics		–	–41	–	dB
THD	total harmonic distortion	$f_i = 20 \text{ MHz}$	–	–39	–34	dB
SIGNAL-TO-NOISE RATIO; note 7; see Fig.5						
S/N	signal-to-noise ratio (full scale)	without harmonics; $f_{\text{clk}} = 80 \text{ MHz};$ $f_i = 20 \text{ MHz}$	33	36	–	dB
EFFECTIVE BITS; note 7; see Fig.5						
EB	effective bits	$f_{\text{clk}} = 80 \text{ MHz}$ $f_i = 10 \text{ MHz}$ $f_i = 20 \text{ MHz}$ $f_i = 30 \text{ MHz}$	–	5.7	–	bits
			–	5.5	–	bits
			–	5.1	–	bits

6-bit high-speed dual Analog-to-Digital Converter (ADC)

TDA8705A

SYMBOL	PARAMETER	CONDITIONS	MIN.	TYP.	MAX.	UNIT
TWO-TONE; note 8						
TTIR	two-tone intermodulation rejection	$f_{\text{clk}} = 80 \text{ MHz}$	–	48	–	dB
BIT ERROR RATE						
BER	bit error rate	$f_{\text{clk}} = 80 \text{ MHz};$ $f_i = 20 \text{ MHz};$ $V_I = \pm 16 \text{ LSB}$ at code 32	–	10^{-12}	–	times/ samples
Timing ($f_{\text{clk}} = 80 \text{ MHz}; C_L = 15 \text{ pF}$); note 9; see Fig.3						
t_{ds}	sampling delay time		–	–	2	ns
t_{h}	output hold time		5	–	–	ns
t_{d}	output delay time		–	–	11	ns

Notes

- In addition to a good layout of the digital and analog ground, it is recommended that the rise and fall times of the clock must not be less than 1 ns.
- Analog input voltages producing code 00 up to and including 3F:
 - V_{osB} (voltage offset BOTTOM) is the difference between the analog input which produces data equal to 00 and the reference voltage BOTTOM (V_{RB}) at $T_{\text{amb}} = 25 \text{ }^\circ\text{C}$.
 - V_{osT} (voltage offset TOP) is the difference between V_{RT} (reference voltage TOP) and the analog input which produces data outputs equal to 3F at $T_{\text{amb}} = 25 \text{ }^\circ\text{C}$.
- Full-scale sine wave ($f_i = 20 \text{ MHz}; f_{\text{clk}} = 80 \text{ MHz}$).
- The Offset Error (OFE) and Gain Error (GE) are determined by taking results from a simultaneous acquisition on both ADCs of a sine wave greater than full-scale. The occurrences of code 0 and 63 are used to calculate the OFE (mid-scale-to-mid-scale) and the GE (amplitude difference) between the two converters A and B.
- The -0.5 dB analog bandwidth is determined by the 0.5 dB reduction in the reconstructed output, the input being a full-scale sine wave. It is determined with a beat frequency method; no glitches occurrence.
- The analog input settling time is the minimum time required for the input signal to be stabilized after a sharp full-scale input (square-wave signal) in order to sample the signal and obtain correct output data.
- Effective bits are obtained via a Fast Fourier Transform (FFT) treatment taking 8K acquisition points per period. The calculation takes into account all harmonics and noise up to half of the clock frequency (NYQUIST frequency). Conversion to signal-to-noise ratio: $S/N = EB \times 6.02 + 1.76 \text{ dB}$.
- Intermodulation measured relative to either tone with analog input frequencies of 20.0 MHz and 20.1 MHz. The two input signals have the same amplitude and the total amplitude of both signals provides full scale to the converter.
- Output data acquisition: the output data is available after the maximum delay time of t_{d} .

6-bit high-speed dual Analog-to-Digital Converter (ADC)

TDA8705A

Table 1 Output coding and input voltage (typical values; referenced to AGND)

STEP	$V_{I(p-p)}$ A or B (V)	BINARY OUTPUT BITS					
		D5	D4	D3	D2	D1	D0
Underflow	<2.2	0	0	0	0	0	0
0	2.2	0	0	0	0	0	0
1	2.208	0	0	0	0	0	1
.
.
62	2.692	1	1	1	1	1	0
63	2.7	1	1	1	1	1	1
Overflow	>2.7	1	1	1	1	1	1

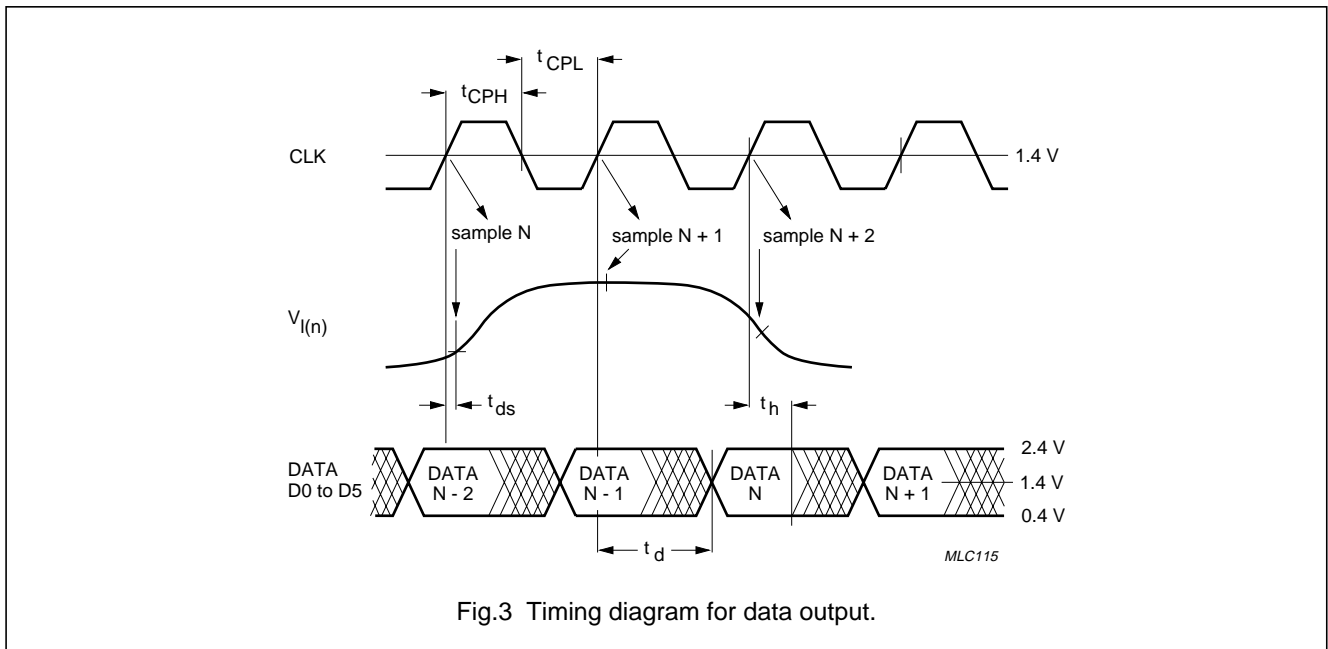


Fig.3 Timing diagram for data output.

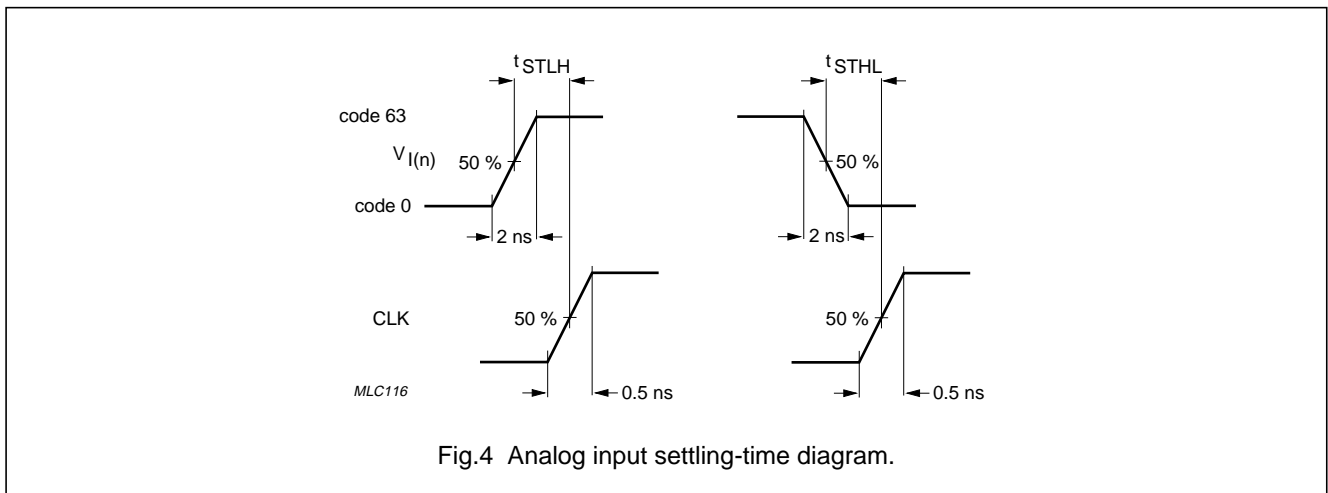
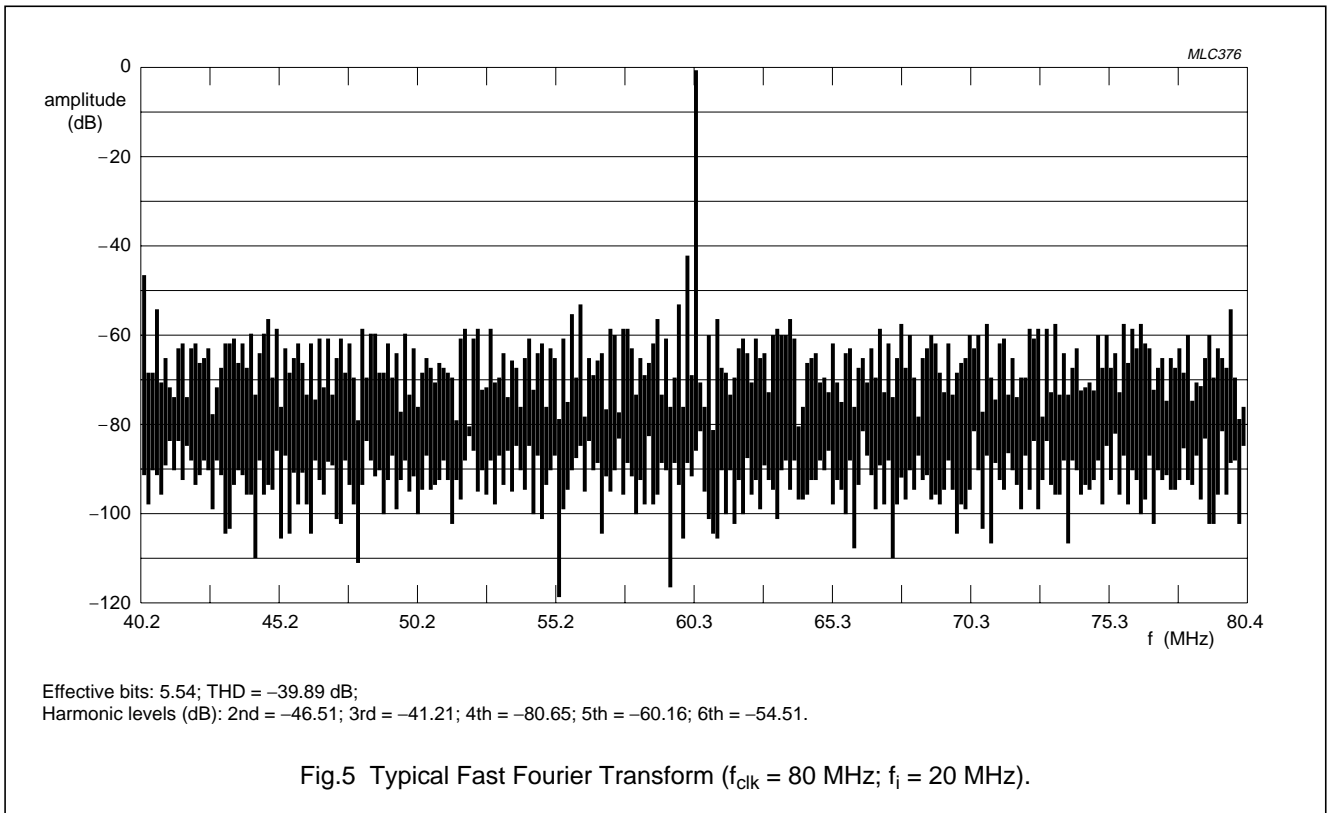


Fig.4 Analog input settling-time diagram.

6-bit high-speed dual Analog-to-Digital Converter (ADC)

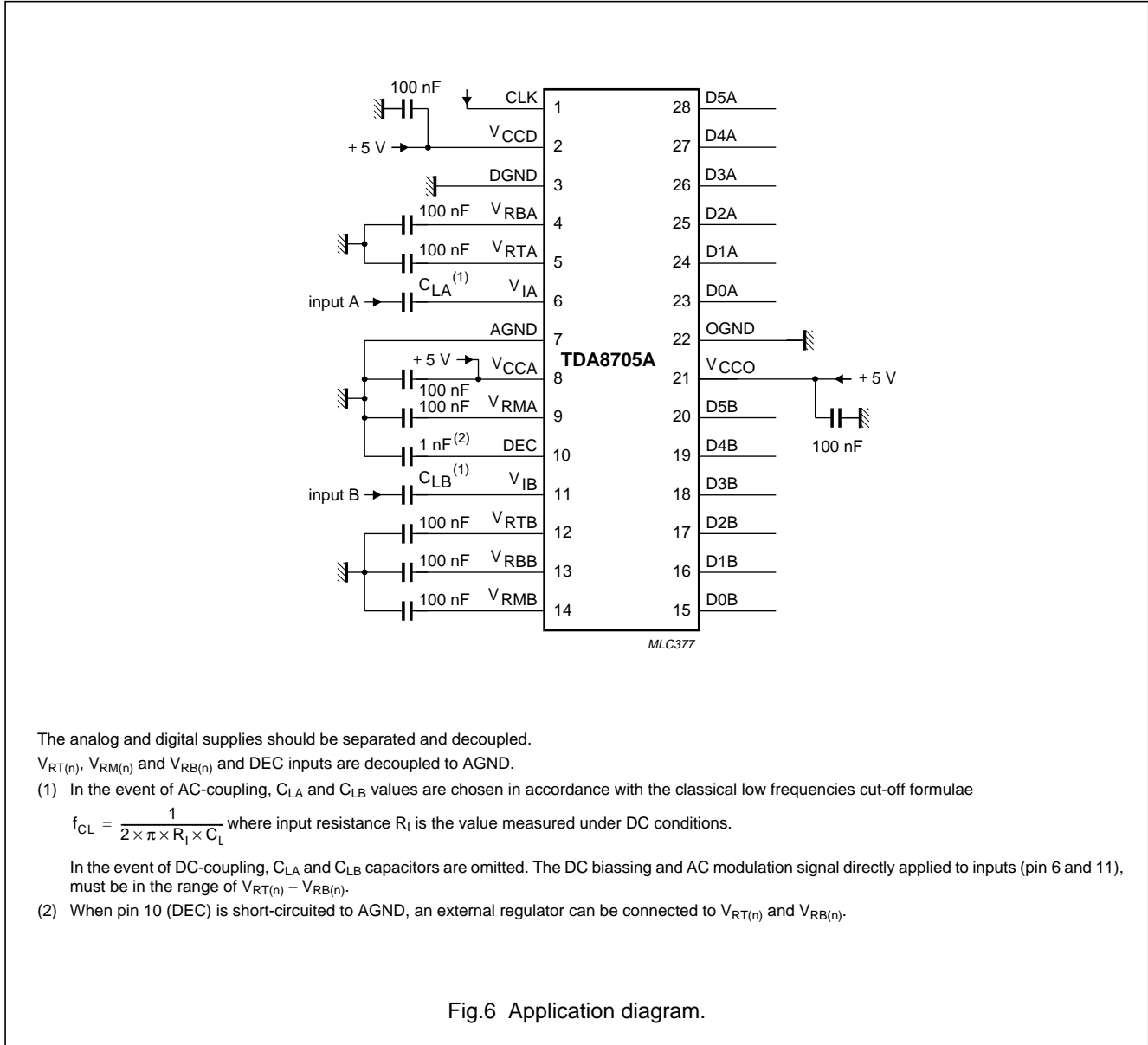
TDA8705A



6-bit high-speed dual Analog-to-Digital Converter (ADC)

TDA8705A

APPLICATION INFORMATION



The analog and digital supplies should be separated and decoupled.

$V_{RT(n)}$, $V_{RM(n)}$ and $V_{RB(n)}$ and DEC inputs are decoupled to AGND.

(1) In the event of AC-coupling, C_{LA} and C_{LB} values are chosen in accordance with the classical low frequencies cut-off formulae

$$f_{CL} = \frac{1}{2 \times \pi \times R_i \times C_L}$$

where input resistance R_i is the value measured under DC conditions.

In the event of DC-coupling, C_{LA} and C_{LB} capacitors are omitted. The DC biasing and AC modulation signal directly applied to inputs (pin 6 and 11), must be in the range of $V_{RT(n)} - V_{RB(n)}$.

(2) When pin 10 (DEC) is short-circuited to AGND, an external regulator can be connected to $V_{RT(n)}$ and $V_{RB(n)}$.

Fig.6 Application diagram.

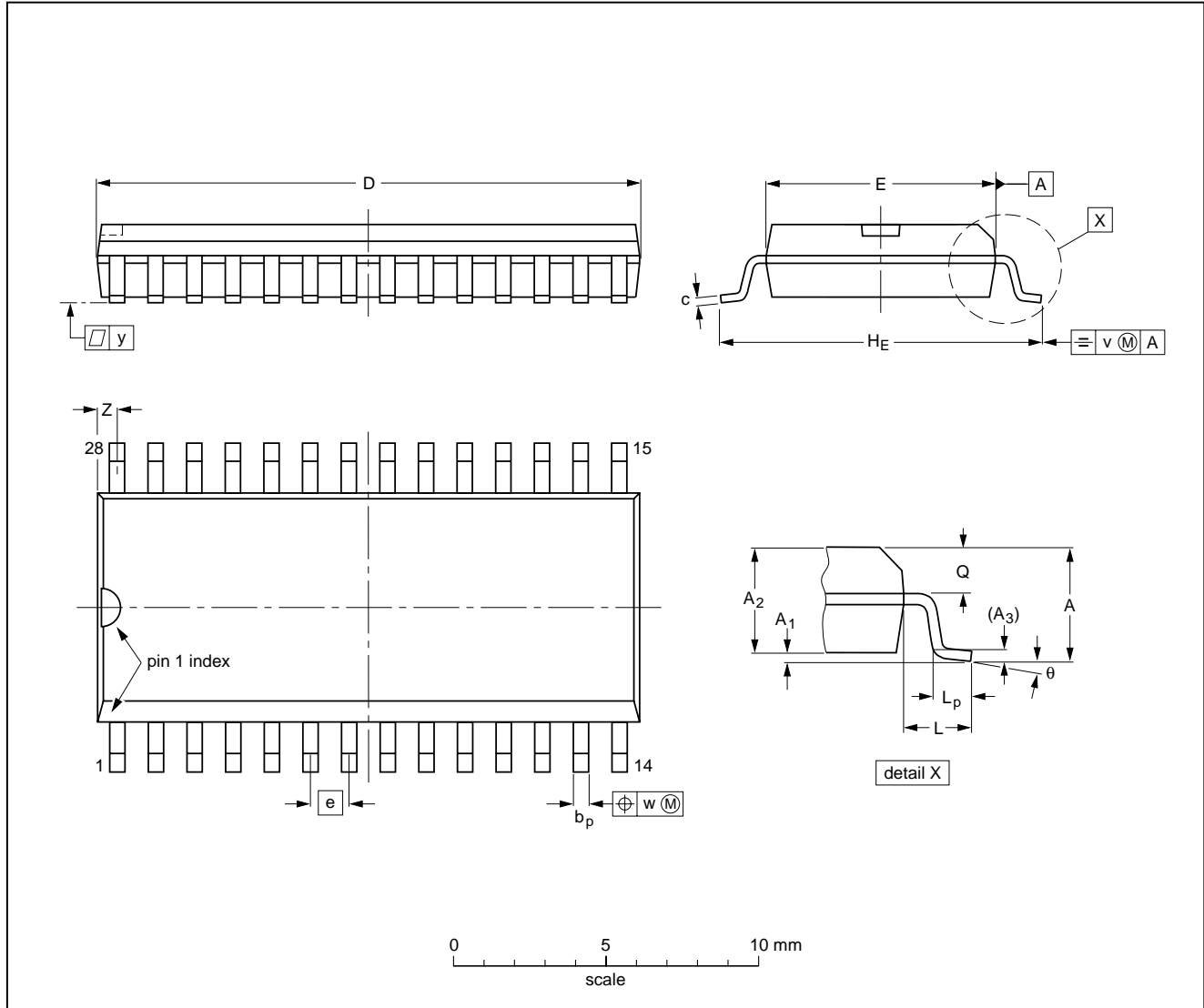
6-bit high-speed dual Analog-to-Digital Converter (ADC)

TDA8705A

PACKAGE OUTLINE

SO28: plastic small outline package; 28 leads; body width 7.5 mm

SOT136-1



DIMENSIONS (inch dimensions are derived from the original mm dimensions)

UNIT	A max.	A ₁	A ₂	A ₃	b _p	c	D ⁽¹⁾	E ⁽¹⁾	e	H _E	L	L _p	Q	v	w	y	Z ⁽¹⁾	θ
mm	2.65	0.30 0.10	2.45 2.25	0.25	0.49 0.36	0.32 0.23	18.1 17.7	7.6 7.4	1.27	10.65 10.00	1.4	1.1 0.4	1.1 1.0	0.25	0.25	0.1	0.9 0.4	8° 0°
inches	0.10	0.012 0.004	0.096 0.089	0.01	0.019 0.014	0.013 0.009	0.71 0.69	0.30 0.29	0.050	0.419 0.394	0.055	0.043 0.016	0.043 0.039	0.01	0.01	0.004	0.035 0.016	

Note

1. Plastic or metal protrusions of 0.15 mm maximum per side are not included.

OUTLINE VERSION	REFERENCES				EUROPEAN PROJECTION	ISSUE DATE
	IEC	JEDEC	EIAJ			
SOT136-1	075E06	MS-013AE				95-01-24 97-05-22

6-bit high-speed dual Analog-to-Digital Converter (ADC)

TDA8705A

SOLDERING

Introduction

There is no soldering method that is ideal for all IC packages. Wave soldering is often preferred when through-hole and surface mounted components are mixed on one printed-circuit board. However, wave soldering is not always suitable for surface mounted ICs, or for printed-circuits with high population densities. In these situations reflow soldering is often used.

This text gives a very brief insight to a complex technology. A more in-depth account of soldering ICs can be found in our "*IC Package Databook*" (order code 9398 652 90011).

Reflow soldering

Reflow soldering techniques are suitable for all SO packages.

Reflow soldering requires solder paste (a suspension of fine solder particles, flux and binding agent) to be applied to the printed-circuit board by screen printing, stencilling or pressure-syringe dispensing before package placement.

Several techniques exist for reflowing; for example, thermal conduction by heated belt. Dwell times vary between 50 and 300 seconds depending on heating method. Typical reflow temperatures range from 215 to 250 °C.

Preheating is necessary to dry the paste and evaporate the binding agent. Preheating duration: 45 minutes at 45 °C.

Wave soldering

Wave soldering techniques can be used for all SO packages if the following conditions are observed:

- A double-wave (a turbulent wave with high upward pressure followed by a smooth laminar wave) soldering technique should be used.
- The longitudinal axis of the package footprint must be parallel to the solder flow.
- The package footprint must incorporate solder thieves at the downstream end.

During placement and before soldering, the package must be fixed with a droplet of adhesive. The adhesive can be applied by screen printing, pin transfer or syringe dispensing. The package can be soldered after the adhesive is cured.

Maximum permissible solder temperature is 260 °C, and maximum duration of package immersion in solder is 10 seconds, if cooled to less than 150 °C within 6 seconds. Typical dwell time is 4 seconds at 250 °C.

A mildly-activated flux will eliminate the need for removal of corrosive residues in most applications.

Repairing soldered joints

Fix the component by first soldering two diagonally-opposite end leads. Use only a low voltage soldering iron (less than 24 V) applied to the flat part of the lead. Contact time must be limited to 10 seconds at up to 300 °C. When using a dedicated tool, all other leads can be soldered in one operation within 2 to 5 seconds between 270 and 320 °C.

6-bit high-speed dual Analog-to-Digital Converter (ADC)

TDA8705A

DEFINITIONS

Data sheet status	
Objective specification	This data sheet contains target or goal specifications for product development.
Preliminary specification	This data sheet contains preliminary data; supplementary data may be published later.
Product specification	This data sheet contains final product specifications.
Limiting values	
Limiting values given are in accordance with the Absolute Maximum Rating System (IEC 134). Stress above one or more of the limiting values may cause permanent damage to the device. These are stress ratings only and operation of the device at these or at any other conditions above those given in the Characteristics sections of the specification is not implied. Exposure to limiting values for extended periods may affect device reliability.	
Application information	
Where application information is given, it is advisory and does not form part of the specification.	

LIFE SUPPORT APPLICATIONS

These products are not designed for use in life support appliances, devices, or systems where malfunction of these products can reasonably be expected to result in personal injury. Philips customers using or selling these products for use in such applications do so at their own risk and agree to fully indemnify Philips for any damages resulting from such improper use or sale.

6-bit high-speed dual Analog-to-Digital
Converter (ADC)

TDA8705A

NOTES

Philips Semiconductors – a worldwide company

Argentina: IEROD, Av. Juramento 1992 - 14.b, (1428)
BUENOS AIRES, Tel. (541)786 7633, Fax. (541)786 9367

Australia: 34 Waterloo Road, NORTH RYDE, NSW 2113,
Tel. (02)805 4455, Fax. (02)805 4466

Austria: Triester Str. 64, A-1101 WIEN, P.O. Box 213,
Tel. (01)60 101-1236, Fax. (01)60 101-1211

Belgium: Postbus 90050, 5600 PB EINDHOVEN, The Netherlands,
Tel. (31)40-2783749, Fax. (31)40-2788399

Brazil: Rua do Rocio 220 - 5th floor, Suite 51,
CEP: 04552-903-SÃO PAULO-SP, Brazil,
P.O. Box 7383 (01064-970),
Tel. (011)821-2333, Fax. (011)829-1849

Canada: PHILIPS SEMICONDUCTORS/COMPONENTS:
Tel. (800) 234-7381, Fax. (708) 296-8556

Chile: Av. Santa Maria 0760, SANTIAGO,
Tel. (02)773 816, Fax. (02)777 6730

China/Hong Kong: 501 Hong Kong Industrial Technology Centre,
72 Tat Chee Avenue, Kowloon Tong, HONG KONG,
Tel. (852)2319 7888, Fax. (852)2319 7700

Colombia: IPRELENZO LTDA, Carrera 21 No. 56-17,
77621 BOGOTA, Tel. (571)249 7624/(571)217 4609,
Fax. (571)217 4549

Denmark: Prags Boulevard 80, PB 1919, DK-2300
COPENHAGEN S, Tel. (45)32 88 26 36, Fax. (45)31 57 19 49

Finland: Sinikalliontie 3, FIN-02630 ESPOO,
Tel. (358)0-615 800, Fax. (358)0-61580 920

France: 4 Rue du Port-aux-Vins, BP317,
92156 SURESNES Cedex,
Tel. (01)4099 6161, Fax. (01)4099 6427

Germany: P.O. Box 10 51 40, 20035 HAMBURG,
Tel. (040)23 53 60, Fax. (040)23 53 63 00

Greece: No. 15, 25th March Street, GR 17778 TAVROS,
Tel. (01)4894 339/4894 911, Fax. (01)4814 240

India: Philips INDIA Ltd, Shivsagar Estate, A Block,
Dr. Annie Besant Rd. Worli, Bombay 400 018
Tel. (022)4938 541, Fax. (022)4938 722

Indonesia: Philips House, Jalan H.R. Rasuna Said Kav. 3-4,
P.O. Box 4252, JAKARTA 12950,
Tel. (021)5201 122, Fax. (021)5205 189

Ireland: Newstead, Clonskeagh, DUBLIN 14,
Tel. (01)7640 000, Fax. (01)7640 200

Italy: PHILIPS SEMICONDUCTORS S.r.l.,
Piazza IV Novembre 3, 20124 MILANO,
Tel. (0039)2 6752 2531, Fax. (0039)2 6752 2557

Japan: Philips Bldg 13-37, Kohnan2-chome, Minato-ku, TOKYO 108,
Tel. (03)3740 5130, Fax. (03)3740 5077

Korea: Philips House, 260-199 Itaewon-dong,
Yongsan-ku, SEOUL, Tel. (02)709-1412, Fax. (02)709-1415

Malaysia: No. 76 Jalan Universiti, 46200 PETALING JAYA,
SELANGOR, Tel. (03)750 5214, Fax. (03)757 4880

Mexico: 5900 Gateway East, Suite 200, EL PASO, TX 79905,
Tel. 9-5(800)234-7381, Fax. (708)296-8556

Netherlands: Postbus 90050, 5600 PB EINDHOVEN, Bldg. VB,
Tel. (040)2783749, Fax. (040)2788399

New Zealand: 2 Wagener Place, C.P.O. Box 1041, AUCKLAND,
Tel. (09)849-4160, Fax. (09)849-7811

Norway: Box 1, Manglerud 0612, OSLO,
Tel. (022)74 8000, Fax. (022)74 8341

Pakistan: Philips Electrical Industries of Pakistan Ltd.,
Exchange Bldg. ST-2/A, Block 9, KDA Scheme 5, Clifton,
KARACHI 75600, Tel. (021)587 4641-49,
Fax. (021)577035/5874546

Philippines: PHILIPS SEMICONDUCTORS PHILIPPINES Inc.,
106 Valero St. Salcedo Village, P.O. Box 2108 MCC, MAKATI,
Metro MANILA, Tel. (63) 2 816 6380, Fax. (63) 2 817 3474

Portugal: PHILIPS PORTUGUESA, S.A.,
Rua dr. António Loureiro Borges 5, Arquiparque - Miraflores,
Apartado 300, 2795 LINDA-A-VELHA,
Tel. (01)4163160/4163333, Fax. (01)4163174/4163366

Singapore: Lorong 1, Toa Payoh, SINGAPORE 1231,
Tel. (65)350 2000, Fax. (65)251 6500

South Africa: S.A. PHILIPS Pty Ltd.,
195-215 Main Road Martindale, 2092 JOHANNESBURG,
P.O. Box 7430, Johannesburg 2000,
Tel. (011)470-5911, Fax. (011)470-5494

Spain: Balmes 22, 08007 BARCELONA,
Tel. (03)301 6312, Fax. (03)301 42 43

Sweden: Kottbygatan 7, Akalla. S-164 85 STOCKHOLM,
Tel. (0)8-632 2000, Fax. (0)8-632 2745

Switzerland: Allmendstrasse 140, CH-8027 ZÜRICH,
Tel. (01)488 2211, Fax. (01)481 77 30

Taiwan: PHILIPS TAIWAN Ltd., 23-30F, 66, Chung Hsiao West
Road, Sec. 1. Taipeh, Taiwan ROC, P.O. Box 22978,
TAIPEI 100, Tel. (886) 2 382 4443, Fax. (886) 2 382 4444

Thailand: PHILIPS ELECTRONICS (THAILAND) Ltd.,
209/2 Sanpavuth-Bangna Road Prakanong,
Bangkok 10260, THAILAND,
Tel. (66) 2 745-4090, Fax. (66) 2 398-0793

Turkey: Talatpasa Cad. No. 5, 80640 GÜLTEPE/ISTANBUL,
Tel. (0212)279 27 70, Fax. (0212)282 67 07

Ukraine: Philips UKRAINE, 2A Akademika Koroleva str., Office 165,
252148 KIEV, Tel. 380-44-4760297, Fax. 380-44-4766991

United Kingdom: Philips Semiconductors LTD.,
276 Bath Road, Hayes, MIDDLESEX UB3 5BX,
Tel. (0181)730-5000, Fax. (0181)754-8421

United States: 811 East Arques Avenue, SUNNYVALE,
CA 94088-3409, Tel. (800)234-7381, Fax. (708)296-8556

Uruguay: Coronel Mora 433, MONTEVIDEO,
Tel. (02)70-4044, Fax. (02)92 0601

Internet: <http://www.semiconductors.philips.com/ps/>

For all other countries apply to: Philips Semiconductors,
International Marketing and Sales, Building BE-p,
P.O. Box 218, 5600 MD EINDHOVEN, The Netherlands,
Telex 35000 phtcnl, Fax. +31-40-2724825

SCDS47

© Philips Electronics N.V. 1996

All rights are reserved. Reproduction in whole or in part is prohibited without the prior written consent of the copyright owner.

The information presented in this document does not form part of any quotation or contract, is believed to be accurate and reliable and may be changed without notice. No liability will be accepted by the publisher for any consequence of its use. Publication thereof does not convey nor imply any license under patent- or other industrial or intellectual property rights.

Printed in The Netherlands

537021/1100/02/pp16

Date of release: 1996 Jan 12

Document order number:

9397 750 00569