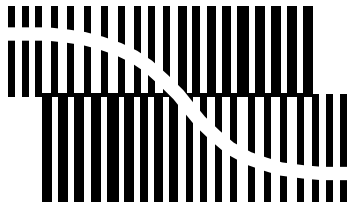


DATA SHEET



BITSTREAM CONVERSION

UDA1324TS

Ultra low-voltage stereo filter DAC

Preliminary specification
Supersedes data of 1999 Oct 12
File under Integrated Circuits, IC01

2000 Jan 20

Ultra low-voltage stereo filter DAC

UDA1324TS

FEATURES

General

- Low power consumption
- Ultra low power supply voltage from 1.9 to 2.7 V
- Selectable control via L3 microcontroller interface or via static pin control
- System clock frequencies of $256f_s$, $384f_s$ and $512f_s$ selectable via L3 interface or $256f_s$ and $384f_s$ via static pin control
- Supports sampling frequencies (f_s) from 16 to 48 kHz
- Integrated digital filter plus non inverting Digital-to-Analog Converter (DAC)
- No analog post filtering required for DAC
- Slave mode only applications
- Easy application
- Small package size (SSOP16).

Multiple format input interface

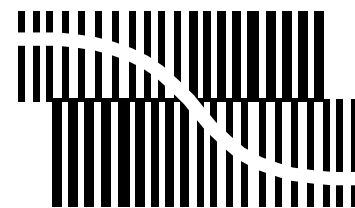
- L3 mode: I²S-bus, MSB-justified or LSB-justified 16, 18 and 20 bits format compatible
- Static pin mode: I²S-bus or LSB-justified 16, 18 and 20 bits format compatible
- $1f_s$ input format data rate.

DAC digital sound processing

- Digital logarithmic volume control in L3 mode
- Digital de-emphasis selection for 32, 44.1 and 48 kHz sampling frequencies in L3 mode or 44.1 kHz sampling frequency in static pin mode
- Soft mute control in static pin mode or in L3 mode.

Advanced audio configuration

- Stereo line output (volume control in L3 mode)
- High linearity, wide dynamic range and low distortion.



BITSTREAM CONVERSION

APPLICATIONS

- Portable digital audio equipment.

GENERAL DESCRIPTION

The UDA1324TS is a single-chip stereo DAC employing bitstream conversion techniques. The ultra low-voltage requirements make the device eminently suitable for use in portable digital audio equipment which incorporates playback functions.

The UDA1324TS supports the I²S-bus data format with word lengths of up to 20 bits, the MSB-justified data format with word lengths of up to 20 bits and the LSB-justified serial data format with word lengths of 16, 18 and 20 bits.

The UDA1324TS can be used in two modes: L3 mode or static pin mode.

In the L3 mode, all digital sound processing features must be controlled via the L3 interface, including the selection of the system clock setting.

In the two static modes, the UDA1324TS can be operated in the $256f_s$ and $384f_s$ system clock mode. Muting, de-emphasis for 44.1 kHz and four digital input formats (I²S-bus or LSB-justified 16, 18 and 20 bits) can be selected via static pins. The L3 interface cannot be used in this application mode, so volume control is not available in this mode.

ORDERING INFORMATION

| TYPE NUMBER | PACKAGE | | |
|-------------|---------|---|----------|
| | NAME | DESCRIPTION | VERSION |
| UDA1324TS | SSOP16 | plastic shrink small outline package; 16 leads; body width 4.4 mm | SOT369-1 |

Ultra low-voltage stereo filter DAC

UDA1324TS

QUICK REFERENCE DATA

| SYMBOL | PARAMETER | CONDITIONS | MIN. | TYP. | MAX. | UNIT |
|--------------------|--|--------------------------|------|------|------|------|
| Supplies | | | | | | |
| V_{DDA} | analog supply voltage | | 1.9 | 2.0 | 2.7 | V |
| V_{DDD} | digital supply voltage | | 1.9 | 2.0 | 2.7 | V |
| I_{DDA} | analog supply current | $V_{DDA} = 2.0\text{ V}$ | – | 3.0 | – | mA |
| I_{DDD} | digital supply current | $V_{DDD} = 2.0\text{ V}$ | – | 1.5 | – | mA |
| DAC; note 1 | | | | | | |
| $V_{o(rms)}$ | output voltage (RMS value) | note 2 | – | 500 | – | mV |
| (THD + N)/S | total harmonic distortion-plus-noise to signal ratio | at 0 dB | – | –83 | –78 | dB |
| | | at –60 dB; A-weighted | – | –36 | – | dB |
| S/N | signal-to-noise ratio | code = 0; A-weighted | – | 97 | – | dB |
| α_{cs} | channel separation | | – | 100 | – | dB |
| T_{amb} | ambient temperature | | –40 | – | +70 | °C |

Notes

1. The analog performance figures are measured at 2.0 V supply voltage.
2. The DAC output voltage scales linearly with the power supply voltage.

BLOCK DIAGRAM

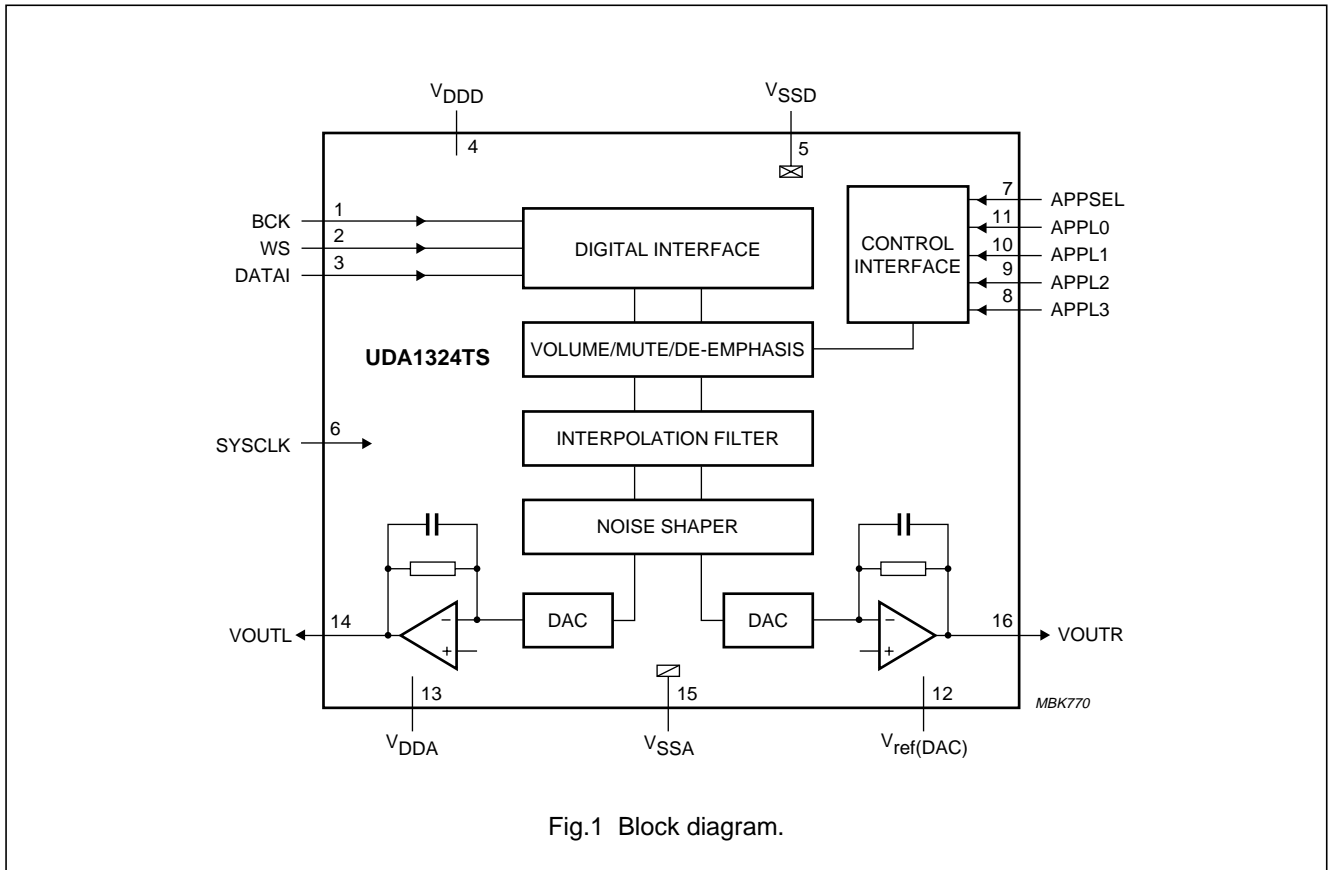


Fig.1 Block diagram.

Ultra low-voltage stereo filter DAC

UDA1324TS

PINNING

| SYMBOL | PIN | DESCRIPTION |
|-----------------------|-----|---|
| BCK | 1 | bit clock input |
| WS | 2 | word select input |
| DATAI | 3 | data input |
| V _{DDD} | 4 | digital supply voltage |
| V _{SSD} | 5 | digital ground |
| SYSCLK | 6 | system clock input: 256f _s , 384f _s and 512f _s |
| APPSEL | 7 | application mode select input |
| APPL3 | 8 | application input pin 3 |
| APPL2 | 9 | application input pin 2 |
| APPL1 | 10 | application input pin 1 |
| APPL0 | 11 | application input pin 0 |
| V _{ref(DAC)} | 12 | DAC reference voltage |
| V _{DDA} | 13 | analog supply voltage for DAC |
| VOUTL | 14 | left channel output |
| V _{SSA} | 15 | analog ground for DAC |
| VOUTR | 16 | right channel output |

FUNCTIONAL DESCRIPTION

System clock

The UDA1324TS operates in the slave mode only. Therefore, in all applications the system devices must provide the system clock. The system frequency (f_{sys}) is selectable and depends on the application mode. The options are: 256f_s, 384f_s and 512f_s for the L3 mode and 256f_s or 384f_s for the static pin mode. The system clock must be locked in frequency to the digital interface input signals.

The UDA1324TS supports sampling frequencies (f_s) from 16 to 48 kHz.

Application modes

The application mode can be set with the three-level pin APPSEL (see Table 1):

- L3 mode
- Static pin mode with f_{sys} = 384f_s
- Static pin mode with f_{sys} = 256f_s.

Table 1 Selecting application mode and system clock frequency via pin APPSEL

| VOLTAGE ON PIN APPSEL | MODE | f _{sys} |
|-----------------------|-----------------|--|
| V _{SSD} | L3 mode | 256f _s , 384f _s or 512f _s |
| 0.5V _{DDD} | static pin mode | 384f _s |
| V _{DDD} | | 256f _s |

The function of an application input pin (active HIGH) depends on the application mode (see Table 2).

Table 2 Functions of application input pins

| PIN | FUNCTION | |
|-------|----------|-----------------|
| | L3 MODE | STATIC PIN MODE |
| APPL0 | TEST | MUTE |
| APPL1 | L3CLOCK | DEEM |
| APPL2 | L3MODE | SF0 |
| APPL3 | L3DATA | SF1 |

For example, in the static pin mode the output signal can be soft muted by setting pin APPL0 to HIGH. De-emphasis can be switched on for 44.1 kHz by setting pin APPL1 to HIGH; setting pin APPL1 to LOW will disable de-emphasis.

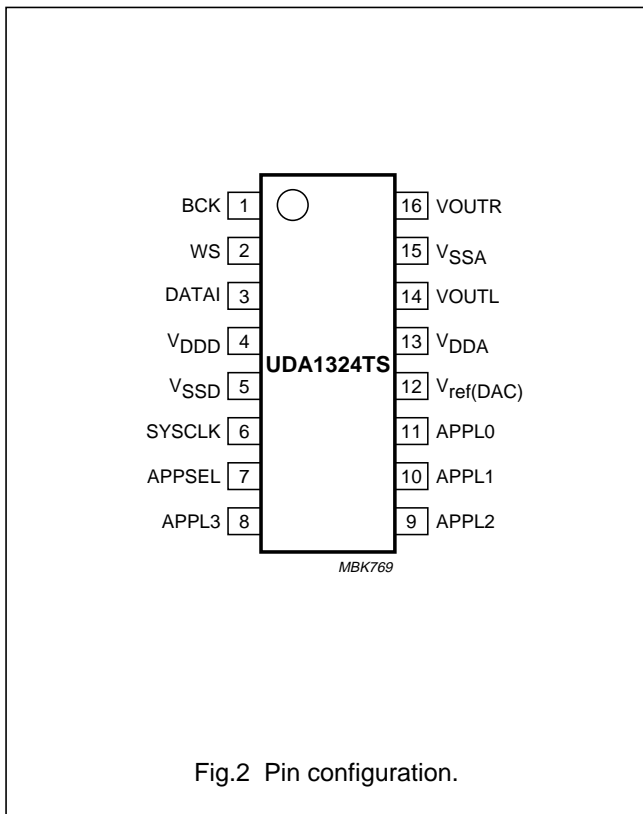


Fig.2 Pin configuration.

Ultra low-voltage stereo filter DAC

UDA1324TS

In the L3 mode, pin APPL0 must be set to LOW. It should be noted that when the L3 mode is used, an initialization must be performed when the IC is powered-up.

Digital interface

DATA FORMATS

The digital interface of the UDA1324TS supports multiple format inputs (see Fig.3).

Left and right data-channel words are time multiplexed.

The WS signal must have a 50% duty factor for all LSB-justified formats.

The BCK clock can be up to $64f_s$, or in other words the BCK frequency is 64 times the Word Select (WS) frequency or less: $f_{BCK} \leq 64 \times f_{WS}$.

Important: the WS edge MUST fall on the negative edge of the BCK at all times for proper operation of the digital interface.

The UDA1324TS also accepts double speed data for double speed data monitoring purposes.

L3 MODE

- I²S-bus format with data word length of up to 20 bits
- MSB-justified format with data word length up to 20 bits
- LSB-justified format with data word length of 16, 18 or 20 bits.

STATIC PIN MODE

- I²S-bus format with data word length of up to 20 bits
- LSB-justified format with data word length of 16, 18 or 20 bits.

These four formats are selectable via the static pin codes SF0 and SF1 (see Table 3).

Table 3 Input format selection using SF0 and SF1

| FORMAT | SF0 | SF1 |
|-----------------------|-----|-----|
| I ² S-bus | 0 | 0 |
| LSB-justified 16 bits | 0 | 1 |
| LSB-justified 18 bits | 1 | 0 |
| LSB-justified 20 bits | 1 | 1 |

Interpolation filter

The digital filter interpolates from $1f_s$ to $128f_s$ by cascading a recursive filter and a FIR filter (see Table 4).

Table 4 Interpolation filter characteristics

| ITEM | CONDITION | VALUE (dB) |
|------------------|----------------|------------|
| Pass-band ripple | 0 to $0.45f_s$ | ± 0.1 |
| Stop band | $>0.55f_s$ | -50 |
| Dynamic range | 0 to $0.45f_s$ | 108 |

Noise shaper

The 3rd-order noise shaper operates at $128f_s$. It shifts in-band quantization noise to frequencies well above the audio band. This noise shaping technique enables high signal-to-noise ratios to be achieved. The noise shaper output is converted into an analog signal using a Filter Stream Digital-to-Analog Converter (FSDAC).

Filter stream DAC

The FSDAC is a semi-digital reconstruction filter that converts the 1-bit data stream of the noise shaper to an analog output voltage. The filter coefficients are implemented as current sources and are summed at virtual ground of the output operational amplifier. In this way very high signal-to-noise performance and low clock jitter sensitivity is achieved. A post filter is not needed due to the inherent filter function of the DAC. On-board amplifiers convert the FSDAC output current to an output voltage capable of driving a line output.

The output voltage of the FSDAC scales linearly with the power supply voltage.

Ultra low-voltage stereo filter DAC

UDA1324TS

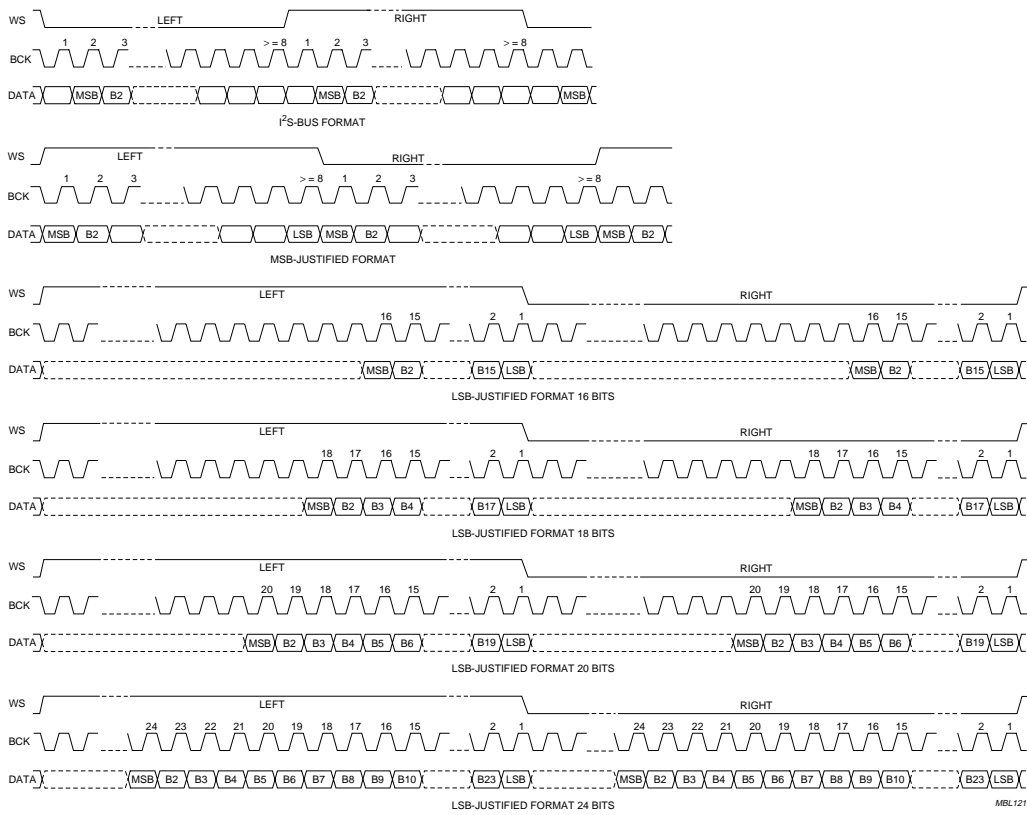


Fig.3 Digital interface input data formats.

Ultra low-voltage stereo filter DAC

UDA1324TS

L3 INTERFACE

The following system and digital sound processing features can be controlled in the L3 mode of the UDA1324TS:

- System clock frequency
- Data input format
- De-emphasis for 32, 44.1 and 48 kHz
- Volume
- Soft mute.

The exchange of data and control information between the microcontroller and the UDA1324TS is accomplished through a serial interface comprising the following signals:

- L3DATA
- L3MODE
- L3CLOCK.

Information transfer through the microcontroller bus is organized in accordance with the L3 interface format, in which two different modes of operation can be distinguished: address mode and data transfer mode.

Address mode

The address mode (see Fig.4) is required to select a device communicating via the L3 interface and to define the destination registers for the data transfer mode.

Data bits 7 to 2 represent a 6-bit device address where bit 7 is the MSB. The address of the UDA1324TS is 000101 (bit 7 to bit 2). If the UDA1324TS receives a different address, it will deselect its microcontroller interface logic.

Data transfer mode

The selected address remains active during subsequent data transfers until the UDA1324TS receives a new address command.

The fundamental timing of data transfers (see Fig.5) is essentially the same as the address mode. The maximum input clock frequency and data rate is $64f_s$.

Data transfer can only be in one direction, consisting of input to the UDA1324TS to program sound processing and other functional features. All data transfers are by 8-bit bytes. Data will be stored in the UDA1324TS after reception of a complete byte.

A multi-byte transfer is illustrated in Fig.6.

Registers

The sound processing and other feature values are stored in independent registers. The first selection of the registers is achieved by the choice of data type that is transferred. This is performed in the address mode using bit 1 and bit 0 (see Table 5).

Table 5 Selection of data transfer

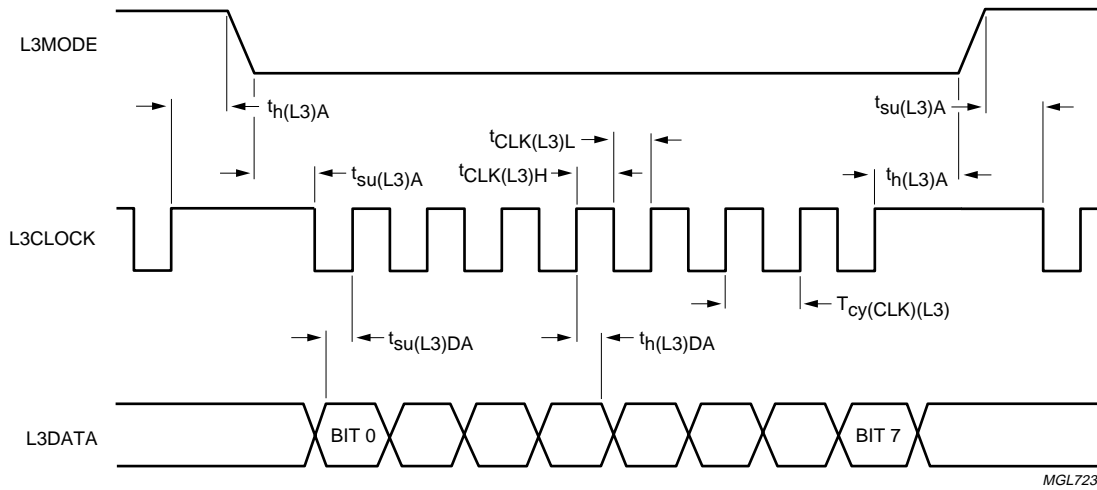
| BIT 1 | BIT 0 | TRANSFER |
|-------|-------|--|
| 0 | 0 | data (volume, de-emphasis, mute) |
| 0 | 1 | not used |
| 1 | 0 | status (system clock frequency, data input format) |
| 1 | 1 | not used |

The second selection is performed by the 2 MSBs of the data byte (bit 7 and bit 6). The other bits in the data byte (bit 5 to bit 0) represent the value that is placed in the selected registers.

The 'status' settings are given in Table 6 and the 'data' settings are given in Table 7.

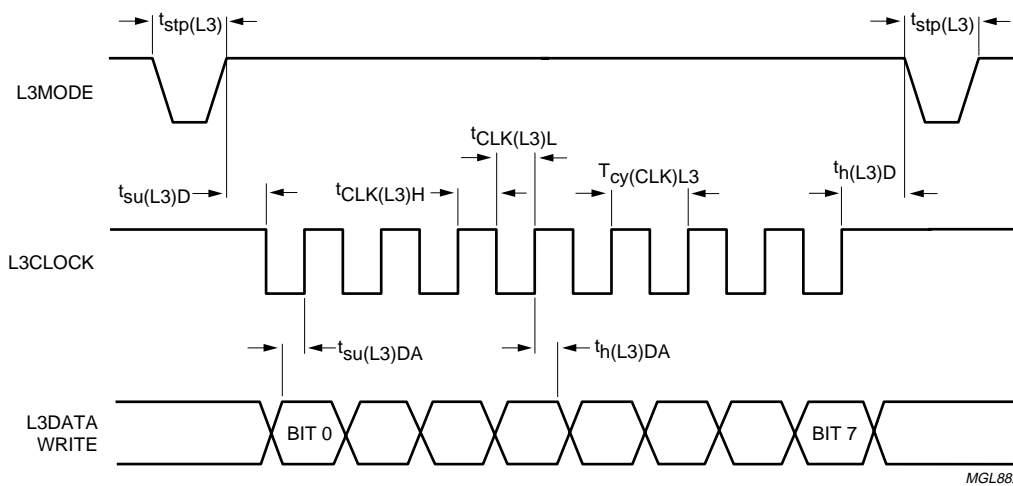
Ultra low-voltage stereo filter DAC

UDA1324TS



MGL723

Fig.4 Timing address mode.



MGL882

Fig.5 Timing data transfer mode.

Ultra low-voltage stereo filter DAC

UDA1324TS

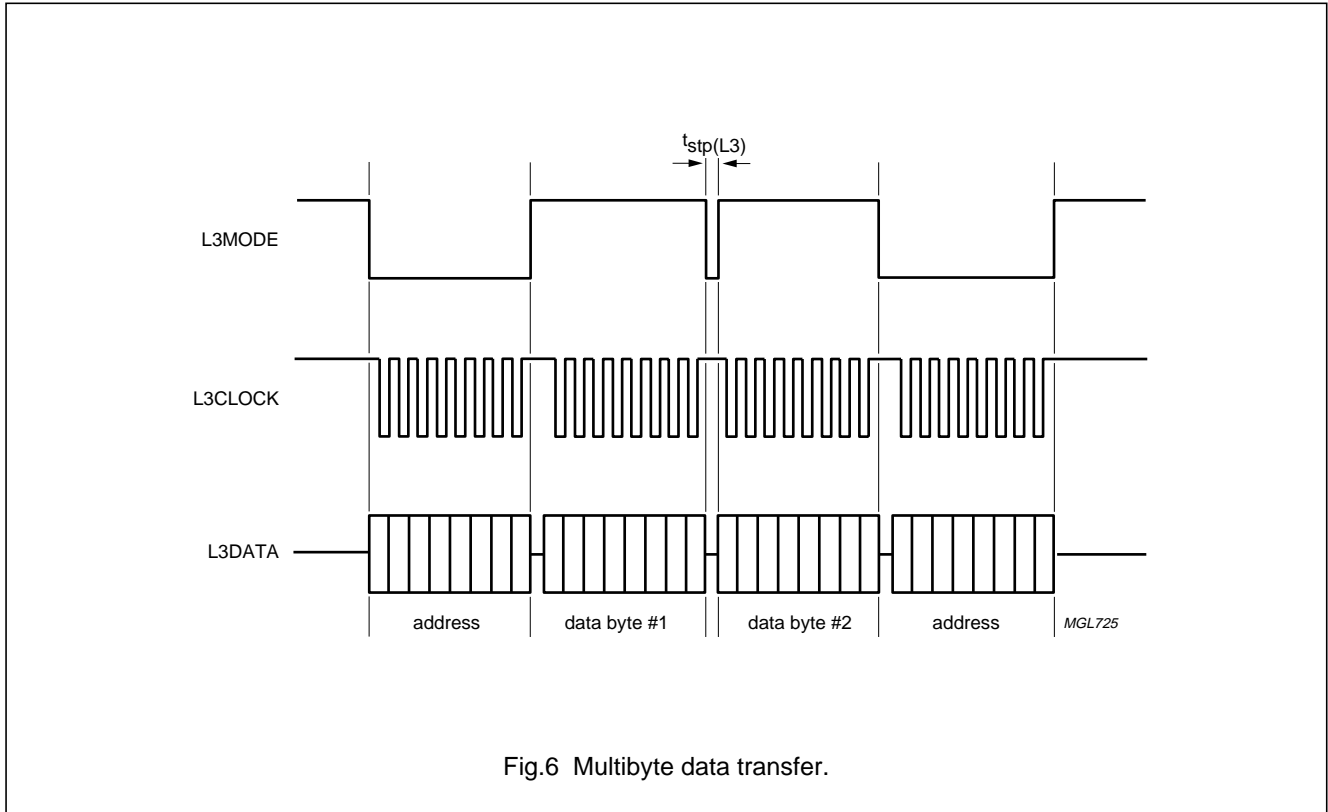


Fig.6 Multibyte data transfer.

Programming the features

When the data transfer of type 'status' is selected, the features for the system clock frequency and the data input format can be controlled.

Table 6 Data transfer of type 'status'

| BIT 7 | BIT 6 | BIT 5 | BIT 4 | BIT 3 | BIT 2 | BIT 1 | BIT 0 | REGISTER SELECTED |
|-------|-------|-------|-------|-------|-------|-------|-------|---|
| 0 | 0 | SC1 | SC0 | IF2 | IF1 | IF0 | 0 | SC = system clock frequency (2 bits); see Table 8 IF = data input format (3 bits); see Table 9 |
| 1 | 0 | 0 | 0 | 0 | 0 | 0 | 0 | not used |

When the data transfer of type 'data' is selected, the features for volume, de-emphasis and mute can be controlled.

Table 7 Data transfer of type 'data'

| BIT 7 | BIT 6 | BIT 5 | BIT 4 | BIT 3 | BIT 2 | BIT 1 | BIT 0 | REGISTER SELECTED |
|-------|-------|-------|-------|-------|-------|-------|-------|--|
| 0 | 0 | VC5 | VC4 | VC3 | VC2 | VC1 | VC0 | VC = volume control (6 bits); see Table 11 |
| 0 | 1 | 0 | 0 | 0 | 0 | 0 | 0 | not used |
| 1 | 0 | 0 | DE1 | DE0 | MT | 0 | 0 | DE = de-emphasis (2 bits); see Table 10 MT = mute (1 bit); see Table 12 |
| 1 | 1 | 0 | 0 | 0 | 0 | 0 | 1 | default setting |

Ultra low-voltage stereo filter DAC

UDA1324TS

SYSTEM CLOCK FREQUENCY

The system clock frequency is a 2-bit value to select the external clock frequency.

Table 8 System clock settings

| SC1 | SC0 | FUNCTION |
|-----|-----|-------------------|
| 0 | 0 | 512f _s |
| 0 | 1 | 384f _s |
| 1 | 0 | 256f _s |
| 1 | 1 | not used |

DATA FORMAT

The data format is a 3-bit value to select the used data format.

Table 9 Data input format settings

| IF2 | IF1 | IF0 | FORMAT |
|-----|-----|-----|-----------------------|
| 0 | 0 | 0 | I ² S-bus |
| 0 | 0 | 1 | LSB-justified 16 bits |
| 0 | 1 | 0 | LSB-justified 18 bits |
| 0 | 1 | 1 | LSB-justified 20 bits |
| 1 | 0 | 0 | MSB-justified |
| 1 | 0 | 1 | not used |
| 1 | 1 | 0 | not used |
| 1 | 1 | 1 | not used |

DE-EMPHASIS

De-emphasis is a 2-bit value to enable the digital de-emphasis filter.

Table 10 De-emphasis settings

| DE1 | DE0 | FUNCTION |
|-----|-----|-----------------------|
| 0 | 0 | no de-emphasis |
| 0 | 1 | de-emphasis, 32 kHz |
| 1 | 0 | de-emphasis, 44.1 kHz |
| 1 | 1 | de-emphasis, 48 kHz |

VOLUME CONTROL

The volume control is a 6-bit value to program the volume attenuation from 0 to -60 dB and -∞ dB in steps of 1 dB.

Table 11 Volume settings

| VC5 | VC4 | VC3 | VC2 | VC1 | VC0 | VOLUME (dB) |
|-----|-----|-----|-----|-----|-----|-------------|
| 0 | 0 | 0 | 0 | 0 | 0 | 0 |
| 0 | 0 | 0 | 0 | 0 | 1 | 0 |
| 0 | 0 | 0 | 0 | 1 | 0 | -1 |
| 0 | 0 | 0 | 0 | 1 | 1 | -2 |
| : | : | : | : | : | : | : |
| 1 | 1 | 0 | 0 | 1 | 1 | -51 |
| 1 | 1 | 0 | 1 | 0 | 0 | |
| 1 | 1 | 0 | 1 | 0 | 1 | -52 |
| 1 | 1 | 0 | 1 | 1 | 0 | |
| 1 | 1 | 0 | 1 | 1 | 1 | -54 |
| 1 | 1 | 1 | 0 | 0 | 0 | |
| 1 | 1 | 1 | 0 | 0 | 1 | -57 |
| 1 | 1 | 1 | 0 | 1 | 0 | |
| 1 | 1 | 1 | 1 | 0 | 0 | -60 |
| 1 | 1 | 1 | 1 | 0 | 1 | |
| 1 | 1 | 1 | 1 | 1 | 0 | -∞ |
| 1 | 1 | 1 | 1 | 1 | 1 | |

MUTE

Mute is a 1-bit value to enable the digital mute.

Table 12 Mute setting

| MT | FUNCTION |
|----|-----------|
| 0 | no muting |
| 1 | muting |

Ultra low-voltage stereo filter DAC

UDA1324TS

LIMITING VALUES

In accordance with the Absolute Maximum Rating System (IEC 60134).

| SYMBOL | PARAMETER | CONDITIONS | MIN. | MAX. | UNIT |
|-----------------------|--------------------------------|---|-------|-------|------|
| V _{DDD} | digital supply voltage | note 1 | – | 5.0 | V |
| V _{DDA} | analog supply voltage | note 1 | – | 5.0 | V |
| T _{xal(max)} | maximum crystal temperature | | – | 150 | °C |
| T _{stg} | storage temperature | | –65 | +125 | °C |
| T _{amb} | ambient temperature | | –40 | +85 | °C |
| V _{es} | electrostatic handling voltage | note 2 | –3000 | +3000 | V |
| | | note 3 | –300 | +300 | V |
| I _{sc(DAC)} | short-circuit current of DAC | note 4 | | | |
| | | output short-circuited to V _{SSA(DAC)} | – | 450 | mA |
| | | output short-circuited to V _{DDA(DAC)} | – | 300 | mA |

Notes

- All supply connections must be made to the same power supply.
- Equivalent to discharging a 100 pF capacitor via a 1.5 kΩ series resistor, except pin 14 which can withstand ESD pulses of –2500 to +2500 V.
- Equivalent to discharging a 200 pF capacitor via a 2.5 μH series inductor.
- Short-circuit test at T_{amb} = 0 °C and V_{DDA} = 3 V. DAC operation after short-circuiting cannot be warranted.

HANDLING

Inputs and outputs are protected against electrostatic discharge in normal handling. However, to be totally safe, it is desirable to take normal precautions appropriate to handling MOS devices.

THERMAL CHARACTERISTICS

| SYMBOL | PARAMETER | CONDITIONS | VALUE | UNIT |
|----------------------|---|-------------|-------|------|
| R _{th(j-a)} | thermal resistance from junction to ambient | in free air | 190 | K/W |

QUALITY SPECIFICATION

In accordance with "SNW-FQ-611-E".

DC CHARACTERISTICS

V_{DDD} = V_{DDA} = 2.0 V; T_{amb} = 25 °C; R_L = 5 kΩ; all voltages referenced to ground (pins V_{SSA} and V_{SSD}); unless otherwise specified.

| SYMBOL | PARAMETER | CONDITIONS | MIN. | TYP. | MAX. | UNIT |
|------------------|------------------------|------------|------|------|------|------|
| Supplies | | | | | | |
| V _{DDA} | analog supply voltage | note 1 | 1.9 | 2.0 | 2.7 | V |
| V _{DDD} | digital supply voltage | note 1 | 1.9 | 2.0 | 2.7 | V |
| I _{DDA} | analog supply current | operating | – | 3.0 | – | mA |
| I _{DDD} | digital supply current | operating | – | 1.5 | – | mA |

Ultra low-voltage stereo filter DAC

UDA1324TS

| SYMBOL | PARAMETER | CONDITIONS | MIN. | TYP. | MAX. | UNIT |
|---|----------------------------|--|---------------|--------------|-----------------|------------------|
| Digital inputs: pins BCK, WS, DATAI, SYSCLK, APPL0, APPL1, APPL2 and APPL3 | | | | | | |
| V_{IH} | HIGH-level input voltage | | $0.8V_{DDD}$ | – | – | V |
| V_{IL} | LOW-level input voltage | | – | – | $0.2V_{DDD}$ | V |
| $ I_{LI} $ | input leakage current | | – | – | 1 | μA |
| C_I | input capacitance | | – | – | 10 | pF |
| Three-level input: pin APPSEL | | | | | | |
| V_{IH} | HIGH-level input voltage | | $0.8V_{DDD}$ | – | $V_{DDD} + 0.5$ | V |
| V_{IM} | MIDDLE-level input voltage | | $0.3V_{DDD}$ | – | $0.7V_{DDD}$ | V |
| V_{IL} | LOW-level input voltage | | –0.5 | – | $0.2V_{DDD}$ | V |
| DAC | | | | | | |
| $V_{ref(DAC)}$ | reference voltage | referenced to V_{SSA} | $0.45V_{DDA}$ | $0.5V_{DDA}$ | $0.55V_{DDA}$ | V |
| $I_{o(max)}$ | maximum output current | (THD + N)/S < 0.1%; $R_L = 5 \text{ k}\Omega$ | – | 0.16 | – | mA |
| R_O | output resistance | | – | 0.15 | 2.0 | Ω |
| R_L | load resistance | | 3 | – | – | $\text{k}\Omega$ |
| C_L | load capacitance | note 2 | – | – | 50 | pF |

Notes

1. All supply connections must be made to the same external power supply unit.
2. When the DAC drives a capacitive load above 50 pF, a series resistance of 100 Ω must be used to prevent oscillations in the output operational amplifier.

AC CHARACTERISTICS

$V_{DDD} = V_{DDA} = 2.0 \text{ V}$; $f_i = 1 \text{ kHz}$; $T_{amb} = 25 \text{ }^\circ\text{C}$; $R_L = 5 \text{ k}\Omega$; all voltages referenced to ground (pins V_{SSA} and V_{SSD}); unless otherwise specified.

| SYMBOL | PARAMETER | CONDITIONS | MIN. | TYP. | MAX. | UNIT |
|---------------|--|---|------|------|------|------|
| DAC | | | | | | |
| $V_{o(rms)}$ | output voltage (RMS value) | | – | 500 | – | mV |
| ΔV_o | unbalance voltage between channels | | – | 0.1 | – | dB |
| (THD + N)/S | total harmonic distortion-plus-noise to signal ratio | at 0 dB | – | –83 | –78 | dB |
| | | at –60 dB; A-weighted | – | –36 | – | dB |
| S/N | signal-to-noise ratio | code = 0; A-weighted | – | 97 | – | dB |
| α_{cs} | channel separation | | – | 100 | – | dB |
| PSRR | power supply ripple rejection ratio | $f_{ripple} = 1 \text{ kHz}$; $V_{ripple} = 100 \text{ mV (p-p)}$ | – | 50 | – | dB |

Ultra low-voltage stereo filter DAC

UDA1324TS

TIMING

$V_{DD} = V_{DDA} = 1.9$ to 2.7 V; $T_{amb} = -40$ to $+85$ °C; $R_L = 5$ k Ω ; all voltages referenced to ground (pins V_{SSA} and V_{SSD}); unless otherwise specified.

| SYMBOL | PARAMETER | CONDITIONS | MIN. | TYP. | MAX. | UNIT |
|--|---|-------------------------|--------------|------|--------------|------|
| System clock (see Fig.7) | | | | | | |
| T_{sys} | system clock cycle time | $f_{sys} = 256f_s$ | 78 | 88 | 244 | ns |
| | | $f_{sys} = 384f_s$ | 52 | 59 | 162 | ns |
| | | $f_{sys} = 512f_s$ | 39 | 44 | 122 | ns |
| t_{CWL} | LOW-level system clock pulse width | $f_{sys} < 19.2$ MHz | $0.3T_{sys}$ | – | $0.7T_{sys}$ | ns |
| | | $f_{sys} \geq 19.2$ MHz | $0.4T_{sys}$ | – | $0.6T_{sys}$ | ns |
| t_{CWH} | HIGH-level system clock pulse width | $f_{sys} < 19.2$ MHz | $0.3T_{sys}$ | – | $0.7T_{sys}$ | ns |
| | | $f_{sys} \geq 19.2$ MHz | $0.4T_{sys}$ | – | $0.6T_{sys}$ | ns |
| Digital interface with I²S-bus (see Fig.8) | | | | | | |
| $T_{cy(BCK)}$ | bit clock cycle time | | 300 | – | – | ns |
| t_{BCKH} | bit clock HIGH time | | 100 | – | – | ns |
| t_{BCKL} | bit clock LOW time | | 100 | – | – | ns |
| t_r | rise time | | – | – | 20 | ns |
| t_f | fall time | | – | – | 20 | ns |
| $t_{su(DATAI)}$ | data input set-up time | | 20 | – | – | ns |
| $t_h(DATAI)$ | data input hold time | | 0 | – | – | ns |
| $t_{su(WS)}$ | word select set-up time | | 20 | – | – | ns |
| $t_h(WS)$ | word select hold time | | 10 | – | – | ns |
| Control L3 interface (see Figs 4 and 5) | | | | | | |
| $T_{cy(CLK)L3}$ | L3CLOCK cycle time | | 500 | – | – | ns |
| $t_{CLK(L3)H}$ | L3CLOCK HIGH time | | 250 | – | – | ns |
| $t_{CLK(L3)L}$ | L3CLOCK LOW time | | 250 | – | – | ns |
| $t_{su(L3)A}$ | L3MODE set-up time for address mode | | 190 | – | – | ns |
| $t_h(L3)A$ | L3MODE hold time for address mode | | 190 | – | – | ns |
| $t_{su(L3)D}$ | L3MODE set-up time for data transfer mode | | 190 | – | – | ns |
| $t_h(L3)D$ | L3MODE hold time for data transfer mode | | 190 | – | – | ns |
| $t_{su(L3)DA}$ | L3DATA set-up time for data transfer and address mode | | 190 | – | – | ns |
| $t_h(L3)DA$ | L3DATA hold time for data transfer and address mode | | 30 | – | – | ns |
| $t_{stp(L3)}$ | L3MODE stop time for data transfer mode | | 190 | – | – | ns |

Ultra low-voltage stereo filter DAC

UDA1324TS

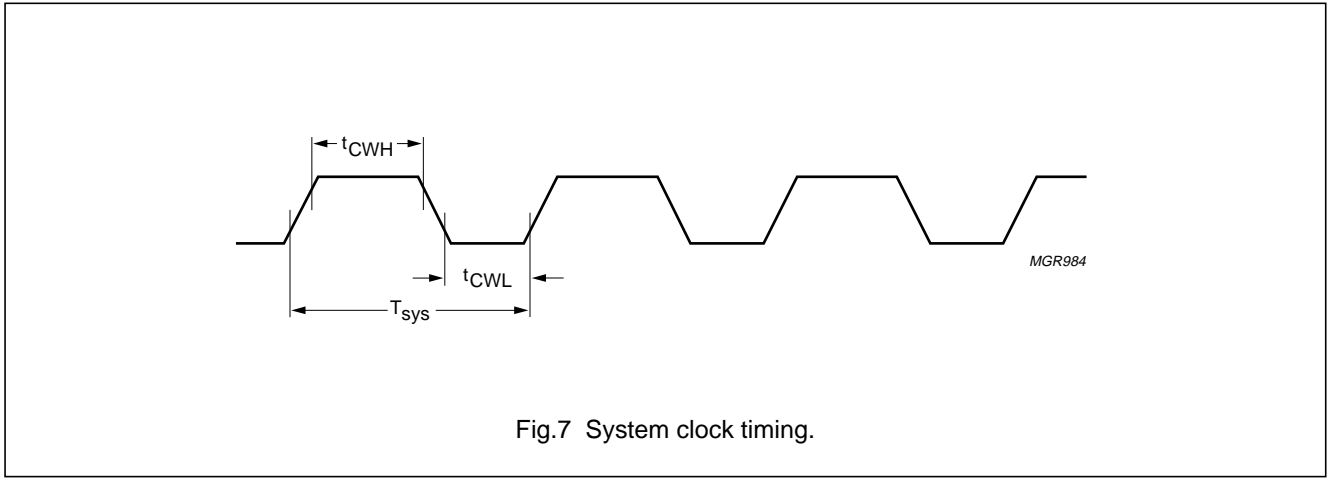


Fig.7 System clock timing.

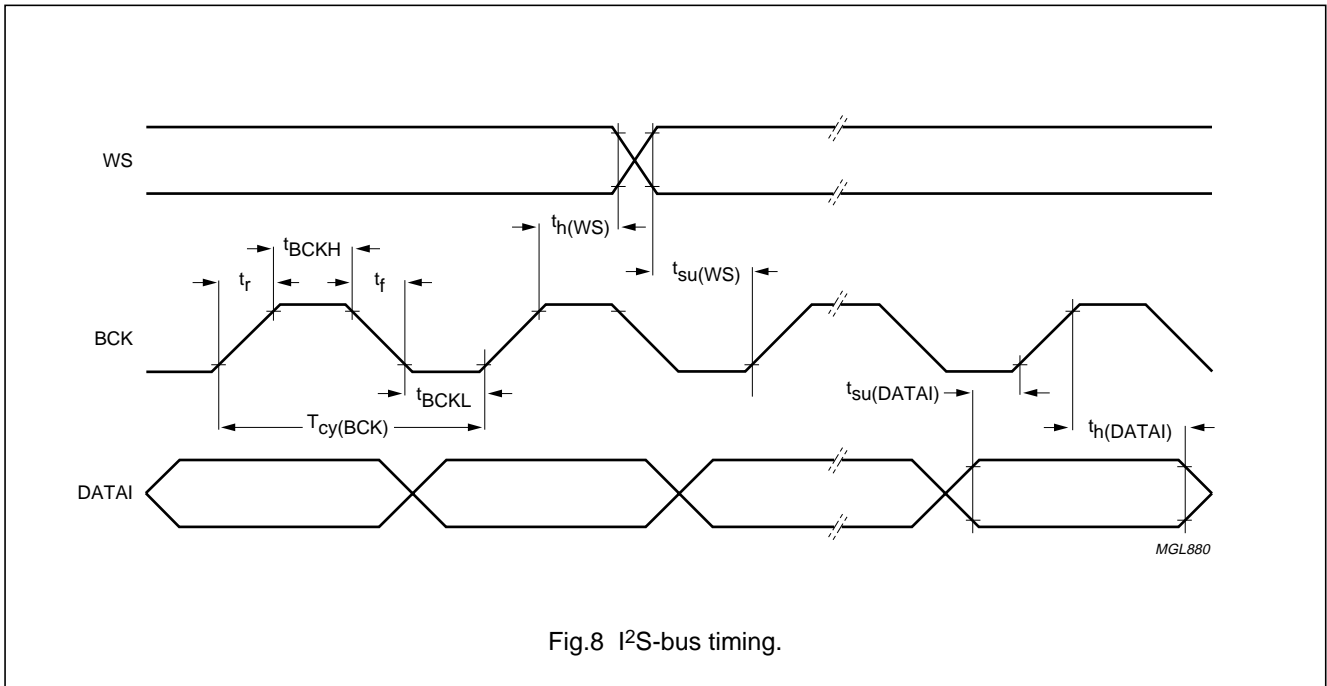


Fig.8 I²S-bus timing.

Ultra low-voltage stereo filter DAC

UDA1324TS

APPLICATION INFORMATION

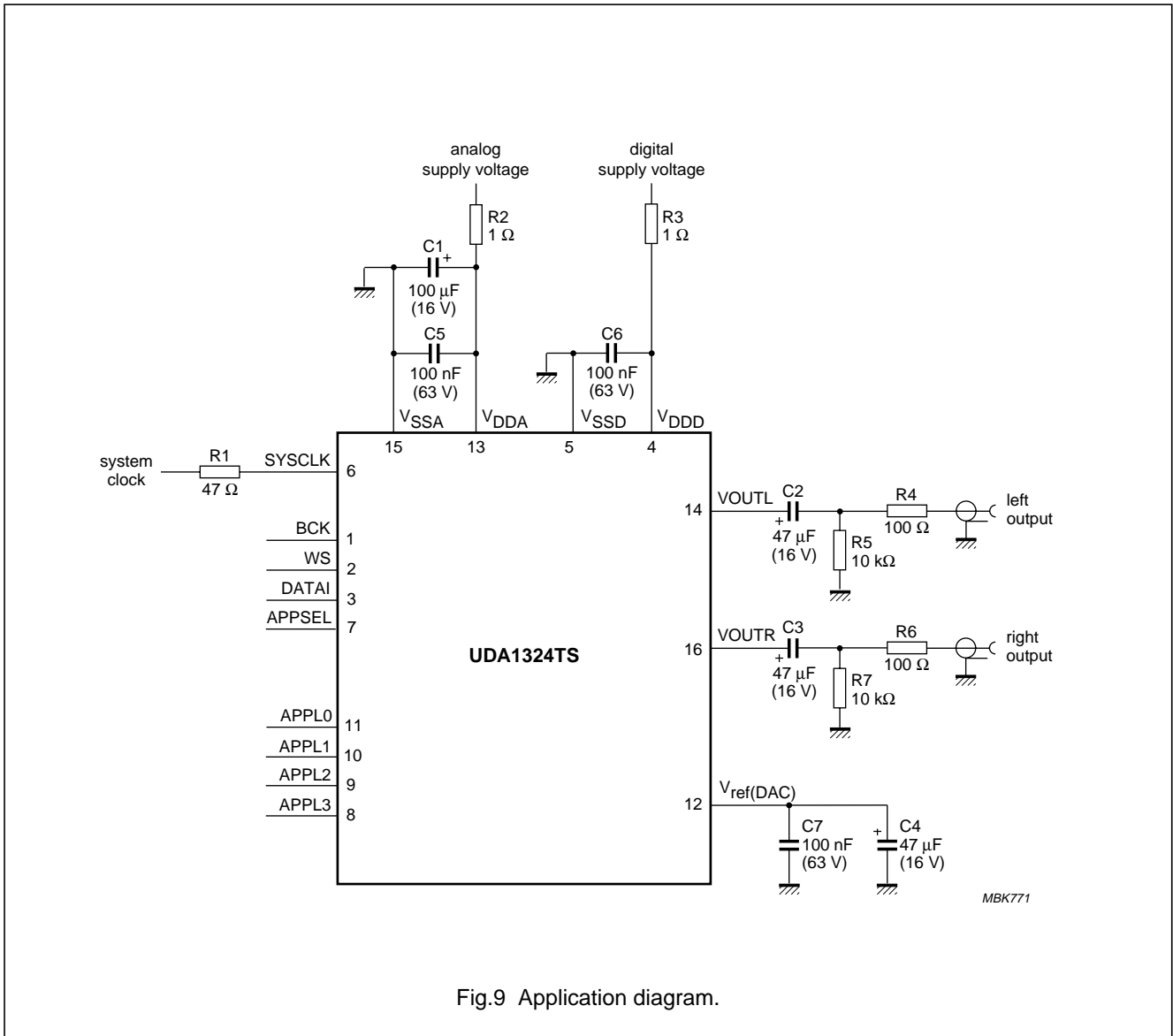


Fig.9 Application diagram.

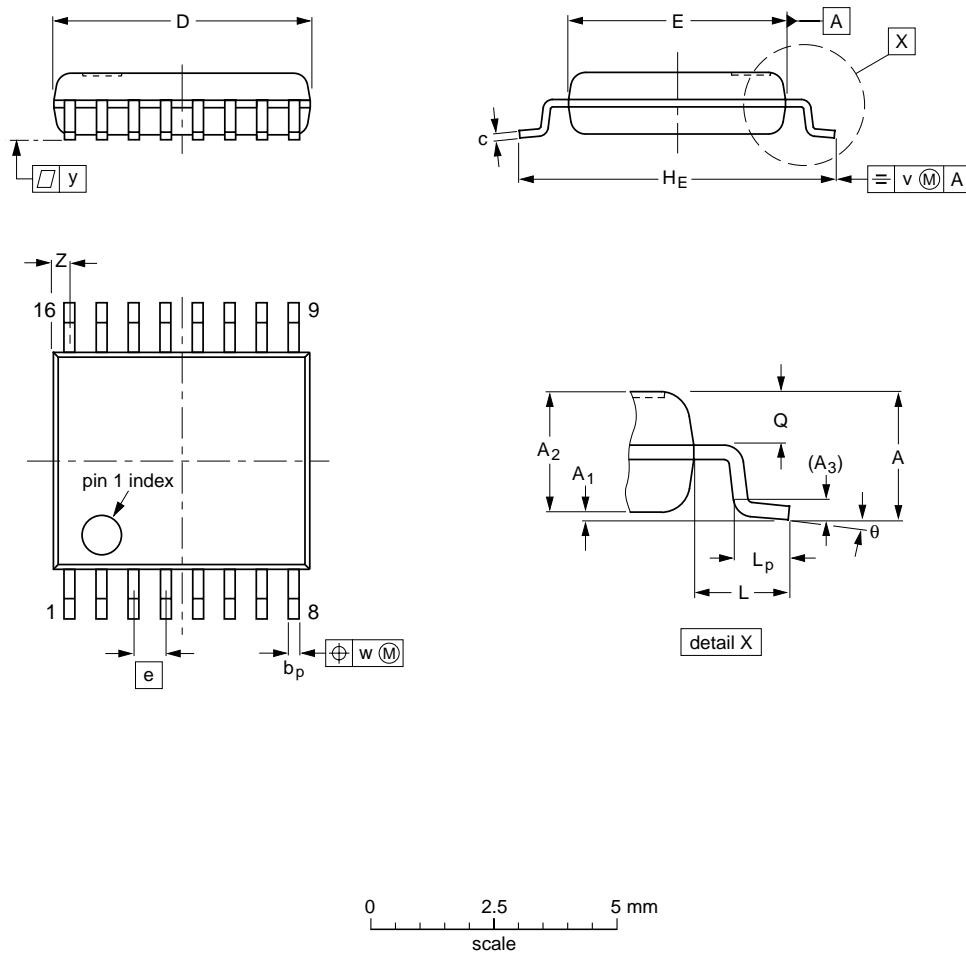
Ultra low-voltage stereo filter DAC

UDA1324TS

PACKAGE OUTLINE

SSOP16: plastic shrink small outline package; 16 leads; body width 4.4 mm

SOT369-1



DIMENSIONS (mm are the original dimensions)

| UNIT | A max. | A ₁ | A ₂ | A ₃ | b _p | c | D ⁽¹⁾ | E ⁽¹⁾ | e | H _E | L | L _p | Q | v | w | y | z ⁽¹⁾ | θ |
|------|--------|----------------|----------------|----------------|----------------|--------------|------------------|------------------|------|----------------|-----|----------------|--------------|-----|------|-----|------------------|-----------|
| mm | 1.5 | 0.15 0.00 | 1.4 1.2 | 0.25 | 0.32 0.20 | 0.25 0.13 | 5.30 5.10 | 4.5 4.3 | 0.65 | 6.6 6.2 | 1.0 | 0.75 0.45 | 0.65 0.45 | 0.2 | 0.13 | 0.1 | 0.48 0.18 | 10° 0° |

Note

1. Plastic or metal protrusions of 0.20 mm maximum per side are not included.

| OUTLINE VERSION | REFERENCES | | | | EUROPEAN PROJECTION | ISSUE DATE |
|-----------------|------------|--------|------|--|---------------------|----------------------|
| | IEC | JEDEC | EIAJ | | | |
| SOT369-1 | | MO-152 | | | | 95-02-04 99-12-27 |

Ultra low-voltage stereo filter DAC

UDA1324TS

SOLDERING

Introduction to soldering surface mount packages

This text gives a very brief insight to a complex technology. A more in-depth account of soldering ICs can be found in our *"Data Handbook IC26; Integrated Circuit Packages"* (document order number 9398 652 90011).

There is no soldering method that is ideal for all surface mount IC packages. Wave soldering is not always suitable for surface mount ICs, or for printed-circuit boards with high population densities. In these situations reflow soldering is often used.

Reflow soldering

Reflow soldering requires solder paste (a suspension of fine solder particles, flux and binding agent) to be applied to the printed-circuit board by screen printing, stencilling or pressure-syringe dispensing before package placement.

Several methods exist for reflowing; for example, infrared/convection heating in a conveyor type oven. Throughput times (preheating, soldering and cooling) vary between 100 and 200 seconds depending on heating method.

Typical reflow peak temperatures range from 215 to 250 °C. The top-surface temperature of the packages should preferably be kept below 230 °C.

Wave soldering

Conventional single wave soldering is not recommended for surface mount devices (SMDs) or printed-circuit boards with a high component density, as solder bridging and non-wetting can present major problems.

To overcome these problems the double-wave soldering method was specifically developed.

If wave soldering is used the following conditions must be observed for optimal results:

- Use a double-wave soldering method comprising a turbulent wave with high upward pressure followed by a smooth laminar wave.
- For packages with leads on two sides and a pitch (e):
 - larger than or equal to 1.27 mm, the footprint longitudinal axis is **preferred** to be parallel to the transport direction of the printed-circuit board;
 - smaller than 1.27 mm, the footprint longitudinal axis **must** be parallel to the transport direction of the printed-circuit board.

The footprint must incorporate solder thieves at the downstream end.

- For packages with leads on four sides, the footprint must be placed at a 45° angle to the transport direction of the printed-circuit board. The footprint must incorporate solder thieves downstream and at the side corners.

During placement and before soldering, the package must be fixed with a droplet of adhesive. The adhesive can be applied by screen printing, pin transfer or syringe dispensing. The package can be soldered after the adhesive is cured.

Typical dwell time is 4 seconds at 250 °C.

A mildly-activated flux will eliminate the need for removal of corrosive residues in most applications.

Manual soldering

Fix the component by first soldering two diagonally-opposite end leads. Use a low voltage (24 V or less) soldering iron applied to the flat part of the lead. Contact time must be limited to 10 seconds at up to 300 °C.

When using a dedicated tool, all other leads can be soldered in one operation within 2 to 5 seconds between 270 and 320 °C.

Ultra low-voltage stereo filter DAC

UDA1324TS

Suitability of surface mount IC packages for wave and reflow soldering methods

| PACKAGE | SOLDERING METHOD | |
|--|-----------------------------------|-----------------------|
| | WAVE | REFLOW ⁽¹⁾ |
| BGA, LFBGA, SQFP, TFBGA | not suitable | suitable |
| HBCC, HLQFP, HSQFP, HSOP, HTQFP, HTSSOP, SMS | not suitable ⁽²⁾ | suitable |
| PLCC ⁽³⁾ , SO, SOJ | suitable | suitable |
| LQFP, QFP, TQFP | not recommended ⁽³⁾⁽⁴⁾ | suitable |
| SSOP, TSSOP, VSO | not recommended ⁽⁵⁾ | suitable |

Notes

- All surface mount (SMD) packages are moisture sensitive. Depending upon the moisture content, the maximum temperature (with respect to time) and body size of the package, there is a risk that internal or external package cracks may occur due to vaporization of the moisture in them (the so called popcorn effect). For details, refer to the Drypack information in the "Data Handbook IC26; Integrated Circuit Packages; Section: Packing Methods".
- These packages are not suitable for wave soldering as a solder joint between the printed-circuit board and heatsink (at bottom version) can not be achieved, and as solder may stick to the heatsink (on top version).
- If wave soldering is considered, then the package must be placed at a 45° angle to the solder wave direction. The package footprint must incorporate solder thieves downstream and at the side corners.
- Wave soldering is only suitable for LQFP, TQFP and QFP packages with a pitch (e) equal to or larger than 0.8 mm; it is definitely not suitable for packages with a pitch (e) equal to or smaller than 0.65 mm.
- Wave soldering is only suitable for SSOP and TSSOP packages with a pitch (e) equal to or larger than 0.65 mm; it is definitely not suitable for packages with a pitch (e) equal to or smaller than 0.5 mm.

DEFINITIONS

| Data sheet status | |
|---|---|
| Objective specification | This data sheet contains target or goal specifications for product development. |
| Preliminary specification | This data sheet contains preliminary data; supplementary data may be published later. |
| Product specification | This data sheet contains final product specifications. |
| Limiting values | |
| Limiting values given are in accordance with the Absolute Maximum Rating System (IEC 134). Stress above one or more of the limiting values may cause permanent damage to the device. These are stress ratings only and operation of the device at these or at any other conditions above those given in the Characteristics sections of the specification is not implied. Exposure to limiting values for extended periods may affect device reliability. | |
| Application information | |
| Where application information is given, it is advisory and does not form part of the specification. | |

LIFE SUPPORT APPLICATIONS

These products are not designed for use in life support appliances, devices, or systems where malfunction of these products can reasonably be expected to result in personal injury. Philips customers using or selling these products for use in such applications do so at their own risk and agree to fully indemnify Philips for any damages resulting from such improper use or sale.

Ultra low-voltage stereo filter DAC

UDA1324TS

NOTES

Philips Semiconductors – a worldwide company

Argentina: see South America

Australia: 3 Figtree Drive, HOMEBUSH, NSW 2140,
Tel. +61 2 9704 8141, Fax. +61 2 9704 8139

Austria: Computerstr. 6, A-1101 WIEN, P.O. Box 213,
Tel. +43 1 60 101 1248, Fax. +43 1 60 101 1210

Belarus: Hotel Minsk Business Center, Bld. 3, r. 1211, Volodarski Str. 6,
220050 MINSK, Tel. +375 172 20 0733, Fax. +375 172 20 0773

Belgium: see The Netherlands

Brazil: see South America

Bulgaria: Philips Bulgaria Ltd., Energoproject, 15th floor,
51 James Bourchier Blvd., 1407 SOFIA,
Tel. +359 2 68 9211, Fax. +359 2 68 9102

Canada: PHILIPS SEMICONDUCTORS/COMPONENTS,
Tel. +1 800 234 7381, Fax. +1 800 943 0087

China/Hong Kong: 501 Hong Kong Industrial Technology Centre,
72 Tat Chee Avenue, Kowloon Tong, HONG KONG,
Tel. +852 2319 7888, Fax. +852 2319 7700

Colombia: see South America

Czech Republic: see Austria

Denmark: Sydhavnsgade 23, 1780 COPENHAGEN V,
Tel. +45 33 29 3333, Fax. +45 33 29 3905

Finland: Sinikalliontie 3, FIN-02630 ESPOO,
Tel. +358 9 615 800, Fax. +358 9 6158 0920

France: 51 Rue Carnot, BP317, 92156 SURESNES Cedex,
Tel. +33 1 4099 6161, Fax. +33 1 4099 6427

Germany: Hammerbrookstraße 69, D-20097 HAMBURG,
Tel. +49 40 2353 60, Fax. +49 40 2353 6300

Hungary: see Austria

India: Philips INDIA Ltd, Band Box Building, 2nd floor,
254-D, Dr. Annie Besant Road, Worli, MUMBAI 400 025,
Tel. +91 22 493 8541, Fax. +91 22 493 0966

Indonesia: PT Philips Development Corporation, Semiconductors Division,
Gedung Philips, Jl. Buncit Raya Kav.99-100, JAKARTA 12510,
Tel. +62 21 794 0040 ext. 2501, Fax. +62 21 794 0080

Ireland: Newstead, Clonskeagh, DUBLIN 14,
Tel. +353 1 7640 000, Fax. +353 1 7640 200

Israel: RAPAC Electronics, 7 Kehilat Saloniki St, PO Box 18053,
TEL AVIV 61180, Tel. +972 3 645 0444, Fax. +972 3 649 1007

Italy: PHILIPS SEMICONDUCTORS, Via Casati, 23 - 20052 MONZA (MI),
Tel. +39 039 203 6838, Fax +39 039 203 6800

Japan: Philips Bldg 13-37, Kohnan 2-chome, Minato-ku,
TOKYO 108-8507, Tel. +81 3 3740 5130, Fax. +81 3 3740 5057

Korea: Philips House, 260-199 Itaewon-dong, Yongsan-ku, SEOUL,
Tel. +82 2 709 1412, Fax. +82 2 709 1415

Malaysia: No. 76 Jalan Universiti, 46200 PETALING JAYA, SELANGOR,
Tel. +60 3 750 5214, Fax. +60 3 757 4880

Mexico: 5900 Gateway East, Suite 200, EL PASO, TEXAS 79905,
Tel. +9-5 800 234 7381, Fax +9-5 800 943 0087

Middle East: see Italy

Netherlands: Postbus 90050, 5600 PB EINDHOVEN, Bldg. VB,
Tel. +31 40 27 82785, Fax. +31 40 27 88399

New Zealand: 2 Wagener Place, C.P.O. Box 1041, AUCKLAND,
Tel. +64 9 849 4160, Fax. +64 9 849 7811

Norway: Box 1, Manglerud 0612, OSLO,
Tel. +47 22 74 8000, Fax. +47 22 74 8341

Pakistan: see Singapore

Philippines: Philips Semiconductors Philippines Inc.,
106 Valero St. Salcedo Village, P.O. Box 2108 MCC, MAKATI,
Metro MANILA, Tel. +63 2 816 6380, Fax. +63 2 817 3474

Poland: Al.Jerozolimskie 195 B, 02-222 WARSAW,
Tel. +48 22 5710 000, Fax. +48 22 5710 001

Portugal: see Spain

Romania: see Italy

Russia: Philips Russia, Ul. Usatcheva 35A, 119048 MOSCOW,
Tel. +7 095 755 6918, Fax. +7 095 755 6919

Singapore: Lorong 1, Toa Payoh, SINGAPORE 319762,
Tel. +65 350 2538, Fax. +65 251 6500

Slovakia: see Austria

Slovenia: see Italy

South Africa: S.A. PHILIPS Pty Ltd., 195-215 Main Road Martindale,
2092 JOHANNESBURG, P.O. Box 58088 Newville 2114,
Tel. +27 11 471 5401, Fax. +27 11 471 5398

South America: Al. Vicente Pinzon, 173, 6th floor,
04547-130 SÃO PAULO, SP, Brazil,
Tel. +55 11 821 2333, Fax. +55 11 821 2382

Spain: Balmes 22, 08007 BARCELONA,
Tel. +34 93 301 6312, Fax. +34 93 301 4107

Sweden: Kottbygatan 7, Akalla, S-16485 STOCKHOLM,
Tel. +46 8 5985 2000, Fax. +46 8 5985 2745

Switzerland: Allmendstrasse 140, CH-8027 ZÜRICH,
Tel. +41 1 488 2741 Fax. +41 1 488 3263

Taiwan: Philips Semiconductors, 6F, No. 96, Chien Kuo N. Rd., Sec. 1,
TAIPEI, Taiwan Tel. +886 2 2134 2886, Fax. +886 2 2134 2874

Thailand: PHILIPS ELECTRONICS (THAILAND) Ltd.,
209/2 Sanpavuth-Bangna Road Prakanong, BANGKOK 10260,
Tel. +66 2 745 4090, Fax. +66 2 398 0793

Turkey: Yukari Dudullu, Org. San. Blg., 2.Cad. Nr. 28 81260 Umraniye,
ISTANBUL, Tel. +90 216 522 1500, Fax. +90 216 522 1813

Ukraine: PHILIPS UKRAINE, 4 Patrice Lumumba str., Building B, Floor 7,
252042 KIEV, Tel. +380 44 264 2776, Fax. +380 44 268 0461

United Kingdom: Philips Semiconductors Ltd., 276 Bath Road, Hayes,
MIDDLESEX UB3 5BX, Tel. +44 208 730 5000, Fax. +44 208 754 8421

United States: 811 East Arques Avenue, SUNNYVALE, CA 94088-3409,
Tel. +1 800 234 7381, Fax. +1 800 943 0087

Uruguay: see South America

Vietnam: see Singapore

Yugoslavia: PHILIPS, Trg N. Pasica 5/v, 11000 BEOGRAD,
Tel. +381 11 3341 299, Fax.+381 11 3342 553

For all other countries apply to: Philips Semiconductors,
International Marketing & Sales Communications, Building BE-p, P.O. Box 218,
5600 MD EINDHOVEN, The Netherlands, Fax. +31 40 27 24825

Internet: <http://www.semiconductors.philips.com>

© Philips Electronics N.V. 2000

SCA 69

All rights are reserved. Reproduction in whole or in part is prohibited without the prior written consent of the copyright owner.

The information presented in this document does not form part of any quotation or contract, is believed to be accurate and reliable and may be changed without notice. No liability will be accepted by the publisher for any consequence of its use. Publication thereof does not convey nor imply any license under patent- or other industrial or intellectual property rights.

Printed in The Netherlands

545002/25/03/pp20

Date of release: 2000 Jan 20

Document order number: 9397 750 06676

Let's make things better.

Philips
Semiconductors



PHILIPS