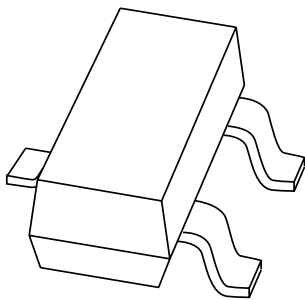


DATA SHEET



BB901

VHF variable capacitance diode

Product specification
Supersedes data of November 1993

1996 May 03

VHF variable capacitance diode

BB901

FEATURES

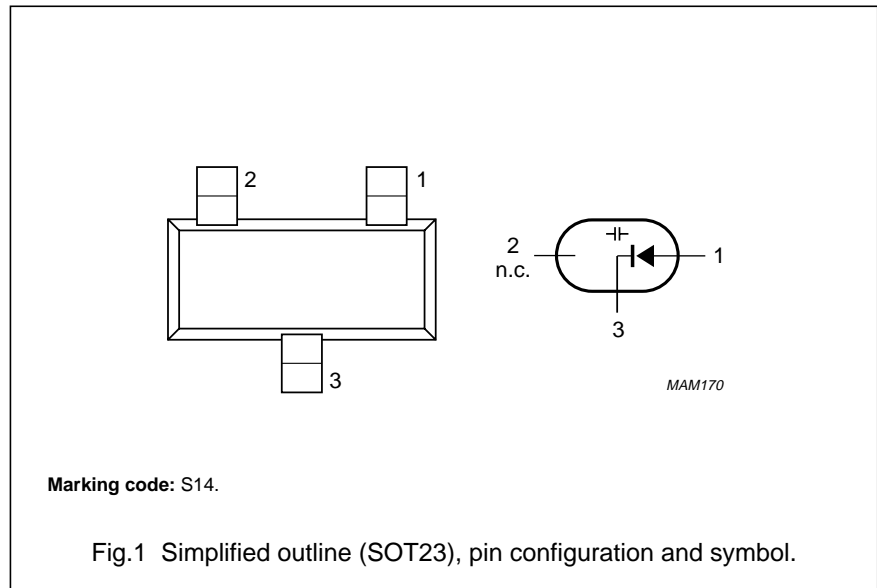
- Excellent linearity
- Small plastic SMD package
- C28: 1 pF; ratio: 13.5

APPLICATIONS

- Electronic tuning in satellite tuners
- Tunable coupling
- VCO.

DESCRIPTION

The BB901 is a variable capacitance diode, fabricated in planar technology, and encapsulated in the SOT23 small plastic SMD package.



LIMITING VALUES

In accordance with the Absolute Maximum Rating System (IEC 134).

| SYMBOL | PARAMETER | MIN. | MAX. | UNIT |
|-----------|--------------------------------|------|------|------|
| V_R | continuous reverse voltage | – | 28 | V |
| I_F | continuous forward current | – | 20 | mA |
| T_{stg} | storage temperature | –55 | +150 | °C |
| T_j | operating junction temperature | –55 | +125 | °C |

ELECTRICAL CHARACTERISTICS

$T_j = 25\text{ °C}$; unless otherwise specified.

| SYMBOL | PARAMETER | CONDITIONS | MIN. | TYP. | MAX. | UNIT |
|----------------------------------|-------------------------|---|------|------|-------|----------|
| I_R | reverse current | $V_R = 28\text{ V}$; see Fig.3 | – | – | 10 | nA |
| | | $V_R = 28\text{ V}$; $T_j = 85\text{ °C}$; see Fig.3 | – | – | 200 | nA |
| r_s | diode series resistance | $f = 100\text{ MHz}$; note 1 | – | – | 3 | Ω |
| C_d | diode capacitance | $V_R = 28\text{ V}$; $f = 1\text{ MHz}$; see Figs 2 and 4 | – | – | 1.055 | pF |
| $\frac{C_{d(0.5V)}}{C_{d(28V)}}$ | capacitance ratio | $f = 1\text{ MHz}$ | 12 | – | – | |

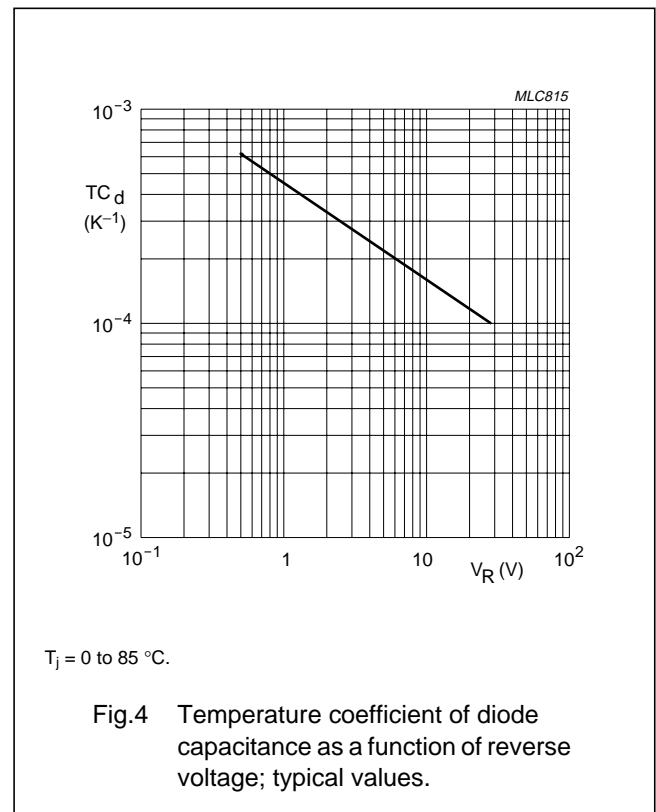
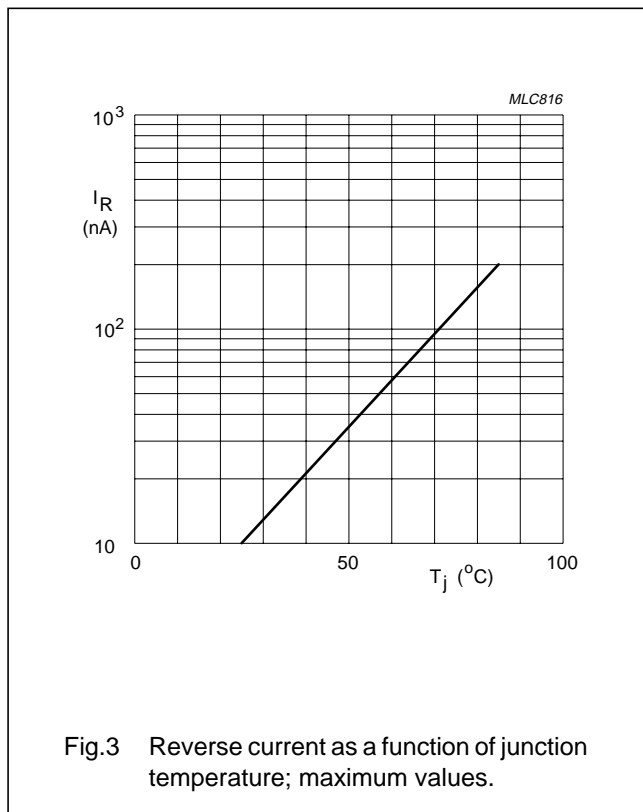
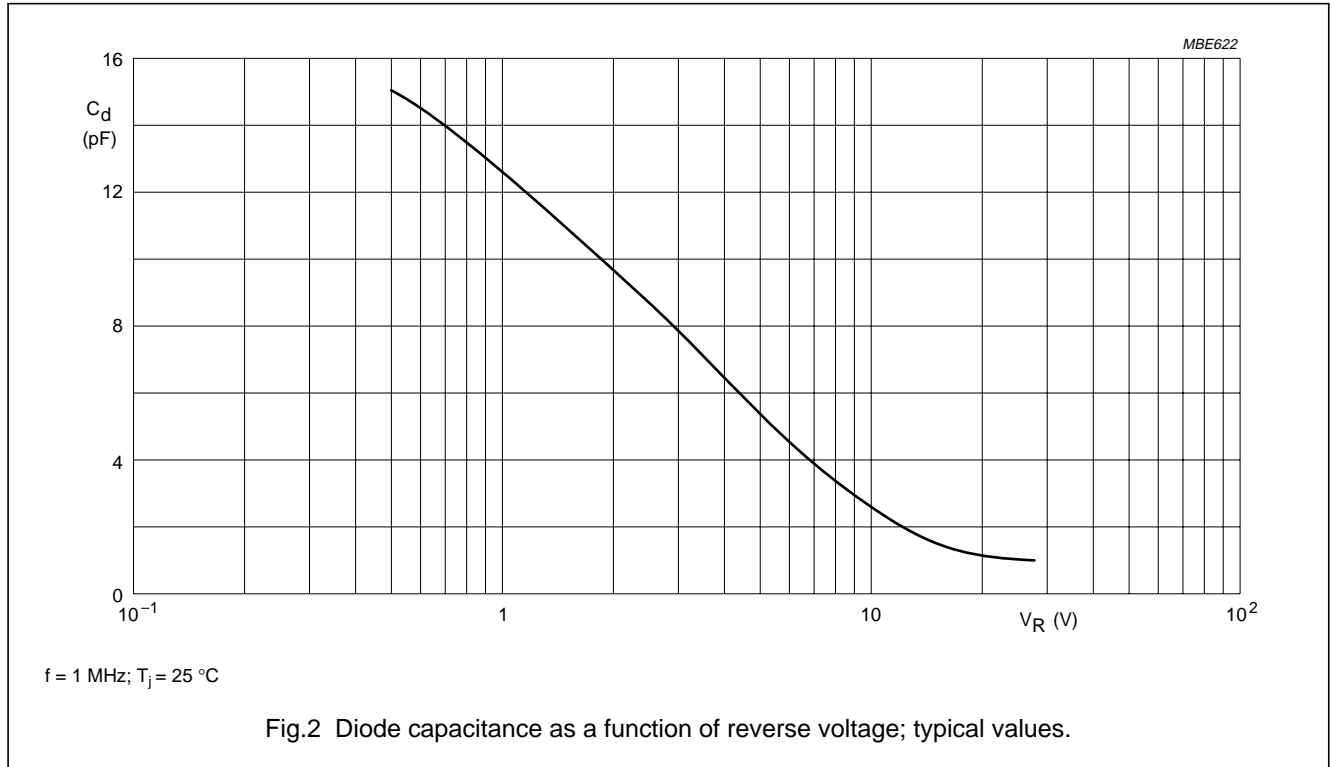
Note

1. V_R is the value at which $C_d = 10\text{ pF}$.

VHF variable capacitance diode

BB901

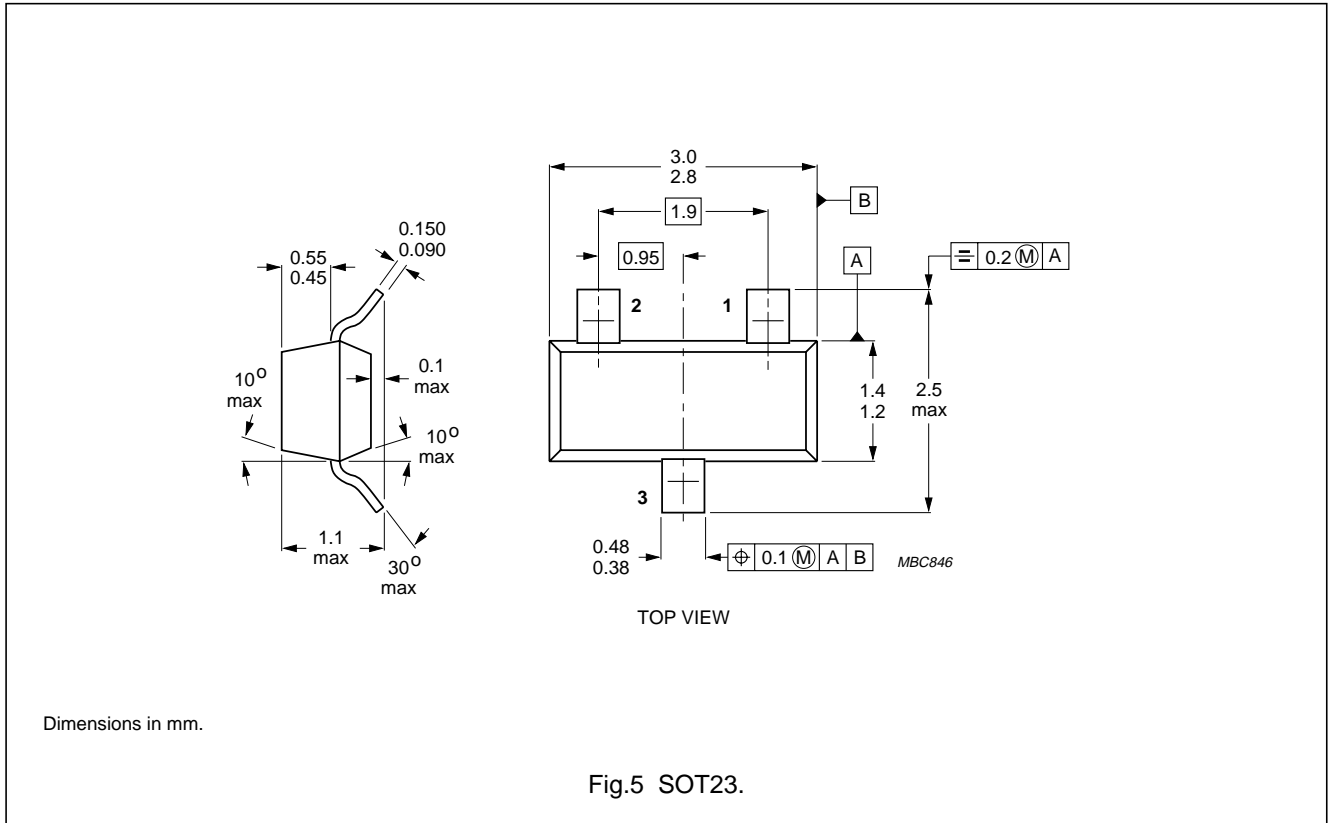
GRAPHICAL DATA



VHF variable capacitance diode

BB901

PACKAGE OUTLINE



DEFINITIONS

| | |
|---|---|
| Data sheet status | |
| Objective specification | This data sheet contains target or goal specifications for product development. |
| Preliminary specification | This data sheet contains preliminary data; supplementary data may be published later. |
| Product specification | This data sheet contains final product specifications. |
| Limiting values | |
| Limiting values given are in accordance with the Absolute Maximum Rating System (IEC 134). Stress above one or more of the limiting values may cause permanent damage to the device. These are stress ratings only and operation of the device at these or at any other conditions above those given in the Characteristics sections of the specification is not implied. Exposure to limiting values for extended periods may affect device reliability. | |
| Application information | |
| Where application information is given, it is advisory and does not form part of the specification. | |

LIFE SUPPORT APPLICATIONS

These products are not designed for use in life support appliances, devices, or systems where malfunction of these products can reasonably be expected to result in personal injury. Philips customers using or selling these products for use in such applications do so at their own risk and agree to fully indemnify Philips for any damages resulting from such improper use or sale.