

DATA SHEET

TDF8704

**8-bit high-speed analog-to-digital
converter**

Product specification
Supersedes data of April 1993
File under Integrated Circuits, IC02

June 1994

Philips Semiconductors



PHILIPS

8-bit high-speed analog-to-digital converter

TDF8704

FEATURES

- 8-bit resolution
- Sampling rate up to 50 MHz
- Extended temperature range (–40 to +85 °C)
- High signal-to-noise ratio over a large analog input frequency range (7.4 effective bits at 4.43 MHz full-scale input and at $f_{\text{clk}} = 50$ MHz)
- Binary 3-state TTL outputs
- Overflow/underflow 3-state TTL output
- TTL compatible digital inputs
- Low-level AC clock input signal allowed
- Stable internal reference voltage regulator included
- Power dissipation only 380 mW (typical)
- Low analog input capacitance, no buffer amplifier required
- No sample-and-hold circuit required.

APPLICATIONS

- General purpose high-speed analog-to-digital conversion for extended temperature applications
- Automotive
- RF, satellite and GPS (Global Positioning System)
- Medical
- General industrial
- Digital video (VCR, TV and satellite).

GENERAL DESCRIPTION

The TDF8704T is an 8-bit high-speed analog-to-digital converter (ADC) for general industrial applications. It converts the analog input signal into 8-bit binary-coded digital words at a maximum sampling rate of 50 MHz. All digital inputs and outputs are TTL compatible, although a low-level AC clock input signal is allowed.

QUICK REFERENCE DATA

SYMBOL	PARAMETER	CONDITIONS	MIN.	TYP.	MAX.	UNIT
V_{CCA}	analog supply voltage		4.75	5.0	5.25	V
V_{CCD}	digital supply voltage		4.75	5.0	5.25	V
V_{CCO}	output stages supply voltage		4.75	5.0	5.25	V
I_{CCA}	analog supply current		–	37	46	mA
I_{CCD}	digital supply current		–	23	35	mA
I_{CCO}	output stages supply current		–	16	21	mA
ILE	DC integral linearity error		–	±0.4	±1	LSB
DLE	DC differential linearity error		–	±0.2	±0.5	LSB
AILE	AC integral linearity error	note 1	–	–	±2	LSB
$f_{\text{clk(max)}}$	maximum clock frequency		50	–	–	MHz
P_{tot}	total power dissipation		–	380	535	mW

Note

1. Full-scale sine wave ($f_i = 4.43$ MHz; $f_{\text{clk}} = 50$ MHz).

ORDERING INFORMATION

TYPE NUMBER	PACKAGE				SAMPLING FREQUENCY
	PINS	PIN POSITION	MATERIAL	CODE	
TDF8704T/2	24	SO24L	plastic	SOT137-1	20 MHz
TDF8704T/4	24	SO24L	plastic	SOT137-1	40 MHz
TDF8704T/5	24	SO24L	plastic	SOT137-1	50 MHz

8-bit high-speed analog-to-digital converter

TDF8704

BLOCK DIAGRAM

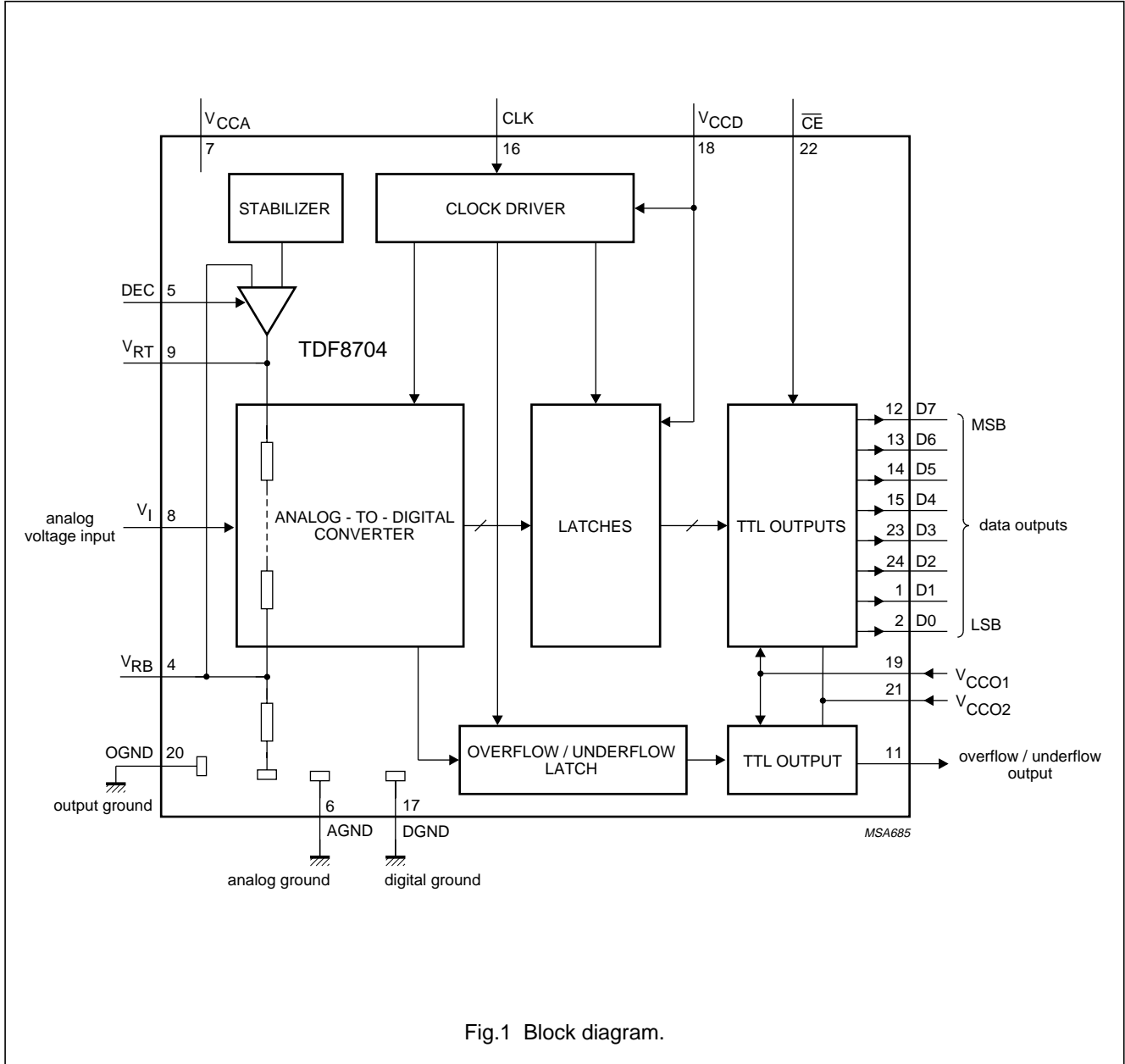


Fig.1 Block diagram.

8-bit high-speed analog-to-digital converter

TDF8704

PINNING

SYMBOL	PIN	DESCRIPTION
D1	1	data output; bit 1
D0	2	data output; bit 0 (LSB)
n.c.	3	not connected
V _{RB}	4	reference voltage BOTTOM (decoupling)
DEC	5	decoupling input (internal stabilization loop decoupling)
AGND	6	analog ground
V _{CCA}	7	analog supply voltage (+5 V)
V _I	8	analog input voltage
V _{RT}	9	reference voltage TOP (decoupling)
n.c.	10	not connected
O/UF	11	overflow/underflow data output
D7	12	data output; bit 7 (MSB)
D6	13	data output; bit 6
D5	14	data output; bit 5
D4	15	data output; bit 4
CLK	16	clock input
DGND	17	digital ground
V _{CCD}	18	digital supply voltage (+5 V)
V _{CCO1}	19	supply voltage for output stages 1 (+5 V)
OGND	20	output ground
V _{CCO2}	21	supply voltage for output stages 2 (+5 V)
\overline{CE}	22	chip enable input (TTL level input, active LOW)
D3	23	data output; bit 3
D2	24	data output; bit 2

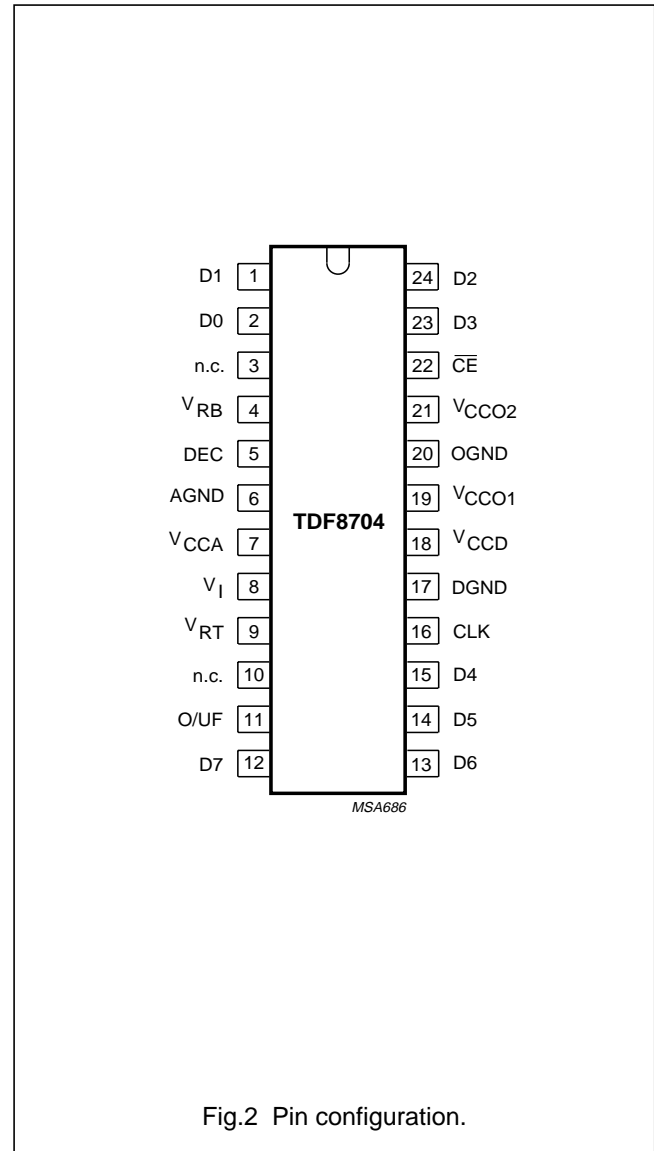


Fig.2 Pin configuration.

8-bit high-speed analog-to-digital converter

TDF8704

LIMITING VALUES

In accordance with the Absolute Maximum Rating System (IEC134).

SYMBOL	PARAMETER	CONDITIONS	MIN.	MAX.	UNIT
V_{CCA}	analog supply voltage		-0.3	+7.0	V
V_{CCD}	digital supply voltage		-0.3	+7.0	V
V_{CCO}	output stages supply voltage		-0.3	+7.0	V
ΔV_{CC}	supply voltage differences between V_{CCA} and V_{CCD}		-1.0	+1.0	V
ΔV_{CC}	supply voltage differences between V_{CCO} and V_{CCD}		-1.0	+1.0	V
ΔV_{CC}	supply voltage differences between V_{CCA} and V_{CCO}		-1.0	+1.0	V
V_I	input voltage	referenced to AGND	-0.3	+7.0	V
$V_{clk(p-p)}$	AC input voltage for switching (peak-to-peak value)	referenced to DGND	-	V_{CCD}	V
I_o	output current		-	10	mA
T_{stg}	storage temperature		-55	+150	°C
T_{amb}	operating ambient temperature		-40	+85	°C
T_j	junction temperature		-	+150	°C

HANDLING

Inputs and outputs are protected against electrostatic discharges in normal handling. However, to be totally safe, it is desirable to take normal precautions appropriate to handling integrated circuits.

THERMAL CHARACTERISTICS

SYMBOL	PARAMETER	VALUE	UNIT
$R_{th\ j-a}$	thermal resistance from junction to ambient in free air	75	K/W

8-bit high-speed analog-to-digital converter

TDF8704

CHARACTERISTICS (see Tables 1 and 2)

$V_{CCA} = V_7$ to $V_6 = 4.75$ to 5.25 V; $V_{CCD} = V_{18}$ to $V_{17} = 4.75$ to 5.25 V; $V_{CCO} = V_{19}$ and V_{21} to $V_{20} = 4.75$ to 5.25 V; AGND and DGND shorted together; V_{CCA} to $V_{CCD} = -0.25$ to $+0.25$ V; V_{CCO} to $V_{CCD} = -0.25$ to $+0.25$ V;

V_{CCA} to $V_{CCD} = -0.25$ to $+0.25$ V; $T_{amb} = -40$ to $+85$ °C; typical readings taken at $V_{CCA} = V_{CCD} = 5$ V and $T_{amb} = 25$ °C; unless otherwise specified.

SYMBOL	PARAMETER	CONDITIONS	MIN.	TYP.	MAX.	UNIT
Supply						
V_{CCA}	analog supply voltage		4.75	5.0	5.25	V
V_{CCD}	digital supply voltage		4.75	5.0	5.25	V
V_{CCO}	output stages supply voltage		4.75	5.0	5.25	V
I_{CCA}	analog supply current		–	37	46	mA
I_{CCD}	digital supply current		–	23	35	mA
I_{CCO}	output stages supply current	all outputs LOW	–	16	21	mA
Inputs						
CLOCK INPUT CLK (REFERENCED TO DGND)						
V_{IL}	LOW level input voltage		0	–	0.8	V
V_{IH}	HIGH level input voltage		2.0	–	V_{CCD}	V
I_{IL}	LOW level input current	$V_{clk} = 0.4$ V	–400	–	–	μA
I_{IH}	HIGH level input current	$V_{clk} = 2.7$ V	–	–	100	μA
		$V_{clk} = V_{CCD}$	–	–	300	μA
Z_I	input impedance	$f_{clk} = 50$ MHz	–	2	–	kΩ
C_I	input capacitance	$f_{clk} = 50$ MHz	–	4.5	–	pF
V_I (ANALOG INPUT VOLTAGE REFERENCED TO AGND; SEE FIGS 3 AND 4 AND TABLE 1)						
$V_{I(B)}$	input voltage (BOTTOM)		1.21	1.25	1.29	V
$V_{I(0)}$	input voltage	output code = 0	1.42	1.48	1.51	V
$V_{os(B)}$	offset voltage (BOTTOM)	$V_{I(0)}$ to $V_{I(B)}$	210	225	240	V
$V_{I(T)}$	input voltage (TOP)		3.37	3.46	3.58	V
$V_{I(255)}$	input voltage	output code = 255	3.14	3.22	3.30	V
$V_{os(T)}$	offset voltage (TOP)	$V_{I(T)}$ to $V_{I(255)}$	225	240	255	V
$V_{I(p-p)}$	input voltage amplitude (peak-to-peak value)		1.69	1.74	1.79	V
I_L	load current on V_{RT} and V_{RB}		–300	–	+300	μA
I_{IL}	LOW level input current	$V_I = 1.25$ V	–	0	–	μA
I_{IH}	HIGH level input current	$V_I = 3.46$ V	40	150	400	μA
Z_I	input impedance	$f_i = 4.43$ MHz	–	10	–	kΩ
C_I	input capacitance	$f_i = 4.43$ MHz	–	14	–	pF

8-bit high-speed analog-to-digital converter

TDF8704

SYMBOL	PARAMETER	CONDITIONS	MIN.	TYP.	MAX.	UNIT
INPUT \overline{CE} (REFERENCED TO DGND) SEE TABLE 2						
V_{IL}	LOW level input voltage		0	–	0.8	V
V_{IH}	HIGH level input voltage		2.0	–	V_{CCD}	V
I_{IL}	LOW level input current	$V_{IL} = 0.4$ V	–400	–	–	μ A
I_{IH}	HIGH level input current	$V_{IH} = 2.7$ V	–	–	20	μ A
Reference resistance						
R_{ref}	reference resistance	V_{RT} to V_{RB}	–	200	–	Ω
Outputs						
DIGITAL OUTPUTS D7 TO D0 (REFERENCED TO DGND)						
V_{OL}	LOW level output voltage	$I_O = 1$ mA; $T_{amb} = 0$ to $+85$ °C	0	–	0.4	V
		$I_O = 1$ mA; $T_{amb} = 0$ to -40 °C	–	–	0.6	V
V_{OH}	HIGH level output voltage	$I_O = -0.4$ mA	2.7	–	V_{CCD}	V
I_{OZ}	output current in 3-state mode	0.4 V < V_O < V_{CCD}	–20	–	+20	μ A
Switching characteristics						
CLOCK INPUT CLK (NOTE 1; SEE FIG.15)						
$f_{clk(max)}$	maximum clock frequency					
	TDF8704T/2		20	–	–	MHz
	TDF8704T/4		40	–	–	MHz
	TDF8704T/5		50	–	–	MHz
t_{CPH}	clock pulse width HIGH		7	–	–	ns
t_{CPL}	clock pulse width LOW		7	–	–	ns
Analog signal processing						
LINEARITY						
ILE	DC integral linearity error		–	± 0.4	± 1.0	LSB
DLE	DC differential linearity error		–	± 0.2	± 0.5	LSB
AILE	AC integral linearity error	note 2	–	–	± 2.0	LSB
BANDWIDTH ($f_{clk} = 40$ MHz)						
B	–0.5 dB analog bandwidth (note 3)	full-scale sine wave	–	12	–	MHz
		75% full-scale sine wave	–	16	–	MHz
t_{STLH}	analog input settling time LOW-to-HIGH	full-scale square wave; Fig.8; note 4	–	2.5	3.5	ns
t_{STHL}	analog input settling time HIGH-to-LOW	full-scale square wave; Fig.8; note 4	–	3.0	4.0	ns

8-bit high-speed analog-to-digital converter

TDF8704

SYMBOL	PARAMETER	CONDITIONS	MIN.	TYP.	MAX.	UNIT	
HARMONICS ($f_{\text{clk}} = 40 \text{ MHz}$)							
h_1	fundamental harmonics (full scale)	$f_i = 4.43 \text{ MHz}$	–	–	0	dB	
h_{all}	harmonics (full scale); all components	$f_i = 4.43 \text{ MHz}$					
	second harmonics		–	–64	–60	dB	
	third harmonics		–	–58	–55	dB	
THD	total harmonic distortion	$f_i = 4.43 \text{ MHz}$	–	–56	–	dB	
SIGNAL-TO-NOISE RATIO							
S/N	signal-to-noise ratio	without harmonics; $f_{\text{clk}} = 40 \text{ MHz}$; $f_i = 4.43 \text{ MHz}$	46	48	–	dB	
EFFECTIVE BITS; NOTE 5; SEE FIGS 9, 10 AND 11							
EB	effective bits TDF8704T/2	$f_{\text{clk}} = 20 \text{ MHz}$					
		$f_i = 1.25 \text{ MHz}$	–	7.8	–	bits	
		$f_i = 4.43 \text{ MHz}$	–	7.6	–	bits	
	effective bits TDF8704T/4	$f_{\text{clk}} = 40 \text{ MHz}$					
		$f_i = 4.43 \text{ MHz}$	–	7.5	–	bits	
		$f_i = 7.5 \text{ MHz}$	–	7.3	–	bits	
		$f_i = 10 \text{ MHz}$	–	7.0	–	bits	
	effective bits TDF8704T/5	$f_{\text{clk}} = 50 \text{ MHz}$					
		$f_i = 4.43 \text{ MHz}$	–	7.4	–	bits	
$f_i = 7.5 \text{ MHz}$		–	7.2	–	bits		
	$f_i = 10 \text{ MHz}$	–	6.9	–	bits		
TWO-TONE (NOTE 6)							
TTIR	two-tone intermodulation rejection	$f_{\text{clk}} = 40 \text{ MHz}$	–	–56	–	dB	
BIT ERROR RATE							
BER	bit error rate	$f_{\text{clk}} = 40 \text{ MHz}$; $f_i = 4.43 \text{ MHz}$; $V_1 = \pm 16 \text{ LSB at code 128}$	–	10^{-11}	–	times/ samples	
DIFFERENTIAL GAIN (NOTE 7)							
G_{diff}	differential gain	$f_{\text{clk}} = 20 \text{ MHz}$; $f_i = 4.43 \text{ MHz}$	–	0.6	–	%	
DIFFERENTIAL PHASE (NOTE 7)							
Φ_{diff}	differential phase	$f_{\text{clk}} = 40 \text{ MHz}$; $f_i = 4.43 \text{ MHz}$	–	0.8	–	deg	

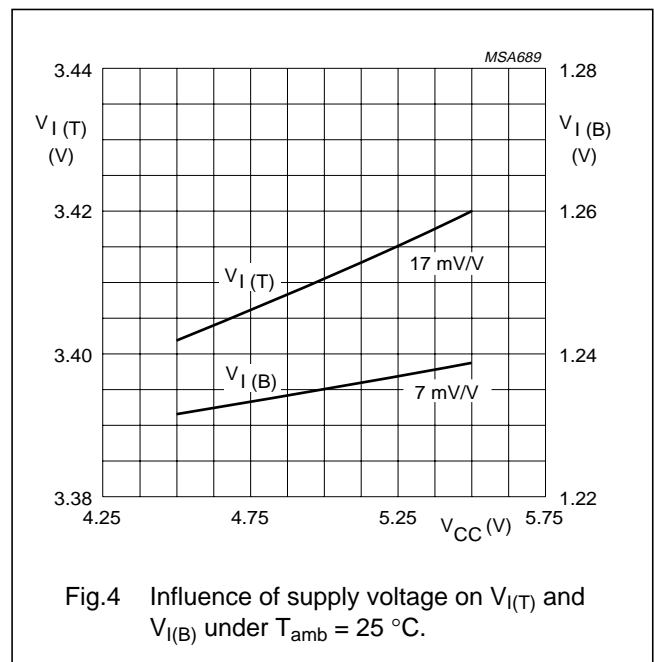
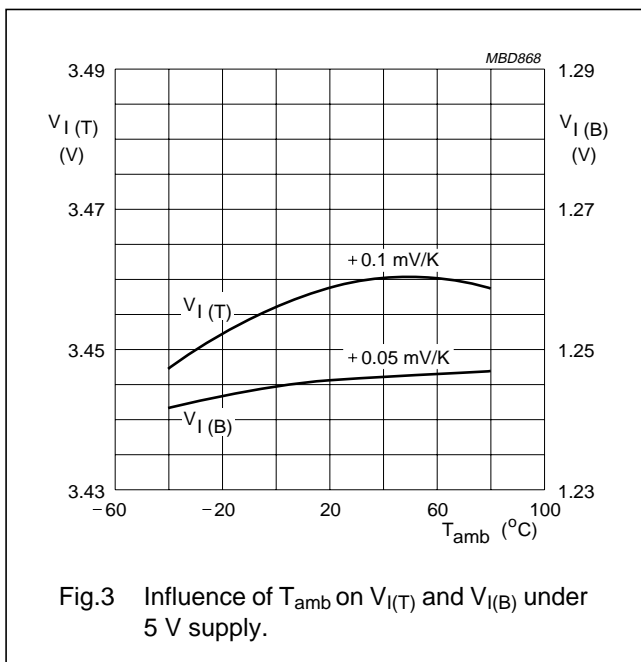
8-bit high-speed analog-to-digital converter

TDF8704

SYMBOL	PARAMETER	CONDITIONS	MIN.	TYP.	MAX.	UNIT
Timing (note 8; see Figs 5 and 7; $f_{clk} = 50$ MHz)						
t_{ds}	sampling delay time		–	–	2	ns
t_h	output hold time		5	–	–	ns
t_d	output delay time		–	12	15	ns
3-state output delay times (see Figs 6 and 7)						
t_{dZH}	enable HIGH		–	6	10	ns
t_{dZL}	enable LOW		–	12	16	ns
t_{dHZ}	disable HIGH		–	50	54	ns
t_{dLZ}	disable LOW		–	10	14	ns

Notes

1. In addition to a good layout of the digital and analog ground, it is recommended that the rise and fall times of the clock must be less than 1 ns.
2. Full-scale sine wave ($f_i = 4.43$ MHz; $f_{clk} = 50$ MHz).
3. Determined by beat frequency method on a reconstructed sine wave signal for no missing codes and no glitches.
4. The analog input settling time is the minimum time required for the input signal to be stabilized after a sharp full-scale input (square-wave signal) in order to sample the signal and obtain correct output data.
5. Effective bits are obtained via a Fast Fourier Transform (FFT) treatment taking 4K acquisition points per period. The calculation takes into account all harmonics and noise up to half of the clock frequency (NYQUIST frequency). Conversion to signal-to-noise ratio: $S/N = EB \times 6.02 + 1.76$ dB.
6. Intermodulation measured relative to either tone with analog input frequencies of 4.43 MHz and 4.53 MHz. The two input signals have the same amplitude and the total amplitude of both signals provides full scale to the converter.
7. Measurement taken using video analyser VM700A.
8. Output data acquisition: the output data is available after the maximum delay time of t_d .



8-bit high-speed analog-to-digital converter

TDF8704

Table 1 Output coding and input voltage (typical values; referenced to AGND).

STEP	$V_{I(p-p)}$	O/UF	BINARY OUTPUT BITS							
			D7	D6	D5	D4	D3	D2	D1	D0
Underflow	<1.48	1	1	0	0	0	0	0	0	0
0	1.48	0	0	0	0	0	0	0	0	0
1	-	0	0	0	0	0	0	0	0	1
.
.
254	.	0	1	1	1	1	1	1	1	0
255	3.46	0	1	1	1	1	1	1	1	1
Overflow	>3.46	1	1	1	1	1	1	1	1	1

Table 2 Mode selection.

\overline{CE}	D7 TO D0	O/UF
1	high impedance	high impedance
0	active; binary	active

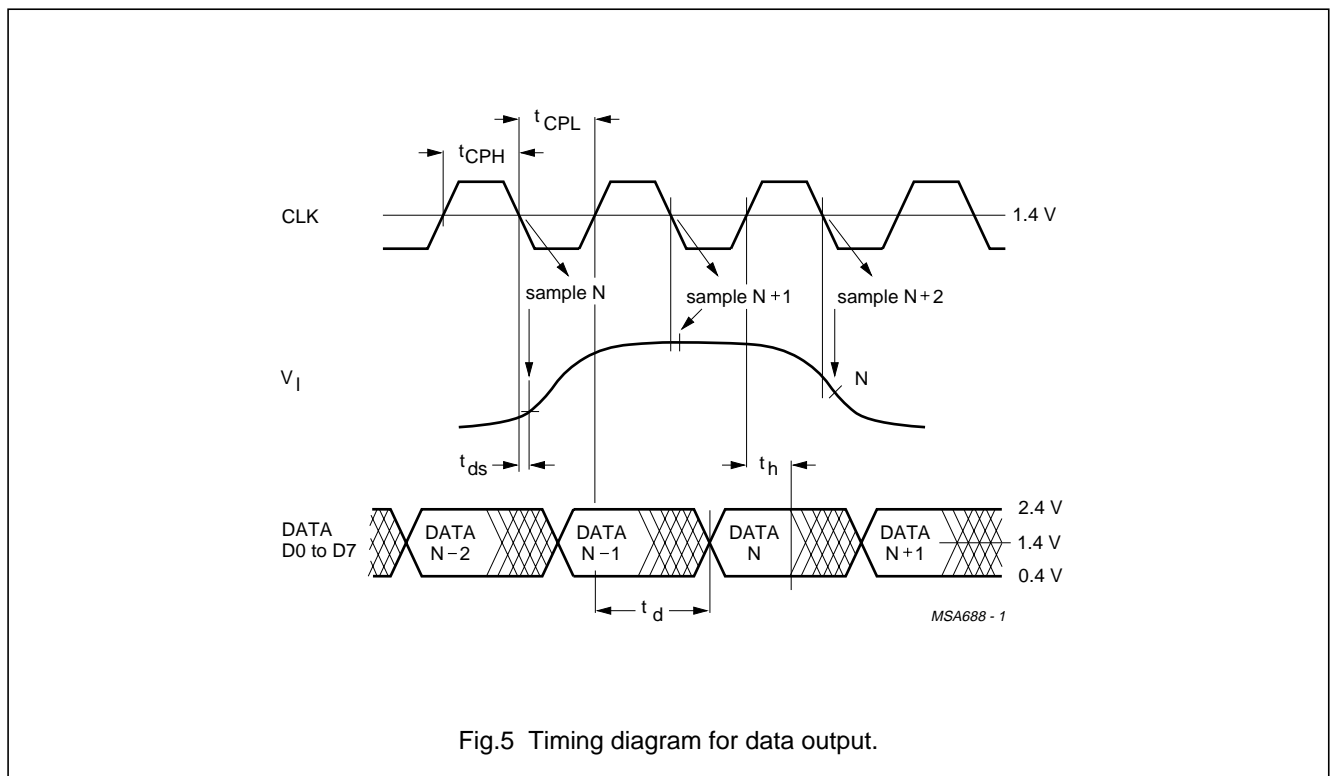


Fig.5 Timing diagram for data output.

8-bit high-speed analog-to-digital converter

TDF8704

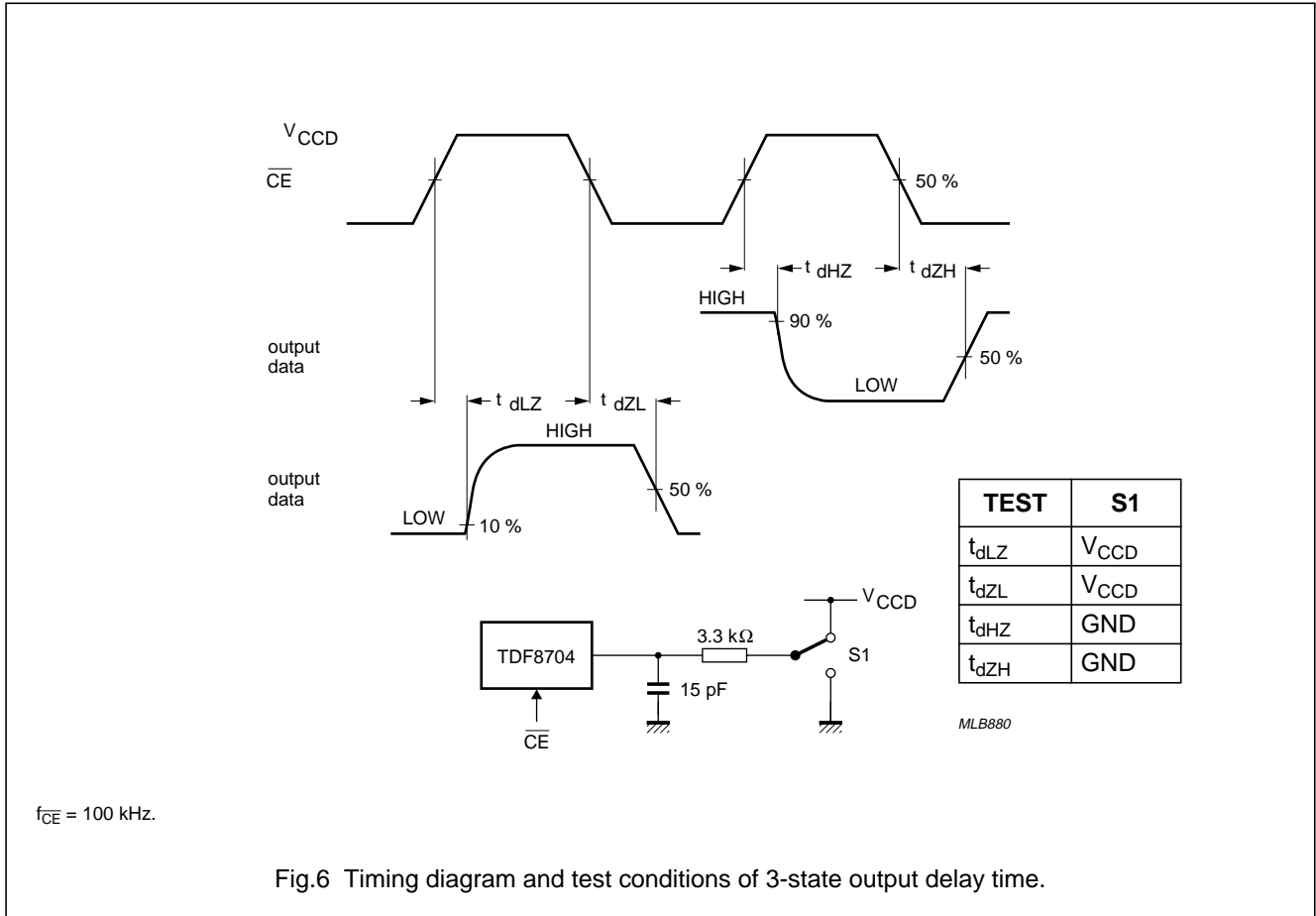


Fig.6 Timing diagram and test conditions of 3-state output delay time.

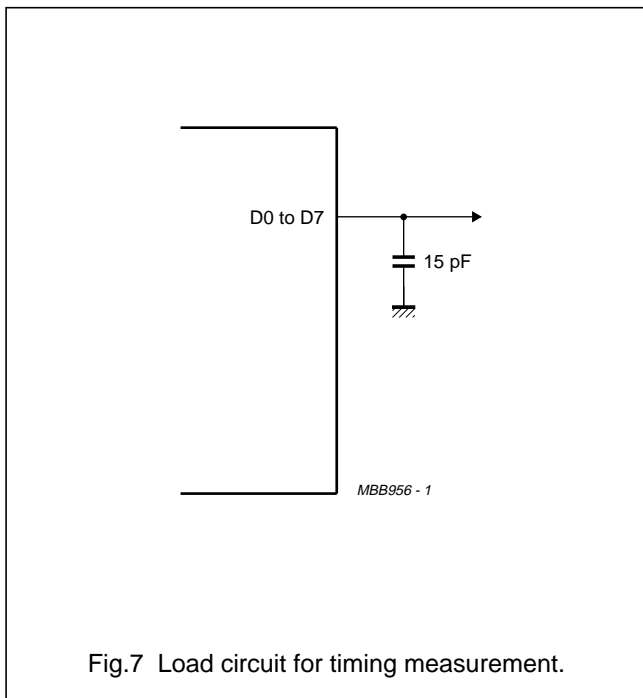


Fig.7 Load circuit for timing measurement.

8-bit high-speed analog-to-digital converter

TDF8704

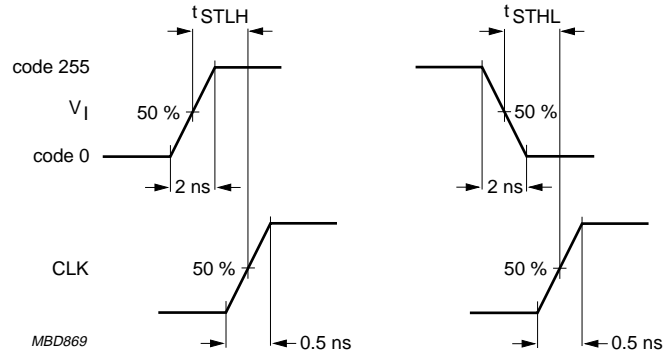
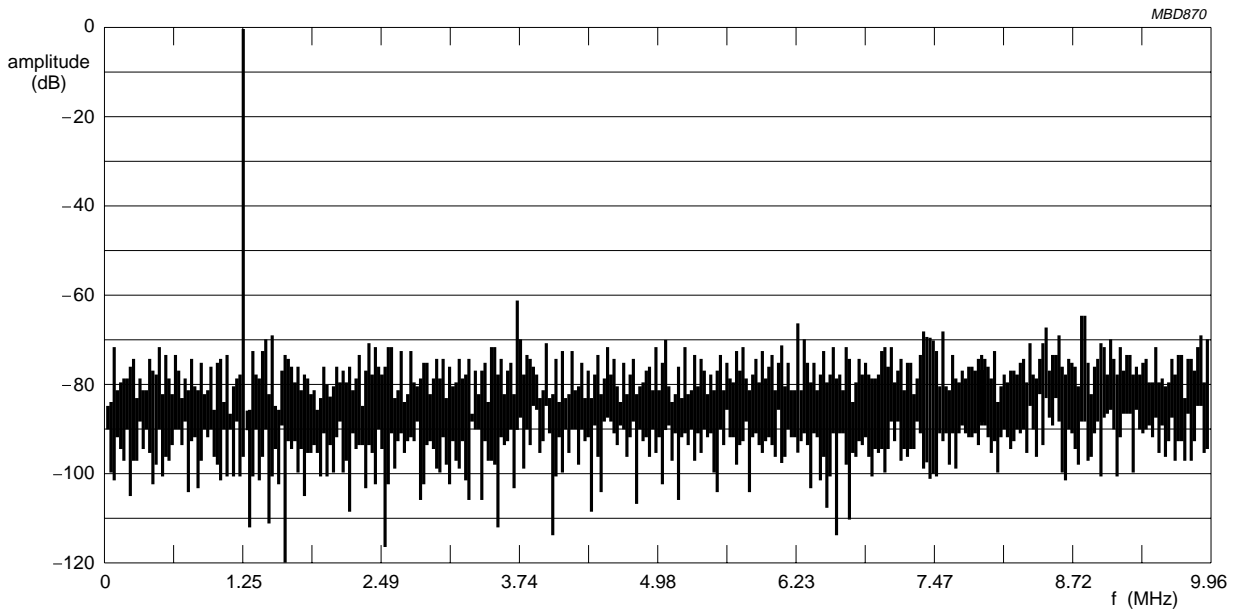


Fig.8 Analog input settling-time diagram.

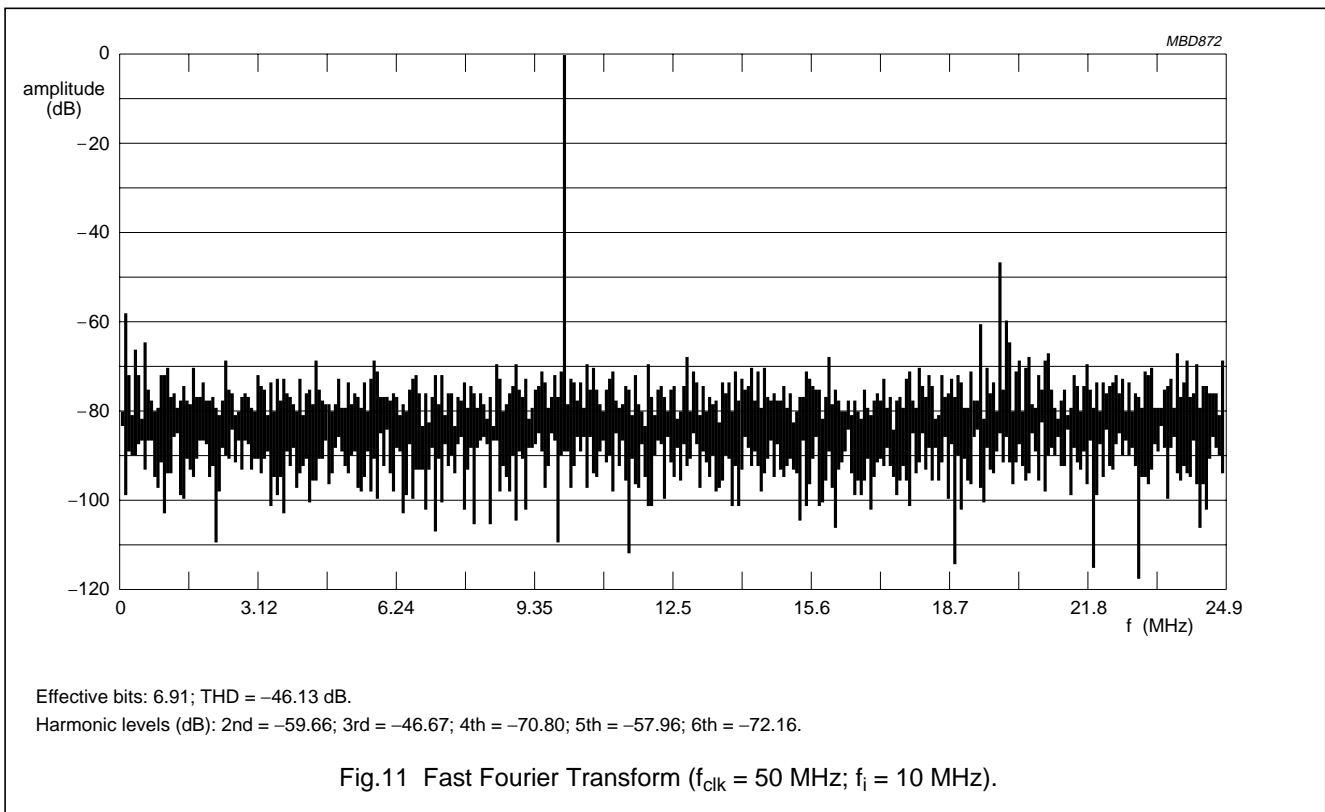
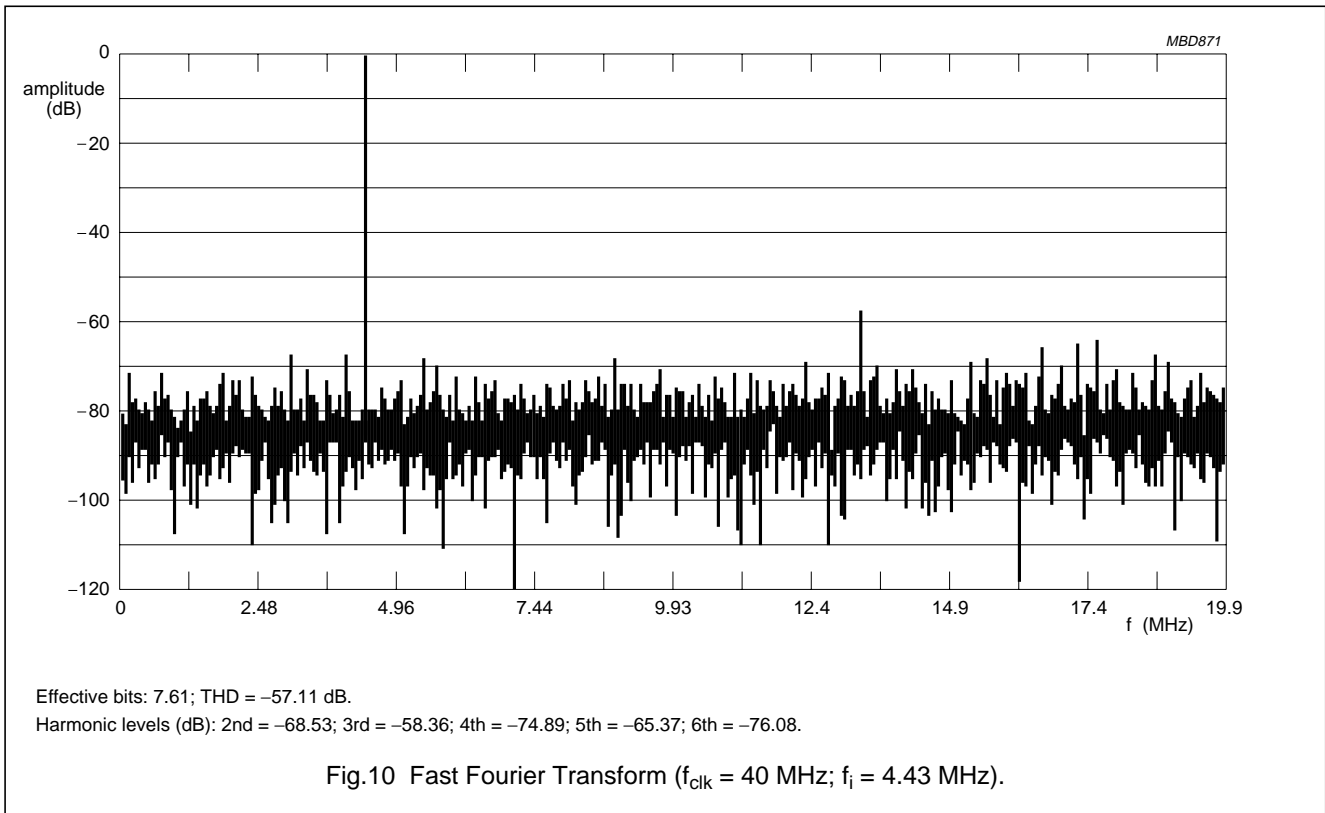


Effective bits: 7.89; THD = -61.05 dB.
Harmonic levels (dB): 2nd = -84.07; 3rd = -62.50; 4th = -92.01; 5th = -66.56; 6th = -101.15.

Fig.9 Fast Fourier Transform ($f_{clk} = 20$ MHz; $f_i = 1.25$ MHz).

8-bit high-speed analog-to-digital converter

TDF8704



8-bit high-speed analog-to-digital converter

TDF8704

INTERNAL PIN CONFIGURATIONS

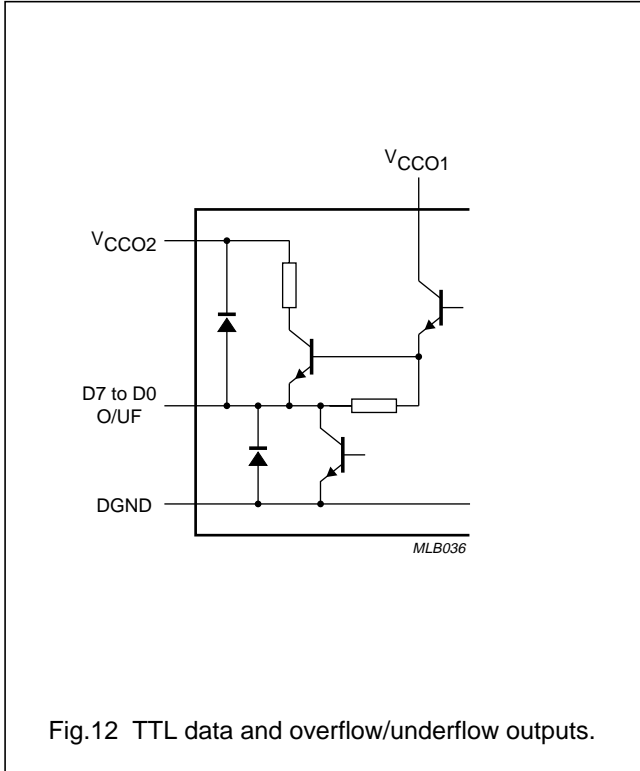


Fig.12 TTL data and overflow/underflow outputs.

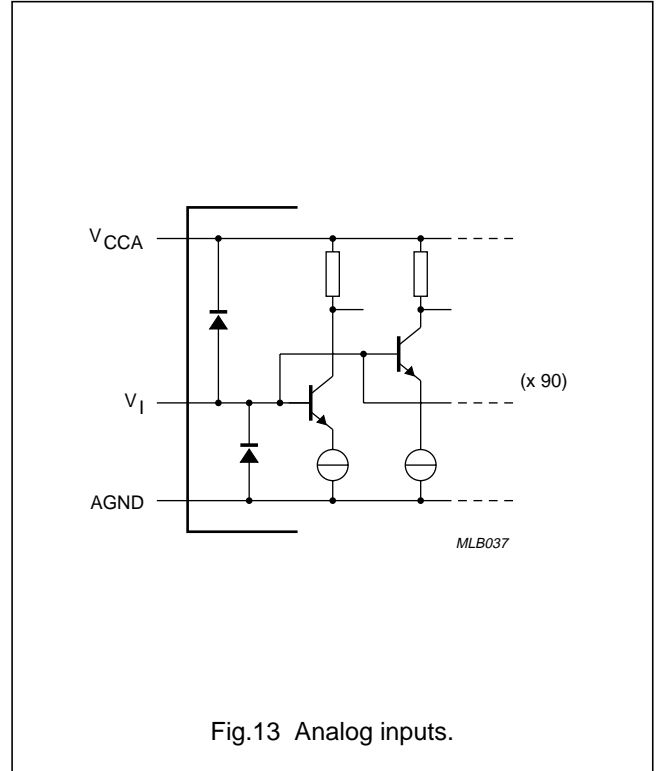


Fig.13 Analog inputs.

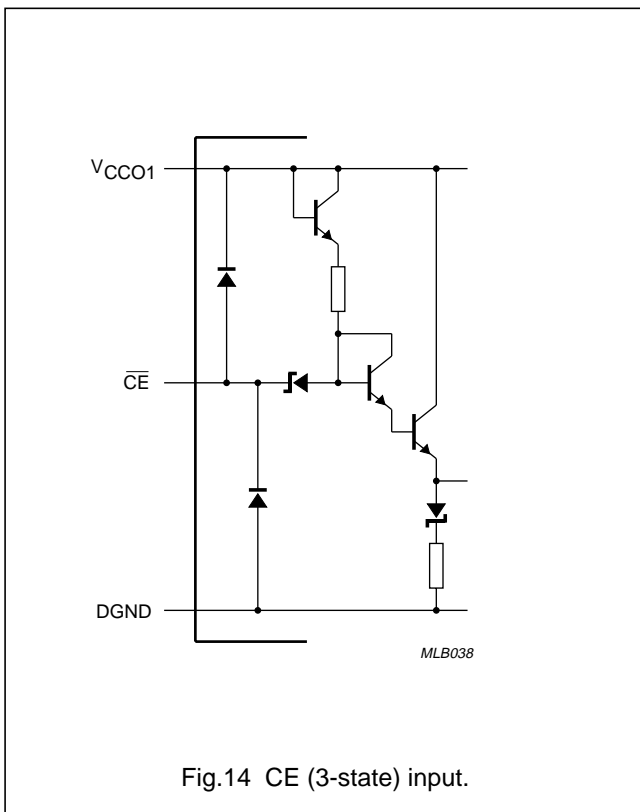
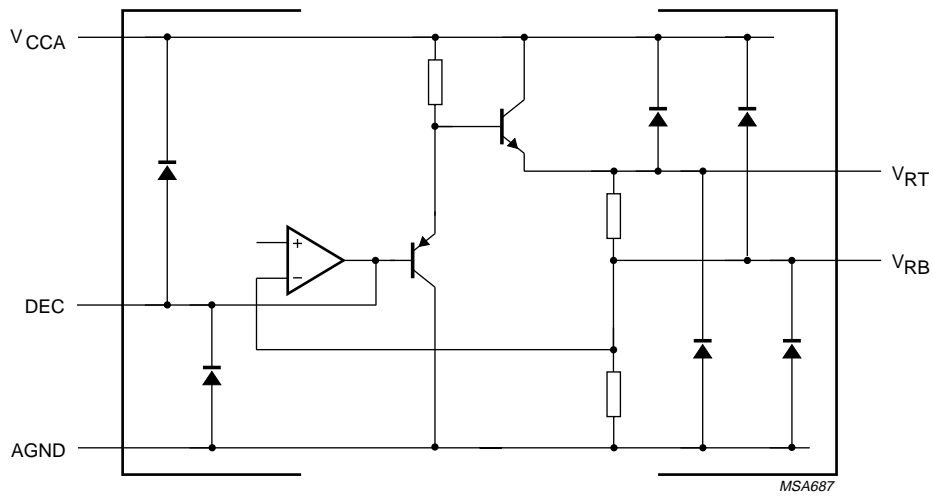


Fig.14 CE (3-state) input.

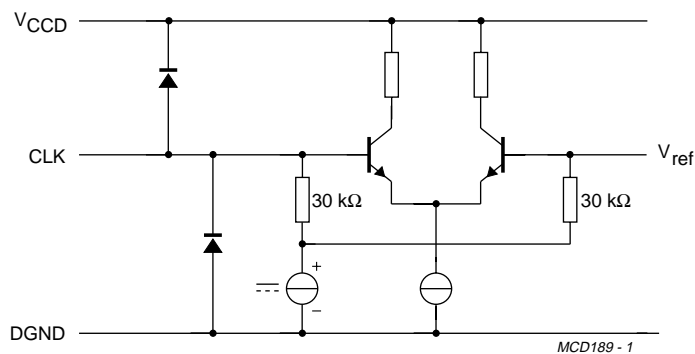
8-bit high-speed analog-to-digital converter

TDF8704



MSA687

Fig.15 V_{RB} , V_{RT} and DEC.



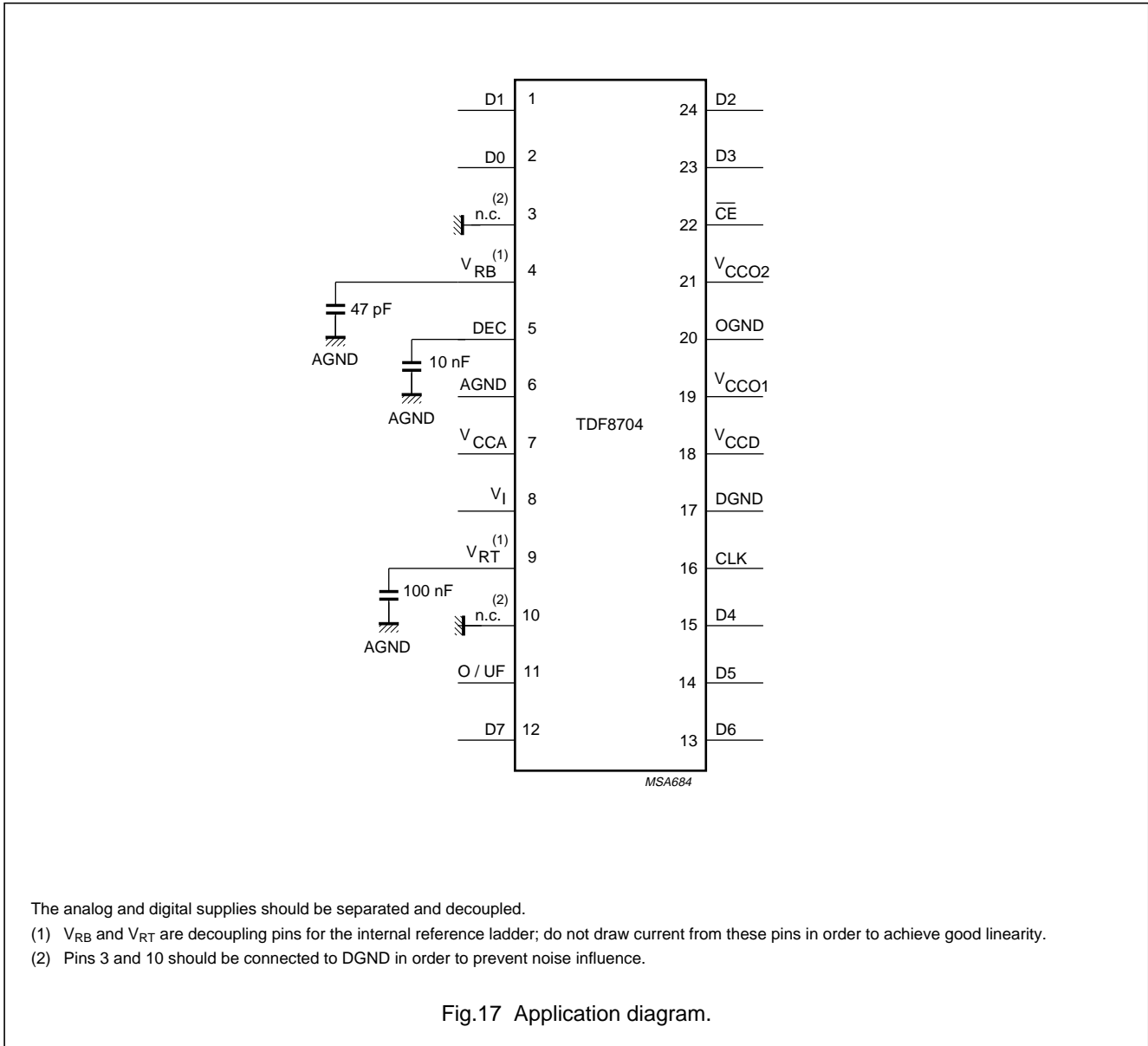
MCD189 - 1

Fig.16 CLK input.

8-bit high-speed analog-to-digital converter

TDF8704

APPLICATION INFORMATION



The analog and digital supplies should be separated and decoupled.

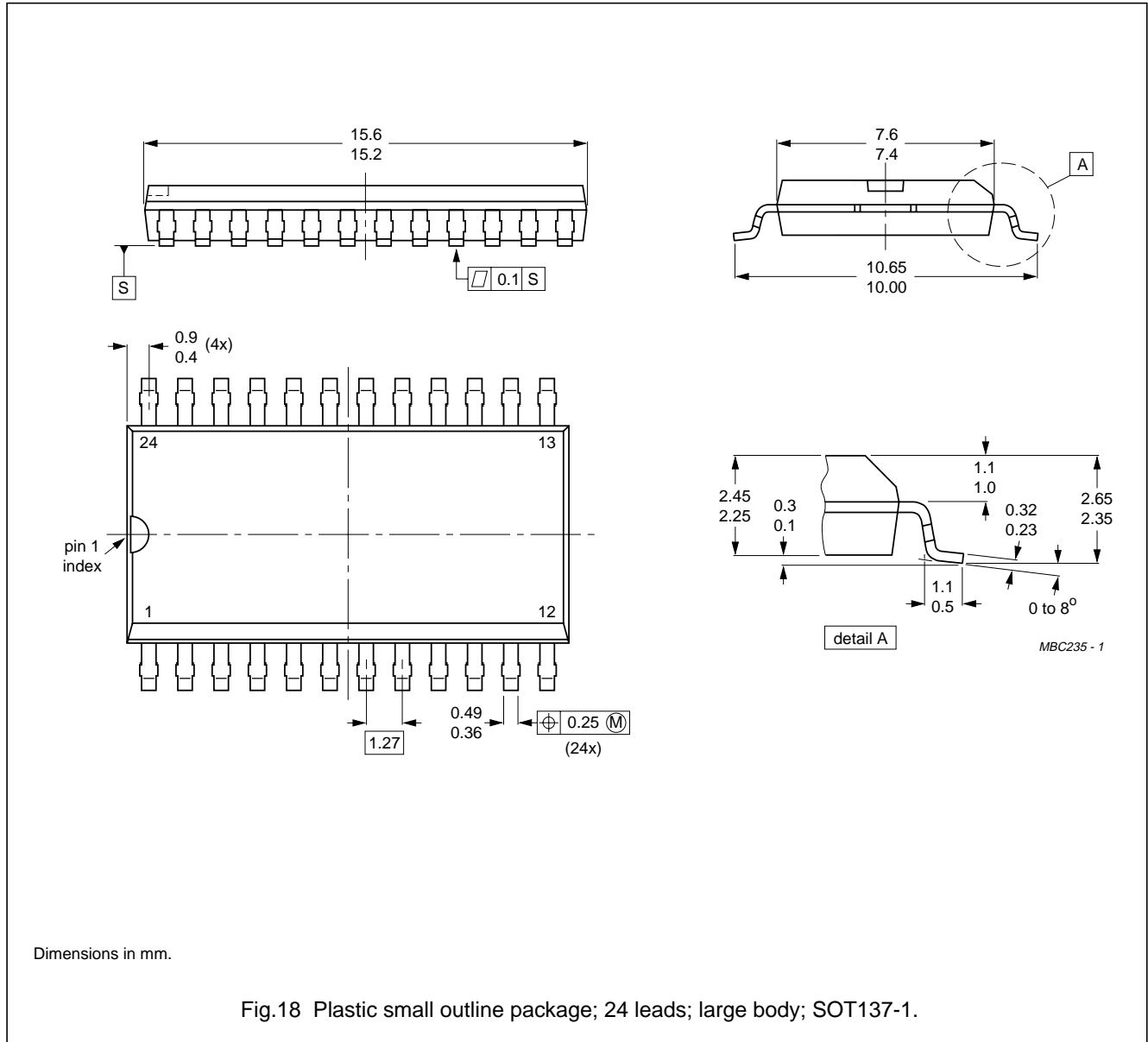
- (1) V_{RB} and V_{RT} are decoupling pins for the internal reference ladder; do not draw current from these pins in order to achieve good linearity.
- (2) Pins 3 and 10 should be connected to DGND in order to prevent noise influence.

Fig.17 Application diagram.

8-bit high-speed analog-to-digital converter

TDF8704

PACKAGE OUTLINE



8-bit high-speed analog-to-digital converter

TDF8704

SOLDERING

Plastic small-outline packages

BY WAVE

During placement and before soldering, the component must be fixed with a droplet of adhesive. After curing the adhesive, the component can be soldered. The adhesive can be applied by screen printing, pin transfer or syringe dispensing.

Maximum permissible solder temperature is 260 °C, and maximum duration of package immersion in solder bath is 10 s, if allowed to cool to less than 150 °C within 6 s. Typical dwell time is 4 s at 250 °C.

A modified wave soldering technique is recommended using two solder waves (dual-wave), in which a turbulent wave with high upward pressure is followed by a smooth laminar wave. Using a mildly-activated flux eliminates the need for removal of corrosive residues in most applications.

BY SOLDER PASTE REFLOW

Reflow soldering requires the solder paste (a suspension of fine solder particles, flux and binding agent) to be

applied to the substrate by screen printing, stencilling or pressure-syringe dispensing before device placement.

Several techniques exist for reflowing; for example, thermal conduction by heated belt, infrared, and vapour-phase reflow. Dwell times vary between 50 and 300 s according to method. Typical reflow temperatures range from 215 to 250 °C.

Preheating is necessary to dry the paste and evaporate the binding agent. Preheating duration: 45 min at 45 °C.

REPAIRING SOLDERED JOINTS (BY HAND-HELD SOLDERING IRON OR PULSE-HEATED SOLDER TOOL)

Fix the component by first soldering two, diagonally opposite, end pins. Apply the heating tool to the flat part of the pin only. Contact time must be limited to 10 s at up to 300 °C. When using proper tools, all other pins can be soldered in one operation within 2 to 5 s at between 270 and 320 °C. (Pulse-heated soldering is not recommended for SO packages.)

For pulse-heated solder tool (resistance) soldering of VSO packages, solder is applied to the substrate by dipping or by an extra thick tin/lead plating before package placement.

DEFINITIONS

Data sheet status	
Objective specification	This data sheet contains target or goal specifications for product development.
Preliminary specification	This data sheet contains preliminary data; supplementary data may be published later.
Product specification	This data sheet contains final product specifications.
Limiting values	
Limiting values given are in accordance with the Absolute Maximum Rating System (IEC 134). Stress above one or more of the limiting values may cause permanent damage to the device. These are stress ratings only and operation of the device at these or at any other conditions above those given in the Characteristics sections of the specification is not implied. Exposure to limiting values for extended periods may affect device reliability.	
Application information	
Where application information is given, it is advisory and does not form part of the specification.	

LIFE SUPPORT APPLICATIONS

These products are not designed for use in life support appliances, devices, or systems where malfunction of these products can reasonably be expected to result in personal injury. Philips customers using or selling these products for use in such applications do so at their own risk and agree to fully indemnify Philips for any damages resulting from such improper use or sale.

8-bit high-speed analog-to-digital converter

TDF8704

NOTES

Philips Semiconductors – a worldwide company

Argentina: IEROD, Av. Juramento 1992 - 14.b. (1428)
BUENOS AIRES, Tel. (541)786 7633, Fax. (541)786 9367

Australia: 34 Waterloo Road, NORTH RYDE, NSW 2113,
Tel. (02)805 4455, Fax. (02)805 4466

Austria: Triester Str. 64, A-1101 WIEN, P.O. Box 213,
Tel. (01)60 101-1236, Fax. (01)60 101-1211

Belgium: Postbus 90050, 5600 PB EINDHOVEN, The Netherlands,
Tel. (31)40 783 749, Fax. (31)40 788 399

Brazil: Rua do Rocio 220 - 5th floor, Suite 51,
CEP: 04552-903-SÃO PAULO-SP, Brazil.
P.O. Box 7383 (01064-970).

Tel. (011)821-2327, Fax. (011)829-1849

Canada: INTEGRATED CIRCUITS:
Tel. (800)234-7381, Fax. (708)296-8556
DISCRETE SEMICONDUCTORS: 601 Milner Ave,
SCARBOROUGH, ONTARIO, M1B 1M8,
Tel. (416)292 5161 ext. 2336, Fax. (416)292 4477

Chile: Av. Santa Maria 0760, SANTIAGO,
Tel. (02)773 816, Fax. (02)777 6730

Colombia: IPRELENZO LTDA, Carrera 21 No. 56-17,
77621 BOGOTA, Tel. (571)249 7624/(571)217 4609,
Fax. (571)217 4549

Denmark: Prags Boulevard 80, PB 1919, DK-2300 COPENHAGEN S,
Tel. (032)88 2636, Fax. (031)57 1949

Finland: Sinikalliontie 3, FIN-02630 ESPOO,
Tel. (9)0-50261, Fax. (9)0-520971

France: 4 Rue du Port-aux-Vins, BP317,
92156 SURESNES Cedex,
Tel. (01)4099 6161, Fax. (01)4099 6427

Germany: PHILIPS COMPONENTS UB der Philips G.m.b.H.,
P.O. Box 10 63 23, 20043 HAMBURG,
Tel. (040)3296-0, Fax. (040)3296 213.

Greece: No. 15, 25th March Street, GR 17778 TAVROS,
Tel. (01)4894 339/4894 911, Fax. (01)4814 240

Hong Kong: PHILIPS HONG KONG Ltd., Components Div.,
6/F Philips Ind. Bldg., 24-28 Kung Yip St., KWAI CHUNG, N.T.,
Tel. (852)424 5121, Fax. (852)428 6729

India: Philips INDIA Ltd, Components Dept,
Shivsagar Estate, A Block,
Dr. Annie Besant Rd. Worli, Bombay 400 018
Tel. (022)4938 541, Fax. (022)4938 722

Indonesia: Philips House, Jalan H.R. Rasuna Said Kav. 3-4,
P.O. Box 4252, JAKARTA 12950,
Tel. (021)5201 122, Fax. (021)5205 189

Ireland: Newstead, Clonskeagh, DUBLIN 14,
Tel. (01)640 000, Fax. (01)640 200

Italy: PHILIPS COMPONENTS S.r.l.,
Viale F. Testi, 327, 20162 MILANO,
Tel. (02)6752.3302, Fax. (02)6752 3300.

Japan: Philips Bldg 13-37, Kohnan2-chome, Minato-ku, TOKYO 108,
Tel. (03)3740 5028, Fax. (03)3740 0580

Korea: (Republic of) Philips House, 260-199 Itaewon-dong,
Yongsan-ku, SEOUL, Tel. (02)794-5011, Fax. (02)798-8022

Malaysia: No. 76 Jalan Universiti, 46200 PETALING JAYA,
SELANGOR, Tel. (03)750 5214, Fax. (03)757 4880

Mexico: Philips Components, 5900 Gateway East, Suite 200,
EL PASO, TX 79905, Tel. 9-5(800)234-7381, Fax. (708)296-8556

Netherlands: Postbus 90050, 5600 PB EINDHOVEN, Bldg. VB
Tel. (040)783749, Fax. (040)788399

New Zealand: 2 Wagener Place, C.P.O. Box 1041, AUCKLAND,
Tel. (09)849-4160, Fax. (09)849-7811

Norway: Box 1, Manglerud 0612, OSLO,
Tel. (022)74 8000, Fax. (022)74 8341

Pakistan: Philips Electrical Industries of Pakistan Ltd.,
Exchange Bldg. ST-2/A, Block 9, KDA Scheme 5, Clifton,
KARACHI 75600, Tel. (021)587 4641-49,
Fax. (021)577035/5874546.

Philippines: PHILIPS SEMICONDUCTORS PHILIPPINES Inc,
106 Valero St. Salcedo Village, P.O. Box 2108 MCC, MAKATI,
Metro MANILA, Tel. (02)810 0161, Fax. (02)817 3474

Portugal: PHILIPS PORTUGUESA, S.A.,
Rua dr. António Loureiro Borges 5, Arquiparque - Miraflores,
Apartado 300, 2795 LINDA-A-VELHA,
Tel. (01)14163160/4163333, Fax. (01)14163174/4163366.

Singapore: Lorong 1, Toa Payoh, SINGAPORE 1231,
Tel. (65)350 2000, Fax. (65)251 6500

South Africa: S.A. PHILIPS Pty Ltd., Components Division,
195-215 Main Road Martindale, 2092 JOHANNESBURG,
P.O. Box 7430 Johannesburg 2000,
Tel. (011)470-5911, Fax. (011)470-5494.

Spain: Balmes 22, 08007 BARCELONA,
Tel. (03)301 6312, Fax. (03)301 42 43

Sweden: Kottbygatan 7, Akalla. S-164 85 STOCKHOLM,
Tel. (0)8-632 2000, Fax. (0)8-632 2745

Switzerland: Allmendstrasse 140, CH-8027 ZÜRICH,
Tel. (01)488 2211, Fax. (01)481 77 30

Taiwan: PHILIPS TAIWAN Ltd., 23-30F, 66, Chung Hsiao West
Road, Sec. 1. Taipei, Taiwan ROC, P.O. Box 22978,
TAIPEI 100, Tel. (02)388 7666, Fax. (02)382 4382.

Thailand: PHILIPS ELECTRONICS (THAILAND) Ltd.,
209/2 Sanpavuth-Bangna Road Prakanong,
Bangkok 10260, THAILAND,
Tel. (662)398-0141, Fax. (662)398-3319.

Turkey: Talatpasa Cad. No. 5, 80640 GÜLTEPE/ISTANBUL,
Tel. (0212)279 2770, Fax. (0212)269 3094

United Kingdom: Philips Semiconductors Limited, P.O. Box 65,
Philips House, Torrington Place, LONDON, WC1E 7HD,
Tel. (071)436 41 44, Fax. (071)323 03 42

United States: INTEGRATED CIRCUITS:
811 East Arques Avenue, SUNNYVALE, CA 94088-3409,
Tel. (800)234-7381, Fax. (708)296-8556
DISCRETE SEMICONDUCTORS: 2001 West Blue Heron Blvd.,
P.O. Box 10330, RIVIERA BEACH, FLORIDA 33404,
Tel. (800)447-3762 and (407)881-3200, Fax. (407)881-3300

Uruguay: Coronel Mora 433, MONTEVIDEO,
Tel. (02)70-4044, Fax. (02)92 0601

For all other countries apply to: Philips Semiconductors,
International Marketing and Sales, Building BAF-1,
P.O. Box 218, 5600 MD, EINDHOVEN, The Netherlands,
Telex 35000 phtcnl, Fax. +31-40-724825

SCD31

© Philips Electronics N.V. 1994

All rights are reserved. Reproduction in whole or in part is prohibited without the prior written consent of the copyright owner.

The information presented in this document does not form part of any quotation or contract, is believed to be accurate and reliable and may be changed without notice. No liability will be accepted by the publisher for any consequence of its use. Publication thereof does not convey nor imply any license under patent- or other industrial or intellectual property rights.

Printed in The Netherlands

533061/1500/03/pp20

Document order number:

Date of release: June 1994

9397 734 10011

Philips Semiconductors



PHILIPS