

DATA SHEET

For a complete data sheet, please also download:

- The IC06 74HC/HCT/HCU/HCMOS Logic Family Specifications
- The IC06 74HC/HCT/HCU/HCMOS Logic Package Information
- The IC06 74HC/HCT/HCU/HCMOS Logic Package Outlines

74HC/HCT165

8-bit parallel-in/serial-out shift register

Product specification
File under Integrated Circuits, IC06

December 1990

8-bit parallel-in/serial-out shift register

74HC/HCT165

FEATURES

- Asynchronous 8-bit parallel load
- Synchronous serial input
- Output capability: standard
- I_{CC} category: MSI

GENERAL DESCRIPTION

The 74HC/HCT165 are high-speed Si-gate CMOS devices and are pin compatible with low power Schottky TTL (LSTTL). They are specified in compliance with JEDEC standard no. 7A.

The 74HC/HCT165 are 8-bit parallel-load or serial-in shift registers with complementary serial outputs (Q_7 and \overline{Q}_7) available from the last stage. When the parallel load (\overline{PL}) input is LOW, parallel data from the D_0 to D_7 inputs are loaded into the register asynchronously.

When \overline{PL} is HIGH, data enters the register serially at the D_S input and shifts one place to the right ($Q_0 \rightarrow Q_1 \rightarrow Q_2$, etc.) with each positive-going clock transition. This feature allows parallel-to-serial converter expansion by tying the Q_7 output to the D_S input of the succeeding stage.

The clock input is a gated-OR structure which allows one input to be used as an active LOW clock enable (\overline{CE}) input. The pin assignment for the CP and \overline{CE} inputs is arbitrary and can be reversed for layout convenience. The LOW-to-HIGH transition of input \overline{CE} should only take place while CP HIGH for predictable operation. Either the CP or the \overline{CE} should be HIGH before the LOW-to-HIGH transition of \overline{PL} to prevent shifting the data when \overline{PL} is activated.

APPLICATIONS

- Parallel-to-serial data conversion

QUICK REFERENCE DATA

GND = 0 V; T_{amb} = 25 °C; t_r = t_f = 6 ns

SYMBOL	PARAMETER	CONDITIONS	TYPICAL		UNIT
			HC	HCT	
t _{PHL} / t _{PLH}	propagation delay	C _L = 15 pF; V _{CC} = 5 V			
	CP to Q ₇ , \overline{Q}_7		16	14	ns
	\overline{PL} to Q ₇ , \overline{Q}_7		15	17	ns
	D ₇ to Q ₇ , \overline{Q}_7		11	11	ns
f _{max}	maximum clock frequency		56	48	MHz
C _I	input capacitance		3.5	3.5	pF
C _{PD}	power dissipation capacitance per package	notes 1 and 2	35	35	pF

Notes

1. C_{PD} is used to determine the dynamic power dissipation (P_D in μW):

$$P_D = C_{PD} \times V_{CC}^2 \times f_i + \sum (C_L \times V_{CC}^2 \times f_o) \text{ where:}$$

f_i = input frequency in MHz

f_o = output frequency in MHz

∑ (C_L × V_{CC}² × f_o) = sum of outputs

C_L = output load capacitance in pF

V_{CC} = supply voltage in V

2. For HC the condition is V_I = GND to V_{CC}
For HCT the condition is V_I = GND to V_{CC} - 1.5 V

ORDERING INFORMATION

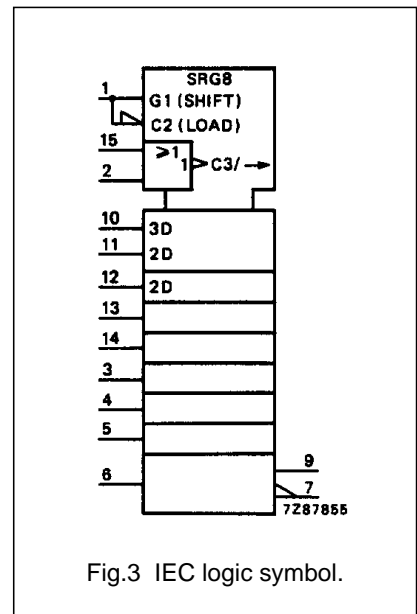
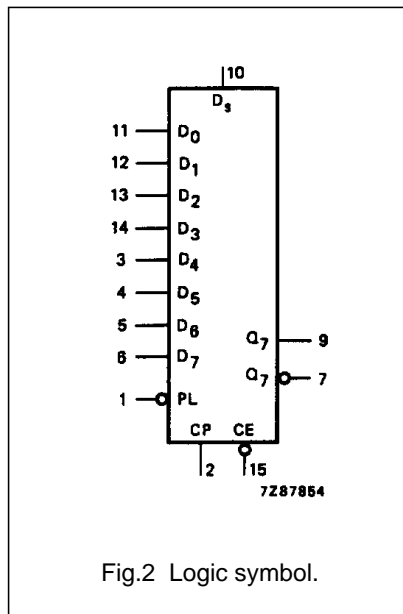
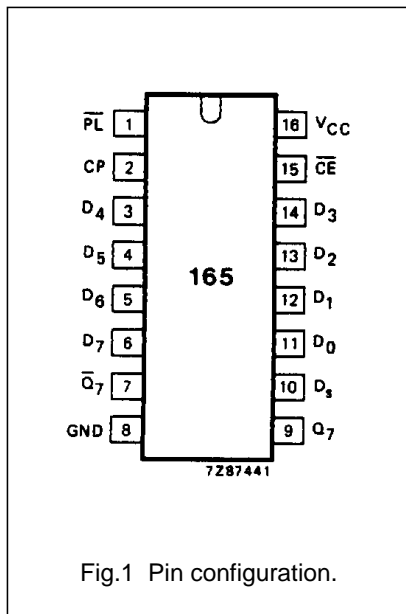
See "74HC/HCT/HCU/HCMOS Logic Package Information".

8-bit parallel-in/serial-out shift register

74HC/HCT165

PIN DESCRIPTION

PIN NO.	SYMBOL	NAME AND FUNCTION
1	\overline{PL}	asynchronous parallel load input (active LOW)
7	$\overline{Q_7}$	complementary output from the last stage
9	Q_7	serial output from the last stage
2	CP	clock input (LOW-to-HIGH edge-triggered)
8	GND	ground (0 V)
10	D_s	serial data input
11, 12, 13, 14, 3, 4, 5, 6	D_0 to D_7	parallel data inputs
15	\overline{CE}	clock enable input (active LOW)
16	V_{CC}	positive supply voltage



8-bit parallel-in/serial-out shift register

74HC/HCT165

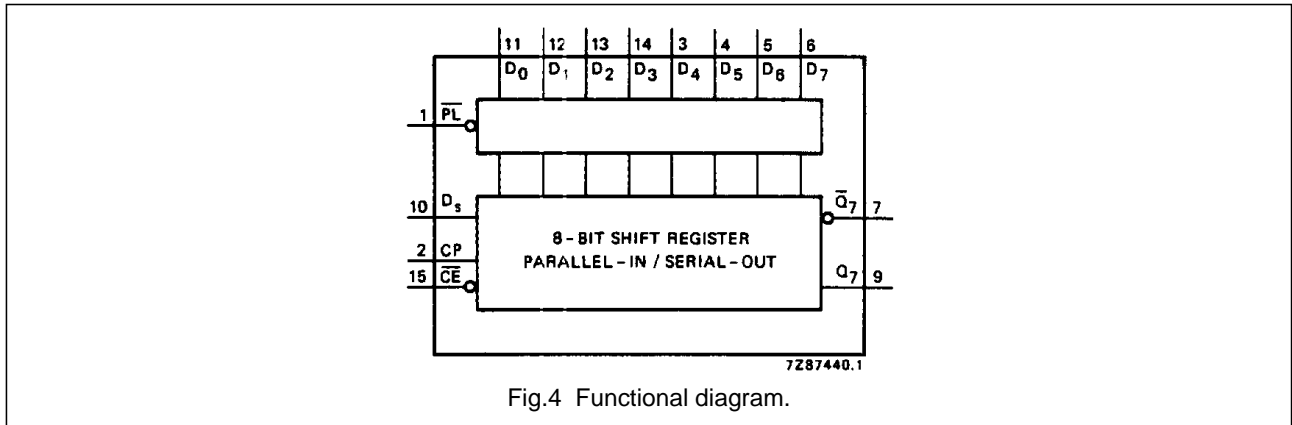


Fig.4 Functional diagram.

FUNCTION TABLE

OPERATING MODES	INPUTS					Q _n REGISTERS		OUTPUTS	
	PL	CE	CP	D _s	D ₀ -D ₇	Q ₀	Q ₁ -Q ₆	Q ₇	Q ₇
parallel load	L	X	X	X	L	L	L - L	L	H
	L	X	X	X	H	H	H - H	H	L
serial shift	H	L	↑	l	X	L	q ₀ -q ₅	q ₆	q ₆
	H	L	↑	h	X	H	q ₀ -q ₅	q ₆	q ₆
hold "do nothing"	H	H	X	X	X	q ₀	q ₁ -q ₆	q ₇	q ₇

Note

- 1. H = HIGH voltage level
- h = HIGH voltage level one set-up time prior to the LOW-to-HIGH clock transition
- L = LOW voltage level
- l = LOW voltage level one set-up time prior to the LOW-to-HIGH clock transition
- q = lower case letters indicate the state of the referenced output one set-up time prior to the LOW-to-HIGH clock transition
- X = don't care
- ↑ = LOW-to-HIGH clock transition

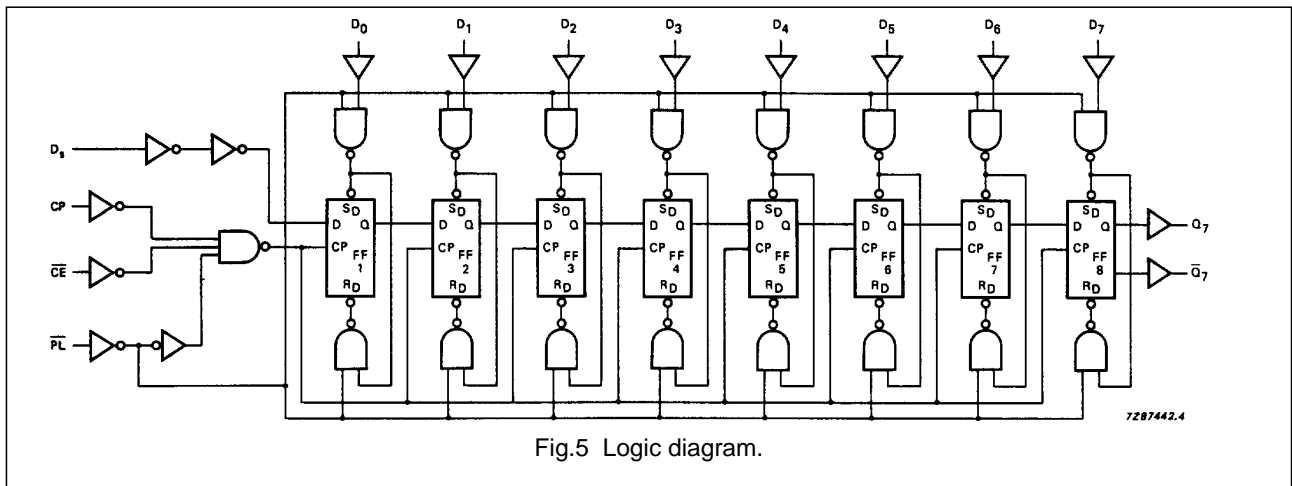


Fig.5 Logic diagram.

8-bit parallel-in/serial-out shift register

74HC/HCT165

DC CHARACTERISTICS FOR 74HC

For the DC characteristics see *"74HC/HCT/HCU/HCMOS Logic Family Specifications"*.

Output capability: standard

I_{CC} category: MSI

AC CHARACTERISTICS FOR HC

GND = 0 V; t_r = t_f = 6 ns; C_L = 50 pF

SYMBOL	PARAMETER	T _{amb} (°C)							UNIT	TEST CONDITIONS	
		74HC								V _{CC} (V)	WAVEFORMS
		+25			-40 to +85		-40 to +125				
		min.	typ.	max.	min.	max.	min.	max.			
t _{PHL} / t _{PLH}	propagation delay CE, CP to Q ₇ , \overline{Q}_7		52 19 15	165 33 28		205 41 35		250 50 43	ns	2.0 4.5 6.0	Fig.6
t _{PHL} / t _{PLH}	propagation delay PL to Q ₇ , \overline{Q}_7		50 18 14	165 33 28		205 41 35		250 50 43	ns	2.0 4.5 6.0	Fig.6
t _{PHL} / t _{PLH}	propagation delay D ₇ to Q ₇ , \overline{Q}_7		36 13 10	120 24 20		150 30 26		180 36 31	ns	2.0 4.5 6.0	Fig.6
t _{THL} / t _{TLH}	output transition time		19 7 6	75 15 13		95 19 16		110 22 19	ns	2.0 4.5 6.0	Fig.6
t _w	clock pulse width HIGH or LOW	80 16 14	17 6 5		100 20 17		120 24 20		ns	2.0 4.5 6.0	Fig.6
t _w	parallel load pulse width; LOW	80 16 14	14 5 4		100 20 17		120 24 20		ns	2.0 4.5 6.0	Fig.6
t _{rem}	removal time PL to CP, \overline{CE}	100 20 17	22 8 6		125 25 21		150 30 26		ns	2.0 4.5 6.0	Fig.6
t _{su}	set-up time D _s to CP, \overline{CE}	80 16 14	11 4 3		100 20 17		120 24 20		ns	2.0 4.5 6.0	Fig.6
t _{su}	set-up time \overline{CE} to CP; CP to \overline{CE}	80 16 14	17 6 5		100 20 17		120 24 20		ns	2.0 4.5 6.0	Fig.6
t _{su}	set-up time D _n to PL	80 16 14	22 8 6		100 20 17		120 24 20		ns	2.0 4.5 6.0	Fig.6

8-bit parallel-in/serial-out shift register

74HC/HCT165

SYMBOL	PARAMETER	T _{amb} (°C)							UNIT	TEST CONDITIONS	
		74HC								V _{CC} (V)	WAVEFORMS
		+25			-40 to +85		-40 to +125				
		min.	typ.	max.	min.	max.	min.	max.			
t _h	hold time D _s to CP, $\overline{\text{CE}}$ D _n to PL	5	6		5		5		ns	2.0	Fig.6
		5	2		5		5			4.5	
		5	2		5		5			6.0	
t _h	hold time $\overline{\text{CE}}$ to CP CP to $\overline{\text{CE}}$	5	-17		5		5		ns	2.0	Fig.6
		5	-6		5		5			4.5	
		5	-5		5		5			6.0	
f _{max}	maximum clock pulse frequency	6	17		5		4		MHz	2.0	Fig.6
		30	51		24		20			4.5	
		35	61		28		24			6.0	

8-bit parallel-in/serial-out shift register

74HC/HCT165

DC CHARACTERISTICS FOR 74HCT

For the DC characteristics see *"74HC/HCT/HCU/HCMOS Logic Family Specifications"*.

Output capability: standard

I_{CC} category: MSI

Note to HCT types

The value of additional quiescent supply current (ΔI_{CC}) for a unit load of 1 is given in the family specifications. To determine ΔI_{CC} per input, multiply this value by the unit load coefficient shown in the table below.

INPUT	UNIT LOAD COEFFICIENT
D _n	0.35
D _s	0.35
CP	0.65
\overline{CE}	0.65
\overline{PL}	0.65

8-bit parallel-in/serial-out shift register

74HC/HCT165

AC CHARACTERISTICS FOR 74HCT

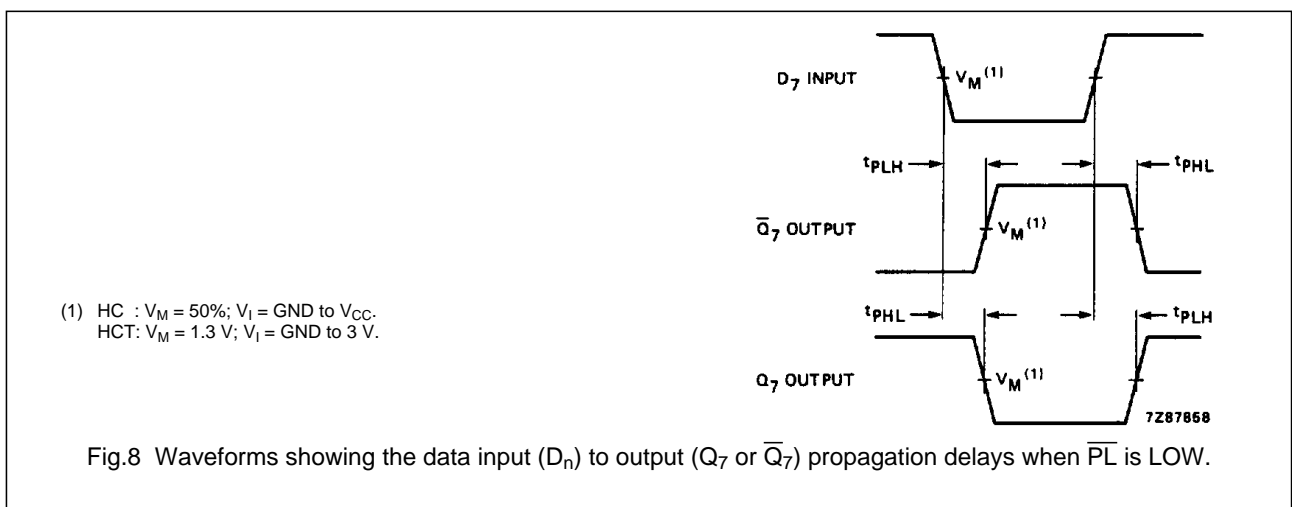
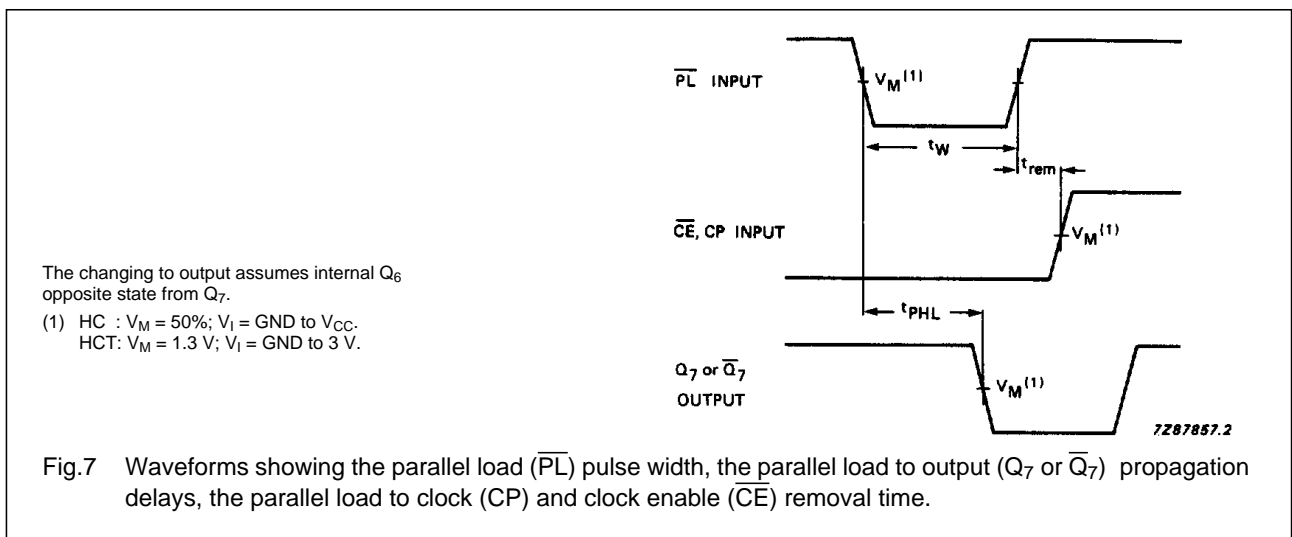
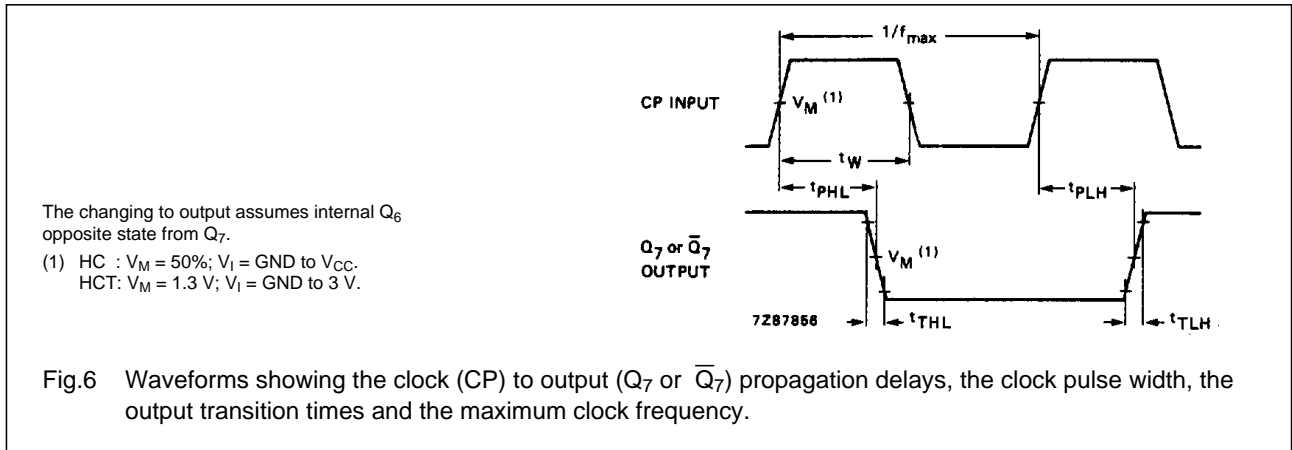
GND = 0 V; $t_r = t_f = 6$ ns; $C_L = 50$ pF

SYMBOL	PARAMETER	T_{amb} (°C)							UNIT	TEST CONDITIONS	
		74HCT								V_{CC} (V)	WAVEFORMS
		+25			-40 to +85		-40 to +125				
		min.	typ.	max.	min.	max.	min.	max.			
t_{PHL}/t_{PLH}	propagation delay \overline{CE} , CP to Q_7, \overline{Q}_7		17	34		43		51	ns	4.5	Fig.6
t_{PHL}/t_{PLH}	propagation delay PL to Q_7, \overline{Q}_7		20	40		50		60	ns	4.5	Fig.6
t_{PHL}/t_{PLH}	propagation delay D_7 to Q_7, \overline{Q}_7		14	28		35		42	ns	4.5	Fig.6
t_{THL}/t_{TLH}	output transition time		7	15		19		22	ns	4.5	Fig.6
t_W	clock pulse width HIGH or LOW	16	6		20		24		ns	4.5	Fig.6
t_W	parallel load pulse width; LOW	20	9		25		30		ns	4.5	Fig.6
t_{rem}	removal time PL to CP, \overline{CE}	20	8		25		30		ns	4.5	Fig.6
t_{su}	set-up time D_s to CP, \overline{CE}	20	2		25		30		ns	4.5	Fig.6
t_{su}	set-up time \overline{CE} to CP; CP to \overline{CE}	20	7		25		30		ns	4.5	Fig.6
t_{su}	set-up time D_n to PL	20	10		25		30		ns	4.5	Fig.6
t_h	hold time D_s to CP, \overline{CE} ; D_n to PL	7	-1		9		11		ns	4.5	Fig.6
t_h	hold time \overline{CE} to CP, CP to \overline{CE}	0	-7		0		0		ns	4.5	Fig.6
f_{max}	maximum clock pulse frequency	26	44		21		17		MHz	4.5	Fig.6

8-bit parallel-in/serial-out shift register

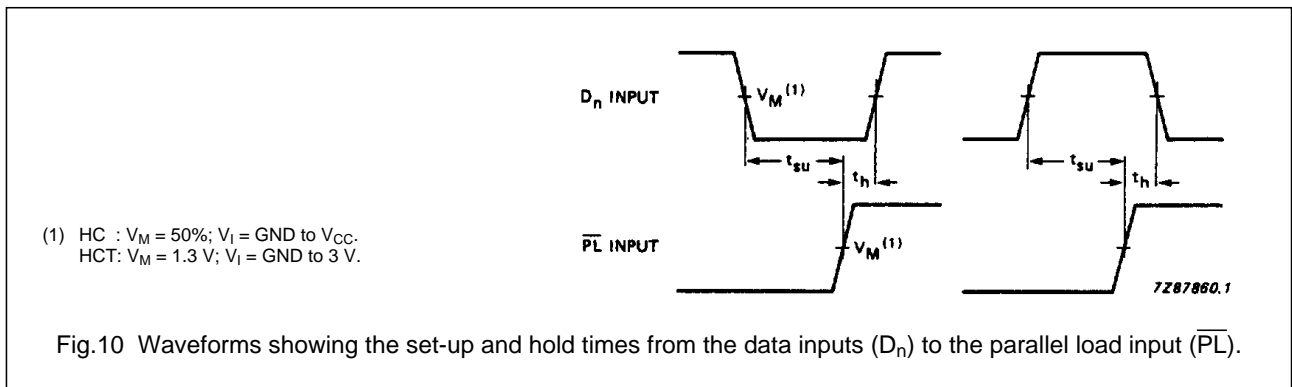
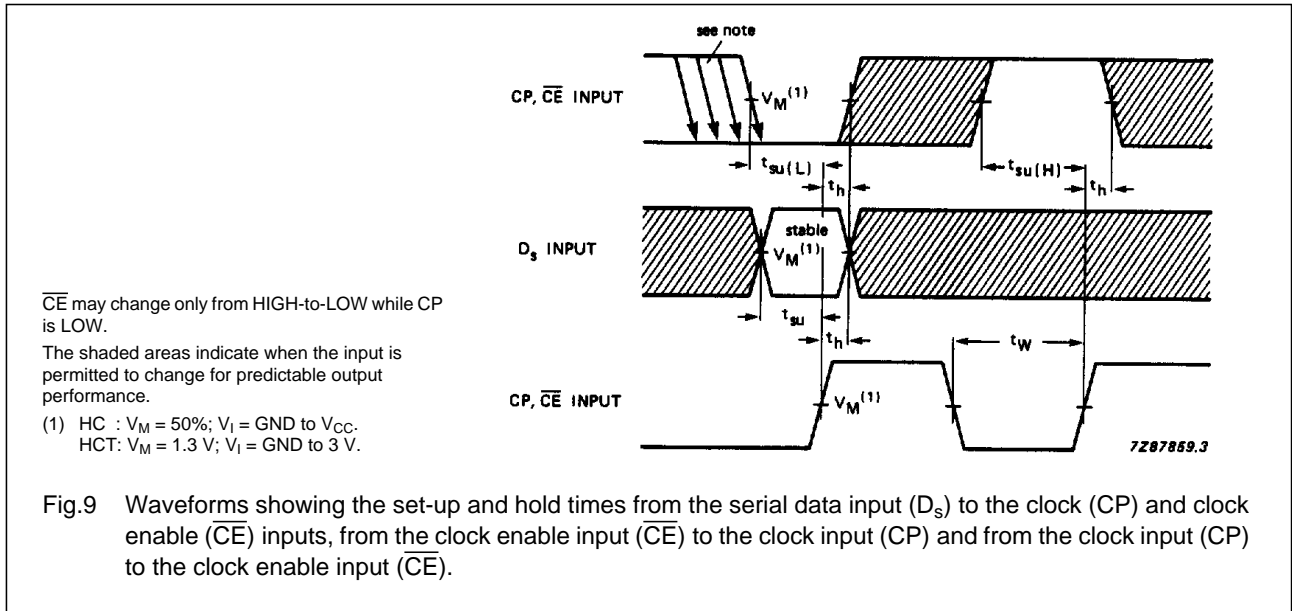
74HC/HCT165

AC WAVEFORMS



8-bit parallel-in/serial-out shift register

74HC/HCT165



PACKAGE OUTLINES

See "74HC/HCT/HCU/HCMOS Logic Package Outlines".