

DATA SHEET

PCD5013 **FLEX™** roaming decoder II

Product specification
Supersedes data of 1999 Mar 15
File under Integrated Circuits, IC17

1999 Apr 12

FLEX™ roaming decoder II**PCD5013****CONTENTS**

1	FEATURES
2	APPLICATIONS
3	GENERAL DESCRIPTION
4	QUICK REFERENCE DATA
5	ORDERING INFORMATION
6	BLOCK DIAGRAM
7	PINNING
8	FUNCTIONAL DESCRIPTION
8.1	General
8.2	Clocking, reset and start-up
8.3	Serial Peripheral Interface (SPI)
8.4	Configuration and synchronisation
8.5	Receiver control interface
8.6	Configuration of the FLEX™ CAPCODE
8.7	Call data packets
8.8	Message reception
9	LIMITING VALUES
10	HANDLING
11	THERMAL CHARACTERISTICS
12	DC CHARACTERISTICS
13	AC CHARACTERISTICS
14	OSCILLATOR CHARACTERISTICS
15	TEST AND APPLICATION INFORMATION
15.1	FLEX™ protocol
15.2	Example applications
15.3	System block diagram
16	PACKAGE OUTLINE
17	SOLDERING
17.1	Introduction to soldering surface mount packages
17.2	Reflow soldering
17.3	Wave soldering
17.4	Manual soldering
17.5	Suitability of surface mount IC packages for wave and reflow soldering methods
18	DEFINITIONS
19	LIFE SUPPORT APPLICATIONS

FLEX™ roaming decoder II

PCD5013

1 FEATURES

- FLEX™ paging protocol decoder
- 16 programmable user address words
- 16 fixed temporary addresses
- 16 operator messaging addresses
- 1600, 3200 and 6400 bits/s decoding
- Any-phase or single-phase decoding
- Uses standard Serial Peripheral Interface (SPI) in slave mode
- SSID and NID roaming support
- Backward compatible to the standard and roaming FLEX™ decoder ICs
- Allows low current power-down mode operation of host processor
- Highly programmable receiver control
- Real-time clock time base
- FLEX™ fragmentation and group messaging support
- Real-time clock over-the-air update support
- Compatible with synthesized receivers
- Low battery indication (external detector)
- Low cost LQFP32 plastic package
- Optional internal 4-level FSK demodulator and data slicer
- Operates using a 76.8 or 160 kHz crystal
- Very low power consumption
- Operates at low supply voltage
- Full support for revision 1.9 of the FLEX™ protocol.

2 APPLICATIONS

- Numeric FLEX™ pagers
- Alphanumeric FLEX™ pagers
- Roaming FLEX™ pagers
- Remote metering
- Car security systems
- Personal digital assistants.

3 GENERAL DESCRIPTION

This data sheet describes the operation of the PCD5013 integrated paging decoder. It is fully compatible with other FLEXchip™ ICs including the PCD5008.

The PCD5013, also referred to as the decoder, simplifies implementation of a FLEX™ paging device, by being able to interface with several off-the-shelf paging receivers and host microcontrollers/processors. Its primary function is to process information received and demodulated from a FLEX™ radio paging channel, select messages addressed to the paging device and communicate the message information to the host.

The PCD5013 fully supports the FLEX™ protocol (version G1.9) including all roaming aspects.

Motorola FLEXstack™ software, installed on the product host processor, communicates with the PCD5013 and interprets the codewords that are passed to the host.

The PCD5013 operates the paging receiver in an efficient power consumption mode and enables the host to operate in a low-power mode when monitoring a single channel for message information.

4 QUICK REFERENCE DATA

SYMBOL	PARAMETER	CONDITIONS	MIN.	TYP.	MAX.	UNIT
V_{DD}	supply voltage		1.8	2.2	3.6	V
I_{DD}	supply current	see Chapters 12 and 14	–	6.0	–	μA
T_{amb}	operating ambient temperature		–25	+25	+70	°C
f_{EXTAL}	external clock frequency	internal demodulator not in use	–	76.8	–	kHz
		internal demodulator in use	–	160.0	–	kHz

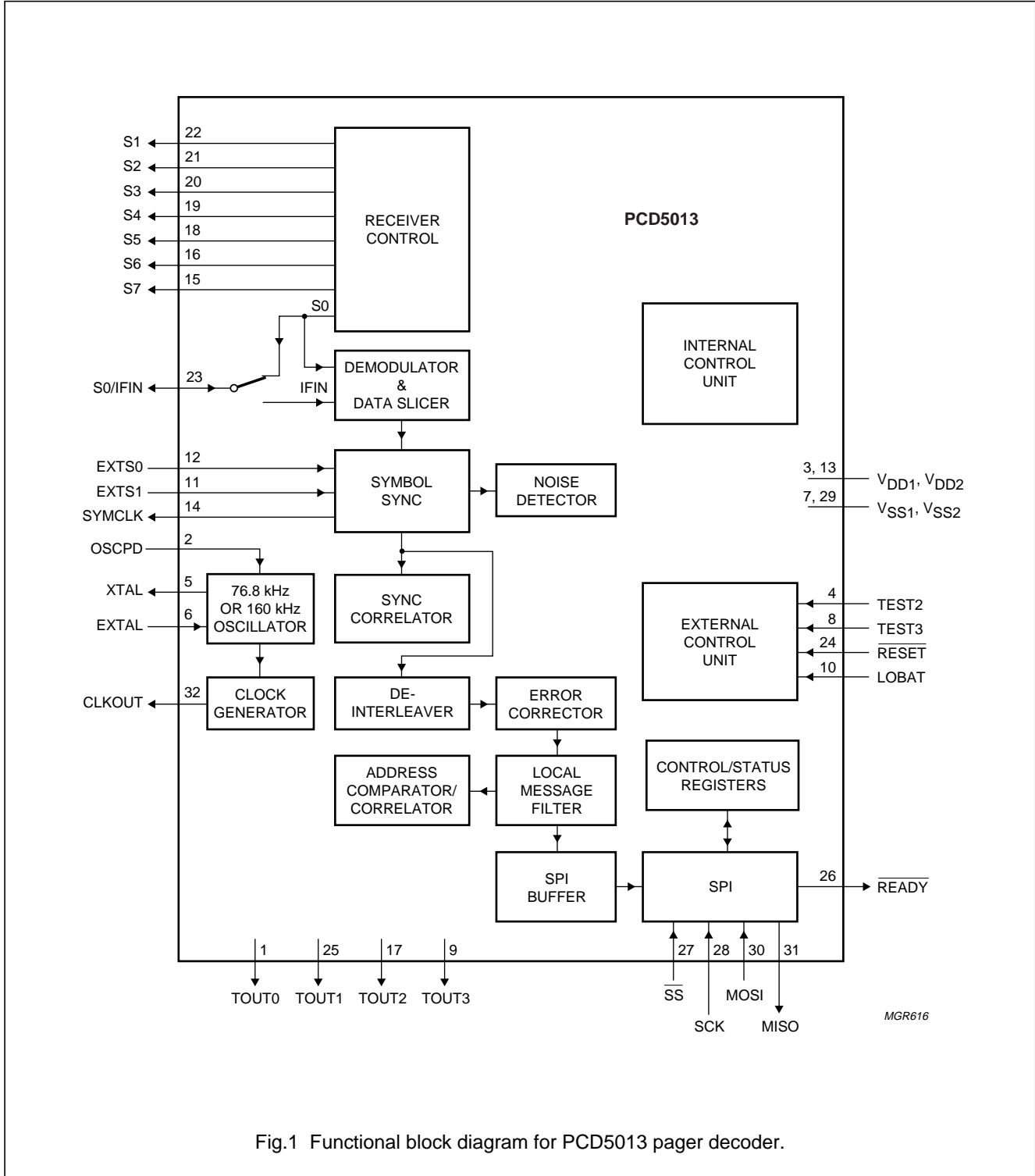
5 ORDERING INFORMATION

TYPE NUMBER	PACKAGE		
	NAME	DESCRIPTION	VERSION
PCD5013H	LQFP32	plastic low profile quad flat package; 32 leads; body 7 × 7 × 1.4 mm	SOT358-1

FLEX™ roaming decoder II

PCD5013

6 BLOCK DIAGRAM



FLEX™ roaming decoder II

PCD5013

7 PINNING

SYMBOL	PIN	I/O	DESCRIPTION
TOUT0	1	O	3-state test output; note 1
OSCPD	2	I	internal oscillator power-down; connected to V_{SS} when using the internal oscillator, connected to V_{DD} when using an external source
V_{DD1}	3	–	supply voltage
TEST2	4	I	manufacturing test mode input pin; has to be connected to V_{SS}
XTAL	5	O	76.8 or 160 kHz crystal oscillator output
EXTAL	6	I	76.8 or 160 kHz crystal oscillator input or external clock input
V_{SS1}	7	–	ground supply
TEST3	8	I	manufacturing test mode input pin; has to be connected to V_{SS}
TOUT3	9	O	3-state test output; note 1
LOBAT	10	I	low battery voltage detect input
EXTS1	11	I	most significant bit (MSB) of the symbol currently being decoded
EXTS0	12	I	least significant bit (LSB) of the symbol currently being decoded
V_{DD2}	13	–	supply voltage
SYMCLK	14	O	recovered symbol clock output
S7	15	O	receiver control output port, 3-state
S6	16	O	receiver control output port, 3-state
TOUT2	17	O	3-state test output; note 1
S5	18	O	receiver control output port, 3-state
S4	19	O	receiver control output port, 3-state
S3	20	O	receiver control output port, 3-state
S2	21	O	receiver control output port, 3-state
S1	22	O	receiver control output port, 3-state
S0/IFIN	23	I/O	receiver control output port, 3-state when using external demodulator; limited IF input 455 or 140 kHz when using internal demodulator
$\overline{\text{RESET}}$	24	I	active LOW reset input
TOUT1	25	O	3-state test output; note 1
$\overline{\text{READY}}$	26	O	output driven LOW when the PCD5013 is ready for an SPI packet
$\overline{\text{SS}}$	27	I	slave select input for SPI communications
SCK	28	I	serial clock input for SPI communications
V_{SS2}	29	–	ground supply
MOSI	30	I	data input for SPI communications
MISO	31	O	data output for SPI communications, 3-state
CLKOUT	32	O	38.4 kHz clock output (derived from 76.8 kHz oscillator); note 2

Notes

1. These test outputs may be either left unconnected or connected to V_{SS} in the application.
2. For a 160 kHz oscillator either a 38.4 or a 40 kHz output frequency can be selected. See Section 8.4.4.

FLEX™ roaming decoder II

PCD5013

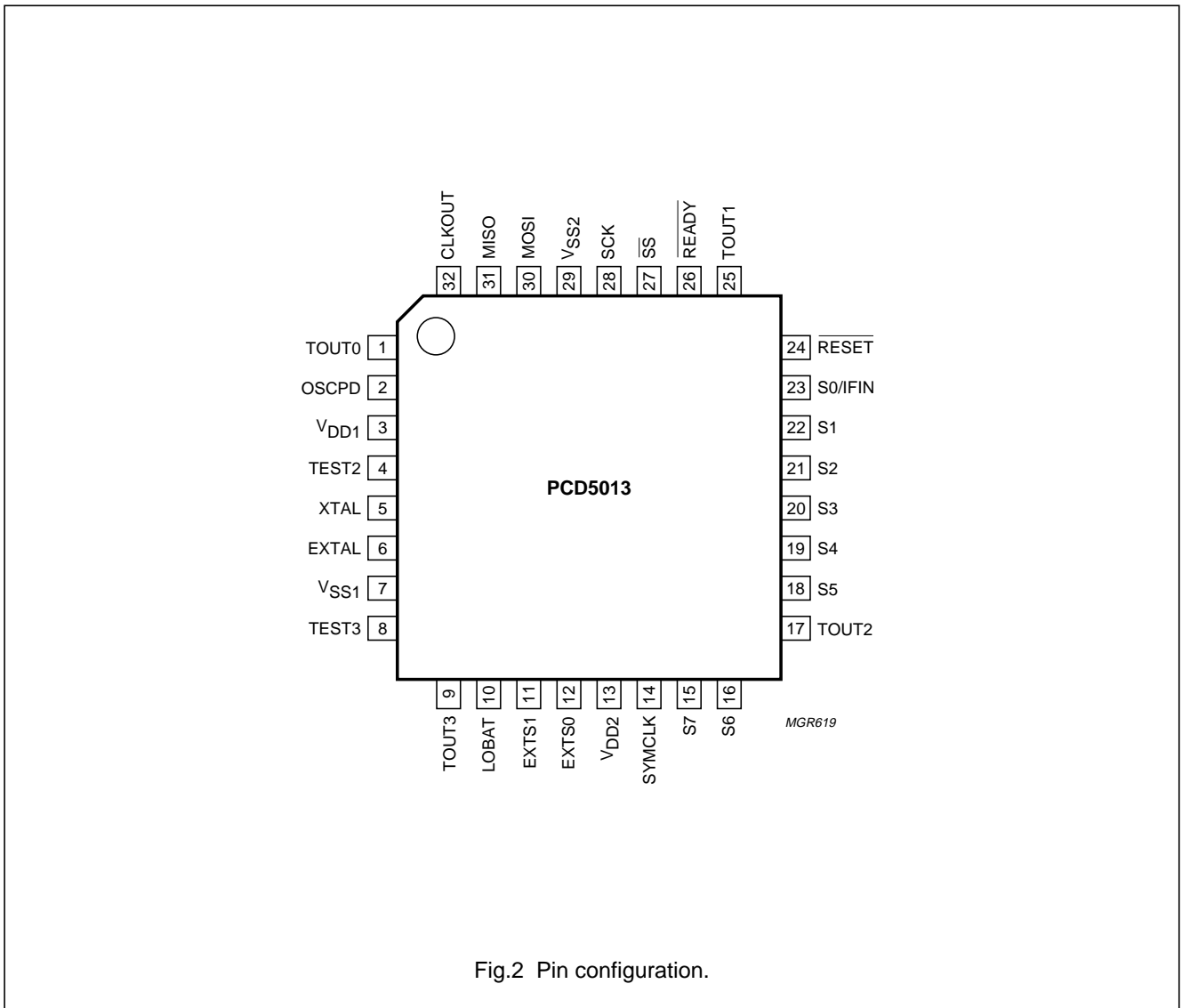


Fig.2 Pin configuration.

FLEX™ roaming decoder II

PCD5013

8 FUNCTIONAL DESCRIPTION

8.1 General

The PCD5013 simplifies implementation of a FLEX™ paging device by interfacing with off-the-shelf components such as a paging receiver and a microcontroller or microprocessor (called a host). The PCD5013 is fully compatible with FLEXstack™ software which provides a complete, platform independent, software driver for the PCD5013.

The PCD5013 fully supports all aspects of the FLEX™ protocol (version G1.9), and can operate in either single-phase or any-phase mode. The PCD5013 supports FLEX™ dynamic grouping, allowing up to 16 temporary addresses to be enabled simultaneously. It is also capable of retrieving real time information from a FLEX™ channel.

The PCD5013 connects to any receiver capable of providing a 2-bit digital signal. The PCD5013 operates the paging receiver in an efficient power consumption mode. The PCD5013 has 8 receiver control lines used for warming up, operating and shutting down a receiver in stages.

The PCD5013 has the ability to detect a battery-low signal from an external detector during the receiver control sequences.

The PCD5013 carries out the following functions:

- Synchronises to a FLEX™ data stream
- Processes received, demodulated information
- Performs de-interleaving and error correction
- Selects calls addressed to the paging device using up to 16 programmable addresses
- Communicates the message information to the host.

The PCD5013 interfaces to a host through a serial peripheral interface (SPI). The host can then interpret the message information in an appropriate manner (numeric, alphanumeric, binary, etc.). This function is provided by the FLEXstack™ software.

When configured to use the internal demodulator, the PCD5013 connects to a receiver capable of generating a limited (i.e. 1-bit digitized) 455 or 140 kHz IF signal (IF frequency automatically detected).

The PCD5013 enables the host to operate in a low-power mode when monitoring a single channel for message information. It has a 38.4 kHz clock output (40 kHz available when using the internal demodulator) capable of driving other devices, and has a 1-minute timer that offers low-power support for a real-time clock function on the

host. The host can use receiver control lines which are not required by the receiver as expansion ports to control other peripheral devices.

8.2 Clocking, reset and start-up

8.2.1 OSCILLATOR

The PCD5013 uses an inverting crystal oscillator. The clock signal for the internal circuitry is derived via an amplifier from the oscillator input pin EXTAL. Alternatively, an external clock signal can be fed in at input pin EXTAL. In this case the internal oscillator can be disabled by pulling the OSCPD input pin HIGH. This reduces current consumption and routes EXTAL directly to the internal clock signal. When using a crystal, an external feedback resistor and the load capacitances need to be connected to pins EXTAL and XTAL (Fig.19). See Chapter 14 for the recommended crystal parameters and the specification of the oscillator transconductance to guarantee correct start-up.

The PCD5013 oscillator can operate at either 76.8 kHz or 160 kHz by selecting the appropriate crystal. The choice of frequency is determined by the setting of the IDE bit in the configuration packet; see Section 8.4.4.

8.2.2 RESET AND START-UP CONDITIONS

The PCD5013 is reset by pulling the $\overline{\text{RESET}}$ input LOW. After releasing the $\overline{\text{RESET}}$ by pulling it HIGH, the PCD5013 counts 76 800 clock cycles (independent of the oscillator frequency) before pulling $\overline{\text{READY}}$ LOW to indicate that the decoder is ready for configuration via the SPI.

See Fig.3 and Chapter 13 for the PCD5013 timing specifications when power is applied.

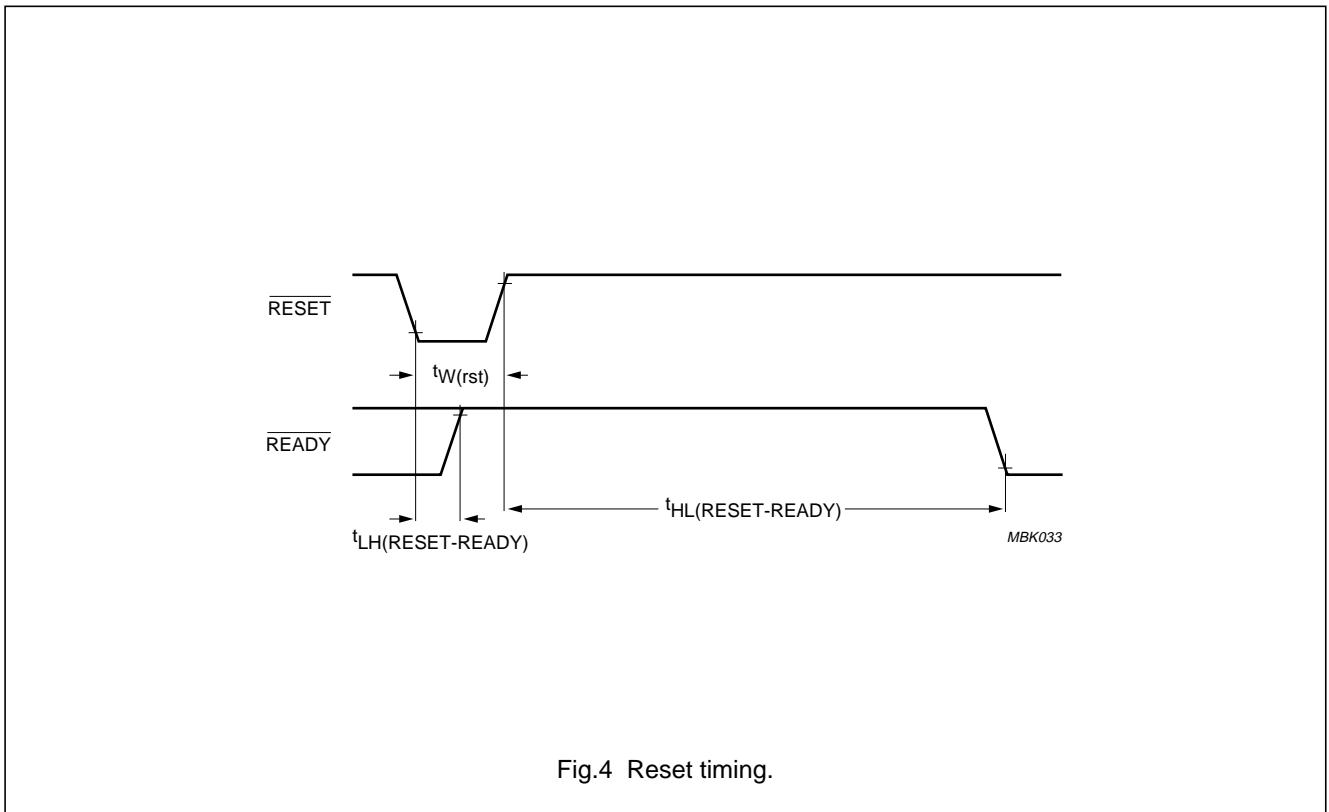
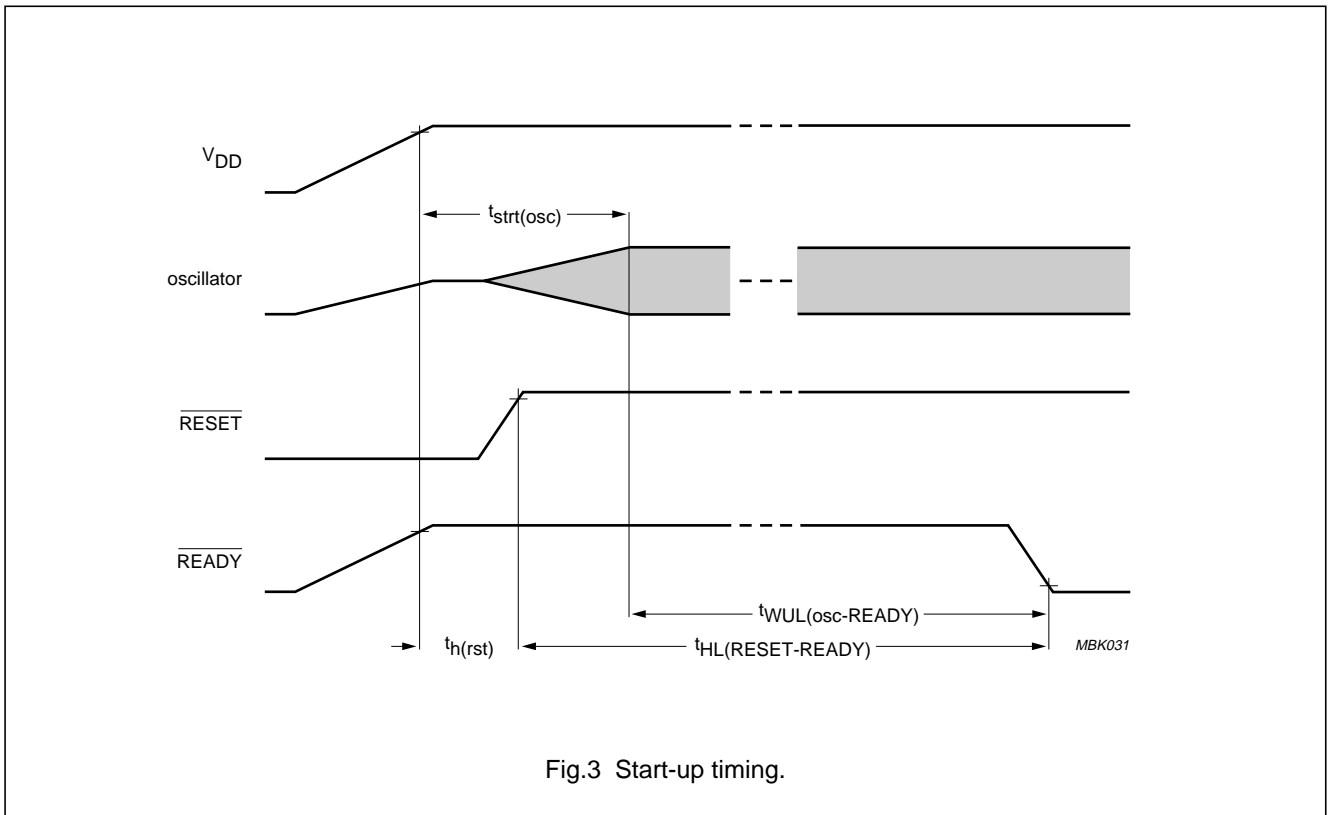
See Fig.4 and Chapter 13 for the PCD5013 timing specifications when it is reset.

After switch-on, the PCD5013 operates in Asynchronous mode, periodically sampling the channel for incoming data. As soon as data is detected, the PCD5013 maintains the receiver on to synchronize to the channel. Once the pager is synchronized to the channel it enters Synchronous mode, switching the receiver on only for the programmed frames.

When the receiver is programmed for Roaming operation, the PCD5013 sends information which allows the host to calculate when to switch frequencies in a roaming network.

FLEX™ roaming decoder II

PCD5013



FLEX™ roaming decoder II

PCD5013

8.3 Serial Peripheral Interface (SPI)

8.3.1 GENERAL

All data communication between the PCD5013 and the host is done via the SPI using 32-bit data packets at data rates up to 1 Mbits/s. SPI transfers are full-duplex and can be initiated by either the host which acts as the SPI master providing the data clock for packet transfer, or the PCD5013 as an SPI slave.

The host can send packets to configure or control the PCD5013 or a checksum packet to validate SPI communication (Section 8.4.2). The PCD5013 buffers data packets, relating to received data, into a 32 packet transmit buffer. The PCD5013 can send either a status packet, a part ID packet, or packets from the transmit buffer. In the event of a buffer overflow, the PCD5013 stops decoding and clears the transmit buffer.

8.3.2 SPI INTERCONNECT

Connection on the PCD5013 consists of a $\overline{\text{READY}}$ pin and 4 SPI pins ($\overline{\text{SS}}$, SCK, MOSI and MISO):

$\overline{\text{READY}}$: output signal; indicates that data is available from the PCD5013

$\overline{\text{SS}}$: SPI select; used as PCD5013 chip select

SCK: serial clock; output from the host used for clocking data

MOSI: master output slave input; data output from the host

MISO: master input slave output; data output from the PCD5013.

8.3.3 SPI TRANSFER INITIATED BY THE HOST

The following steps occur when the host initiates an SPI packet transfer, see Fig.5 for event timings:

1. The host selects the PCD5013 by driving the $\overline{\text{SS}}$ pin LOW.

2. The PCD5013 indicates that it is ready to start the SPI transfer by driving the $\overline{\text{READY}}$ pin LOW.
3. The host clocks each of the 32 bits of the SPI packet by pulsing SCK. Both the host and the PCD5013 sample data on the rising edge of SCK. Packets are sent MSB first.
4. The PCD5013 pulls the $\overline{\text{READY}}$ line HIGH, to indicate that the transfer is complete.
5. The host waits until the $\overline{\text{READY}}$ line is pulled HIGH, then de-selects the PCD5013 SPI by driving the $\overline{\text{SS}}$ pin HIGH.
6. The first 5 steps are repeated for each additional packet.

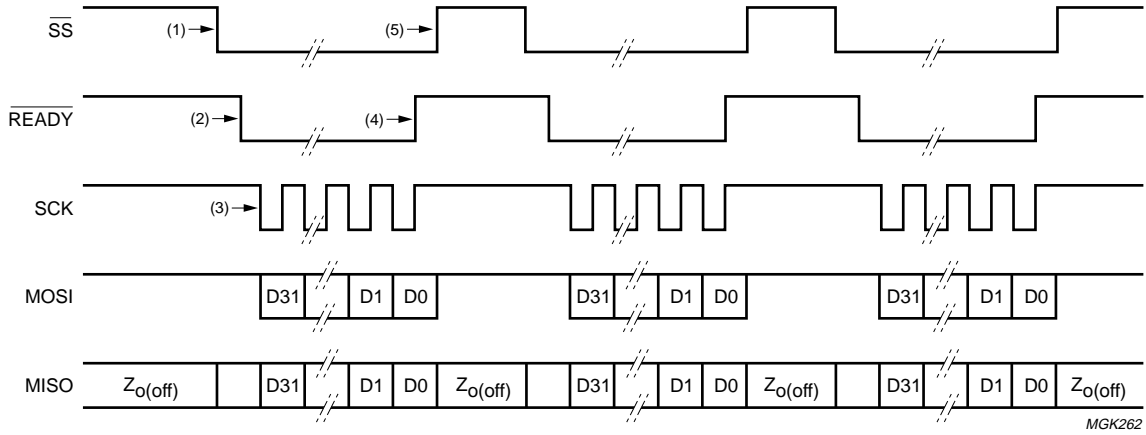
8.3.4 SPI TRANSFER INITIATED BY THE DECODER

The following steps occur when the PCD5013 initiates an SPI packet transfer, see Fig.6 for event timings:

1. The PCD5013 initiates the SPI transfer by driving the $\overline{\text{READY}}$ pin LOW.
2. If the PCD5013 is not already selected, the host selects the PCD5013 SPI by driving the $\overline{\text{SS}}$ pin LOW.
3. The host clocks each of the 32 bits of the SPI packet by pulsing SCK. Both the host and the PCD5013 sample data on the rising edge of SCK. Packets are sent MSB first.
4. The PCD5013 pulls the $\overline{\text{READY}}$ line HIGH, to indicate that the transfer is complete.
5. The host may then either de-select the SPI interface of the PCD5013 (Fig.7) by driving the $\overline{\text{SS}}$ pin HIGH or maintain $\overline{\text{SS}}$ LOW to continue sending packets to the PCD5013.

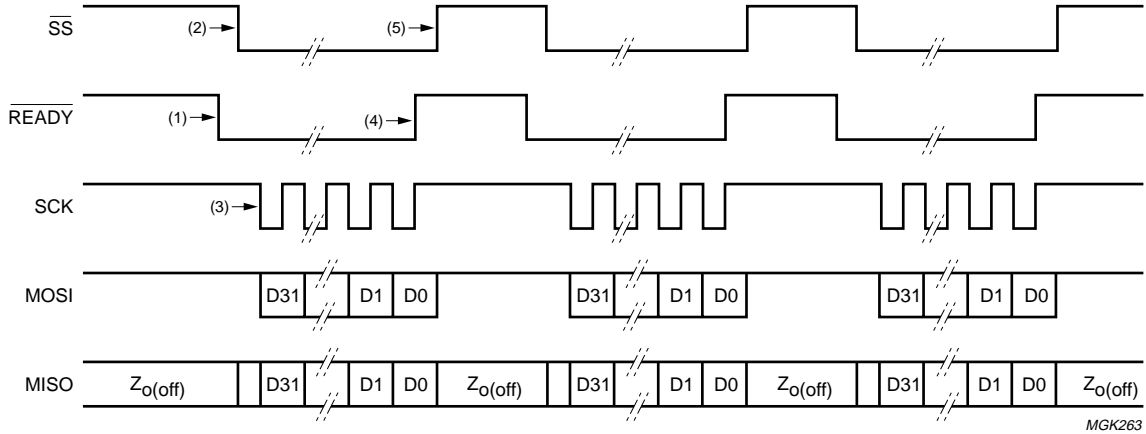
FLEX™ roaming decoder II

PCD5013



Numbers within parenthesis refer to sequence numbers, see Section 8.3.3.

Fig.5 Typical multiple SPI transfers initiated by the host.



Numbers within parenthesis refer to sequence numbers, see Section 8.3.4.

Fig.6 Typical multiple SPI transfers initiated by the PCD5013.

FLEX™ roaming decoder II

PCD5013

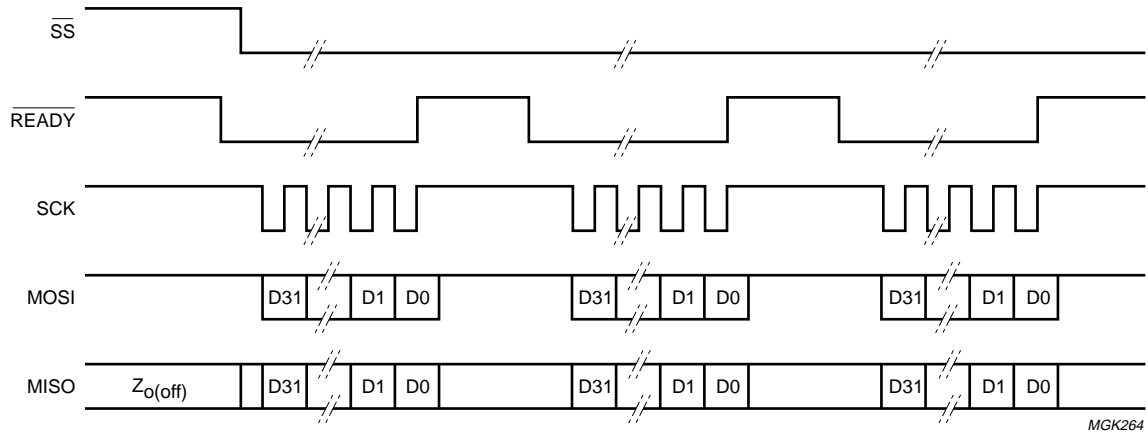


Fig.7 Multiple SPI transfers initiated by the PCD5013 with \overline{SS} maintained LOW.

FLEX™ roaming decoder II

PCD5013

8.3.5 SPI PACKET FORMAT

SPI data packets consist of an 8-bit ID (byte 3), followed by 24 bits of information (byte 2 to byte 0). See Table 1, note that bit 7 of byte 3 is the first bit on the bus.

8.3.6 SPI TIMING

See Fig.8 and Chapter 13 for the timing specifications of the SPI.

Table 1 Packet bit assignments

BYTE	BIT 7	BIT 6	BIT 5	BIT 4	BIT 3	BIT 2	BIT 1	BIT 0
3	D31	D30	D29	D28	D27	D26	D25	D24
2	D23	D22	D21	D20	D19	D18	D17	D16
1	D15	D14	D13	D12	D11	D10	D9	D8
0	D7	D6	D5	D4	D3	D2	D1	D0

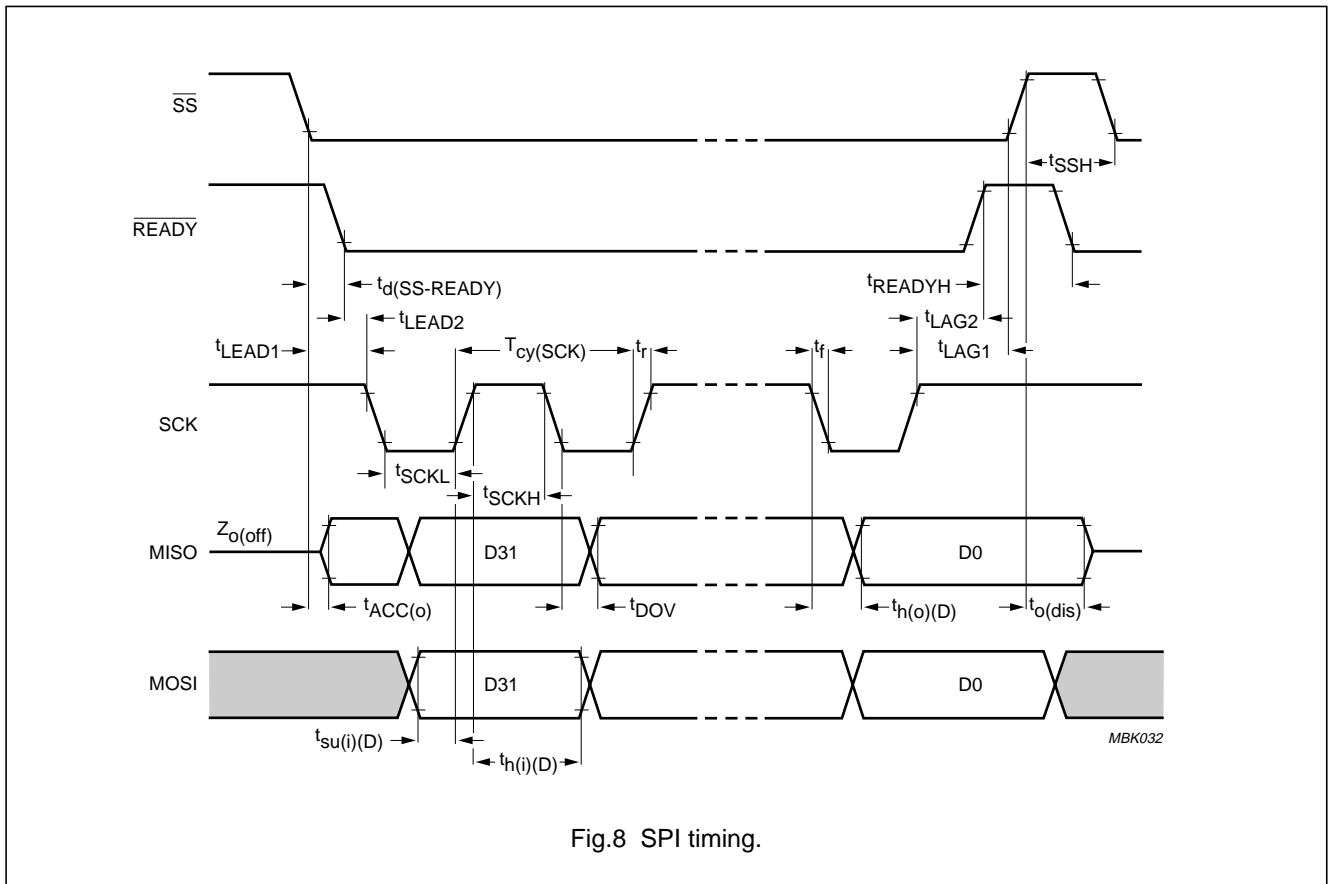


Fig.8 SPI timing.

FLEX™ roaming decoder II

PCD5013

8.3.7 HOST-TO-DECODER PACKETS OVERVIEW

This section summarises the packets which can be sent from the host to the decoder.

Table 2 Host-to-decoder packet ID map2

PACKET		
ID (HEX)	TYPE	SECTION
00	checksum	8.4.6
01	configuration	8.4.4
02	control	8.4.7
03	all frame mode	8.8.4
04	operator message address enable	8.6.9
05	roaming control	8.4.9
06	timing control	8.4.10
07 to 0E	reserved (host should never send)	–
0F	receiver line control	8.5.7
10	receiver control configuration (off setting)	8.5.4
11	receiver control configuration (warm-up 1 setting)	8.5.5.3
12	receiver control configuration (warm-up 2 setting)	8.5.5.3
13	receiver control configuration (warm-up 3 setting)	8.5.5.3
14	receiver control configuration (warm-up 4 setting)	8.5.5.3
15	receiver control configuration (warm-up 5 setting)	8.5.5.3
16	receiver control configuration (3200 sps sync setting)	8.5.6.2
17	receiver control configuration (1600 sps sync setting)	8.5.6.2
18	receiver control configuration (3200 sps data setting)	8.5.6.2
19	receiver control configuration (1600 sps data setting)	8.5.6.2
1A	receiver control configuration (shut-down 1 setting)	8.5.8.1
1B	receiver control configuration (shut-down 2 setting)	8.5.8.1
1C to 1F	special (ignored by decoder)	–
20	frame assignment (frames 112 to 127)	8.6.7
21	frame assignment (frames 96 to 111)	8.6.7
22	frame assignment (frames 80 to 95)	8.6.7
23	frame assignment (frames 64 to 79)	8.6.7
24	frame assignment (frames 48 to 63)	8.6.7
25	frame assignment (frames 32 to 47)	8.6.7
26	frame assignment (frames 16 to 31)	8.6.7
27	frame assignment (frames 0 to 15)	8.6.7
28 to 77	reserved (host should never send)	–
78	user address enable	8.6.6
79 to 7F	reserved (host should never send)	–
80	user address assignment (user address 0)	8.6.6
81	user address assignment (user address 1)	8.6.6
82	user address assignment (user address 2)	8.6.6

FLEX™ roaming decoder II

PCD5013

PACKET		
ID (HEX)	TYPE	SECTION
83	user address assignment (user address 3)	8.6.6
84	user address assignment (user address 4)	8.6.6
85	user address assignment (user address 5)	8.6.6
86	user address assignment (user address 6)	8.6.6
87	user address assignment (user address 7)	8.6.6
88	user address assignment (user address 8)	8.6.6
89	user address assignment (user address 9)	8.6.6
8A	user address assignment (user address 10)	8.6.6
8B	user address assignment (user address 11)	8.6.6
8C	user address assignment (user address 12)	8.6.6
8D	user address assignment (user address 13)	8.6.6
8E	user address assignment (user address 14)	8.6.6
8F	user address assignment (user address 15)	8.6.6
90 to FF	reserved (host should never send)	–

8.3.8 DECODER-TO-HOST PACKETS OVERVIEW

This section summarises the packets which can be sent from the PCD5013 to the host (Table 3).

Table 3 Decoder-to-host packet ID map

PACKET		
ID (HEX)	TYPE	SECTION
00	block information word	8.7.9
01	address	8.7.2
02 to 57	vector or message (ID is word number in frame)	8.7.3 and 8.7.8
58 to 5F	reserved	–
60	roaming status	8.4.13
61 to 7D	reserved	–
7E	receiver shutdown	8.4.12
7F	status	8.4.11
80 to FE	reserved	–
FF	part ID	8.4.5

FLEX™ roaming decoder II

PCD5013

8.4 Configuration and synchronisation

8.4.1 GENERAL

After a reset, all configuration data has to be (re)loaded into the PCD5013 by the host using the SPI. PCD5013 features which do not change during operation are configured using the configuration packet (Section 8.4.4), the receiver control packets (Section 8.5) and the address configuration packets (Section 8.6). PCD5013 features which can be changed during operation are configured using the control packet. The checksum packet ensures proper communication between the host and the PCD5013.

8.4.2 SPI SECURITY ALGORITHM

The PCD5013 provides a security algorithm to verify correct SPI operation (Figs 9 and 10). The PCD5013 maintains a checksum register equal to the result of XORing the 24 data bits of every packet it receives, except the checksum packet 00H and special packets 1CH to 1FH. When the PCD5013 is reset, the internal checksum register is initialized to the 24-bit part ID defined in the part ID packet.

Immediately following a reset and whenever the host sends a packet other than a checksum packet, the SPI output of status and data (SPI transmit) is disabled. The PCD5013 then initiates SPI transfers continuously, sending the part ID packet (Section 8.4.5). Note that when SPI transmit is disabled all decoding and timing functions are unaffected. The SPI transmit can be enabled by

sending a checksum packet for which the checksum value matches the checksum register.

Checksum packets sent when the SPI transmit is enabled, are ignored by the PCD5013 irrespective of the value of the checksum packet data bits. Thus when the PCD5013 initiates an SPI transfer and the host has no data to send, the host should send the checksum packet so as not to disable the SPI transmit. The data in the checksum packet could be a null packet (32-bit stream of all zeros).

Sending a packet other than the checksum packet when the SPI transmit is enabled causes the SPI transmit to be disabled until a checksum packet is sent with the correct value. Thus when the host re-configures the PCD5013 after a reset, the SPI transmit is disabled until the host sends a checksum packet at the end of the configuration data, with the checksum value equal to the result of XORing together the data bits of each of the configuring packets and the data bits of the part ID packet.

If the SPI transmit is enabled and a receiver shutdown packet is pending, the receiver shutdown packet is sent. If there is no receiver shutdown packet pending, but there is a roaming status packet pending, the roaming status packet is sent. If neither the receiver shutdown packet nor the roaming status packet is pending and there is data in the transmit buffer, the PCD5013 initiates an SPI transfer sending a packet from its transmit buffer. The PCD5013 sends the status packet (which is not buffered) when the host initiates an SPI transfer and the transmit buffer is empty.

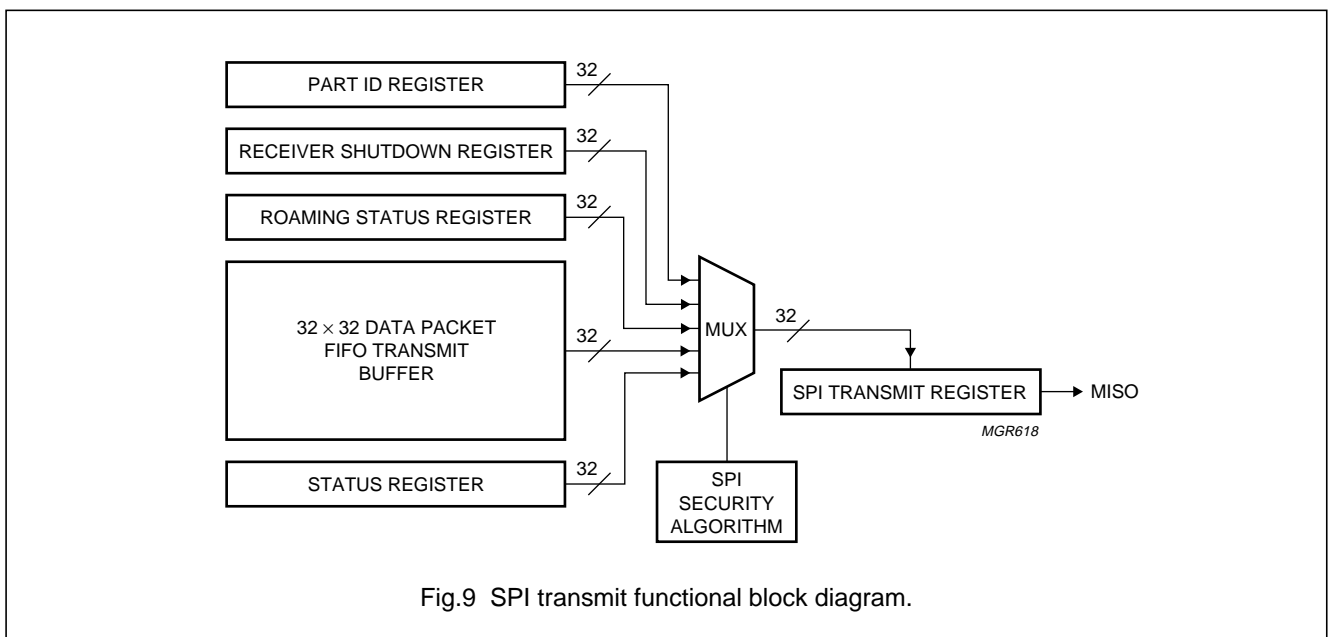
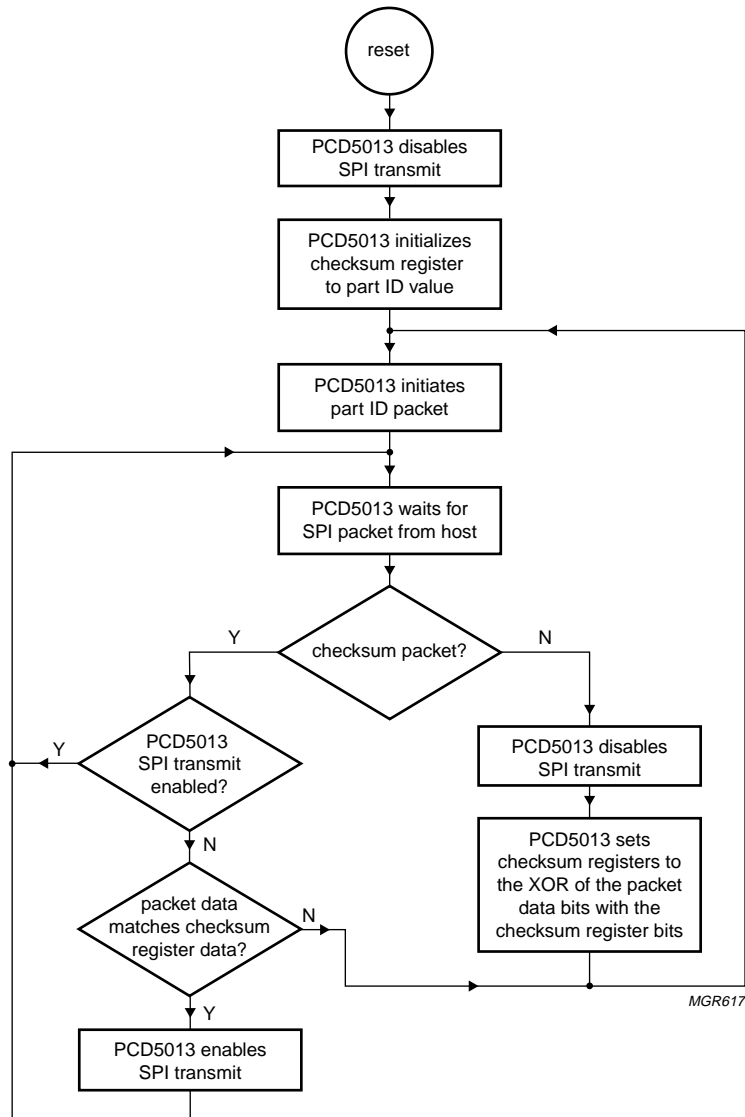


Fig.9 SPI transmit functional block diagram.

FLEX™ roaming decoder II

PCD5013



MGR617

Fig.10 SPI security algorithm.

FLEX™ roaming decoder II

PCD5013

8.4.3 CONFIGURATION SEQUENCE

A typical configuration and synchronisation sequence would be as follows, see Fig.11 for event timings:

1. The PCD5013 is reset by the host.
2. After 76800 clock cycles the PCD5013 interrupts the host to read the part ID by pulling the READY line LOW.
3. The host pulls SS LOW at the start of each SPI transfer and clocks out the part ID data.
4. The host configures the following aspects of PCD5013 operation:
 - a) General configuration (Section 8.4.4)
 - b) Receiver operation (Section 8.5)
 - c) FLEX™ CAPCODE configuration (Section 8.6).
 The PCD5013 writes a part ID packet in response to each incoming packet.
5. At the end of each packet the PCD5013 pulls the READY line HIGH, and then LOW again to indicate that packet processing is complete.
6. The host writes a control packet to enable FLEX™ decoding in the PCD5013 (Section 8.4.7).
7. The host writes a checksum packet to enable SPI data output by the PCD5013 (Section 8.4.2).
8. On recognising a SYNC word, the PCD5013 synchronises to the channel.
9. The PCD5013 initiates an SPI transfer writing the status packet, indicating that it is now in synchronous mode.

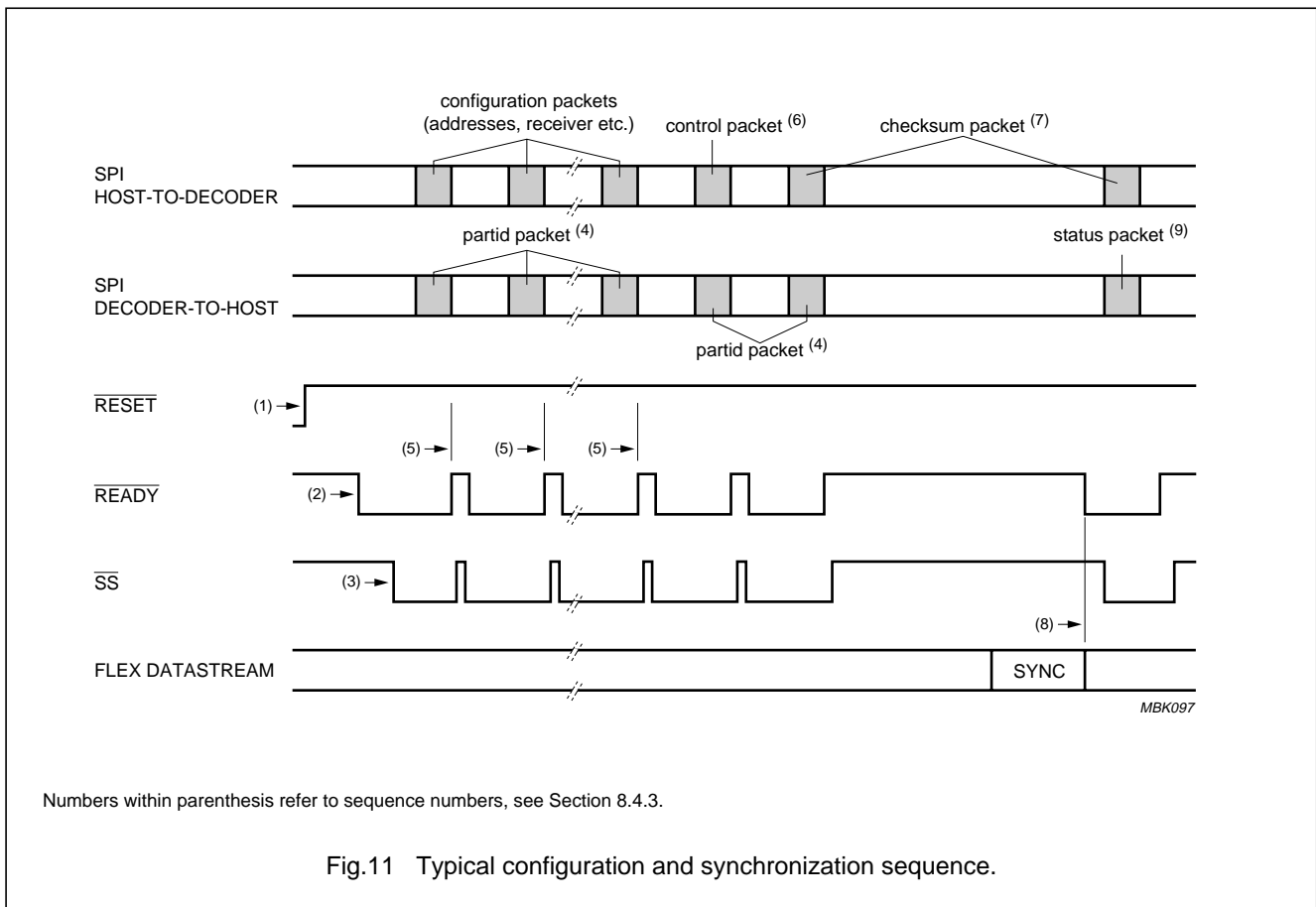


Fig.11 Typical configuration and synchronization sequence.

FLEX™ roaming decoder II

PCD5013

8.4.4 CONFIGURATION PACKET (ID = 01H)

The configuration packet defines a number of different configuration options for the PCD5013. The PCD5013 ignores this packet when decoding is enabled, i.e. the ON bit in the control packet is set (Table 12).

DFC: disable fractional clock (Table 8). When this bit is set and IDE is set, the CLKOUT signal generates a 40 kHz signal (EXTAL divided-by-4). When this bit is cleared and IDE is set, the CLKOUT signal generates a 38.4 kHz signal (EXTAL fractionally divided by $\frac{25}{6}$). This bit has no effect when IDE is cleared. Value after reset = 0.

IDE: internal demodulator enable (Table 8). When this bit is set, the internal demodulator is enabled and the clock frequency at EXTAL is expected to be 160 kHz. When this bit is cleared, the internal demodulator is disabled and the clock frequency at EXTAL is expected to be 76.8 kHz. Value after reset = 0.

OFD: oscillator frequency difference (Tables 4 and 8). These bits represent the maximum frequency difference between the 76.8 kHz oscillator (accounting for ageing, temperature variation, manufacturing tolerance etc.) and the worst case transmitter bit rate (specified as ± 25 parts per million (ppm) in the FLEX™ specification). For example, if the transmitter tolerance is ± 25 ppm and the 76.8 kHz oscillator tolerance is ± 140 ppm, the transmitter-oscillator frequency difference is ± 165 ppm and OFD should be cleared (300 ppm maximum). Value after reset = 0. Note that configuring a smaller frequency difference in this packet results in lower power consumption due to higher receiver battery save ratios.

Table 4 Oscillator frequency difference

OFD ₁	OFD ₀	FREQUENCY DIFFERENCE (ppm)
0	0	± 300
0	1	± 150
1	0	± 75
1	1	± 0

PCE: partial correlation enable (Table 8). When this bit is set, partial correlation of addresses is enabled. When partial correlation is enabled, the PCD5013 shuts down the receiver before the end of the last FLEX™ block which contains addresses if it can determine that none of the addresses in that FLEX™ block matches any enabled address in the PCD5013. When this bit is cleared, the receiver is controlled as in the PCD5008. Value after reset = 0.

SP: signal polarity (Tables 8, 5 and 6). These bits set the polarity of EXTS1 and EXTS0 input signals. The polarity of the EXTS1 and EXTS0 bits is determined by the receiver design. Value after reset = 0.

Table 5 Input signal polarity

SP ₁	SP ₀	SIGNAL POLARITY	
		EXTS1	EXTS0
0	0	normal	normal
0	1	normal	inverted
1	0	inverted	normal
1	1	inverted	inverted

Table 6 FLEX™ 4 level FSK modulation (SP = 00)

EXTS1	EXTS0	DEVIATION (Hz)
1	0	+4800
1	1	+1600
0	1	-1600
0	0	-4800

SME: synchronous mode enable (Table 8). When this bit is set, a status packet is sent automatically whenever the synchronous mode update (SMU) bit in the status packet is set. This happens whenever a change occurs in the synchronous mode (SM) status bit, which indicates that the decoder is synchronized to a FLEX™ data stream. The host can use the SM bit in the status packet as an in-range/out-of-range indication. Value after reset = 0.

COD: clock output disable (Table 8). When this bit is cleared, a 38.4 or 40 kHz signal is output on the CLKOUT pin (depending on the values of IDE and DFC). When this bit is set, the CLKOUT pin is driven LOW. Value after reset = 0.

- Setting and clearing this bit can cause pulses on the CLKOUT pin that are less than one half the 38.4 kHz period.
- When the clock output is enabled and not set for intermittent operation (see ICO in this packet), the CLKOUT pin always outputs the clock signal even when the PCD5013 is in reset (as long as a clock signal is available to the PCD5013 oscillator).
- When the PCD5013 is used in internal demodulator mode (i.e. uses a 160 kHz oscillator), the CLKOUT pin is 80 kHz from reset until the time the IDE bit is set.

FLEX™ roaming decoder II

PCD5013

LBP: low battery polarity (Table 8). This bit defines the polarity of the PCD5013’s LOBAT pin: When this bit is set, a HIGH at input LOBAT represents a low battery condition. The LB bit in the status packet is initialized to the inverse (i.e. inactive) value of the LBP bit when the PCD5013 is turned on (by setting the ON bit in the control packet). When the PCD5013 is turned on, the first low battery update in the status packet is sent to the host when a low battery condition is detected on the LOBAT pin. Value after reset = 0.

MOT: maximum off time (Table 8). When this bit is set, the PCD5013 assumes that the service provider leaves up to 1 minute between transmitted frames. When this bit is clear, the PCD5013 assumes that there can be up to 4 minutes between transmitted frames. This bit has no effect if AST in the Timing Control Packet is non-zero. Value after reset = 0.

MTE: minute timer enable (Table 8). When this bit is set, a status packet is sent at one minute intervals with the minute time-out (MT) bit in the status packet set. When this bit is clear, the internal 1-minute timer stops counting. See Section 8.4.8 for details of 1-minute timer operation. Note that the minute timer is not accurate using a 160 kHz oscillator until the IDE bit is set. Value after reset = 0.

ICO: intermittent clock out (Table 8). When this bit is clear and COD is clear, a 38.4 or 40 kHz (depending on the values of IDE and DFC) signal is output on the CLKOUT pin. When this bit is set and COD is clear, the clock is only output on the CLKOUT pin while the receiver is not in the Off state. The clock is output for a few cycles before the receiver transitions from the off state and for a few cycles after the receiver transitions to the off state (this is to insure that the receiver receives enough clocks to detect and process the changes to and from the off state). The CLKOUT pin is driven LOW when it is not driving a clock.

Note that when the clock is automatically enabled and disabled (i.e. when ICO is set), the CLKOUT signal transitions are clean (i.e. no pulses less than half the clock period) when it transitions between no clock and clocked output. This bit has no effect when COD is set. Value after reset = 0.

8.4.5 PART ID PACKET (ID = FFH)

The part ID packet is output by the PCD5013 SPI whenever the SPI transmit is disabled due to the checksum feature. The value of the part ID packet for the PCD5013 is FF000308H.

MDL: model (Table 9). The PCD5013 model value is 0.

CID: compatibility ID (Table 9). This value describes other parts with the same model number, which are compatible with this part.

Table 7 CID Compatibilities

BIT	COMPATIBILITY	VALUE FOR PCD5013
CID ₀	Alphanumeric Decoder I	1 (true)
CID ₁	Roaming Decoder I	1 (true)
CID ₂	Numeric Decoder	0 (false)

REV: revision (Table 9). This identifies the manufacturing version of the PCD5013. For the PCD5013 the value is 8.

8.4.6 CHECKSUM PACKET (ID = 00H)

See Table 10 for checksum packet bit assignment.

CV: checksum value (24 bits), see Section 8.4.2.

Table 8 Configuration packet bit assignments

BYTE	BIT 7	BIT 6	BIT 5	BIT 4	BIT 3	BIT 2	BIT 1	BIT 0
3	0	0	0	0	0	0	0	1
2	0	DFC	0	0	0	IDE	OFD ₁	OFD ₀
1	0	0	0	0	0	PCE	SP ₁	SP ₀
0	SME	MOT	COD	MTE	LBP	ICO	0	0

FLEX™ roaming decoder II

PCD5013

Table 9 Part ID packet bit assignments

BYTE	BIT 7	BIT 6	BIT 5	BIT 4	BIT 3	BIT 2	BIT 1	BIT 0
3	1	1	1	1	1	1	1	1
2	MDL ₁	MDL ₀	CID ₁₃	CID ₁₂	CID ₁₁	CID ₁₀	CID ₉	CID ₈
1	CID ₇	CID ₆	CID ₅	CID ₄	CID ₃	CID ₂	CID ₁	CID ₀
0	REV ₇	REV ₆	REV ₅	REV ₄	REV ₃	REV ₂	REV ₁	REV ₀

Table 10 Checksum packet bit assignments

BYTE	BIT 7	BIT 6	BIT 5	BIT 4	BIT 3	BIT 2	BIT 1	BIT 0
3	0	0	0	0	0	0	0	0
2	CV ₂₃	CV ₂₂	CV ₂₁	CV ₂₀	CV ₁₉	CV ₁₈	CV ₁₇	CV ₁₆
1	CV ₁₅	CV ₁₄	CV ₁₃	CV ₁₂	CV ₁₁	CV ₁₀	CV ₉	CV ₈
0	CV ₇	CV ₆	CV ₅	CV ₄	CV ₃	CV ₂	CV ₁	CV ₀

FLEX™ roaming decoder II

PCD5013

8.4.7 CONTROL PACKET (ID = 02H)

The control packet defines a number of different control bits for the PCD5013.

FF: force frame 0 to 7 (Table 12). When set, each of these bits forces the PCD5013 to decode one of the FLEX™ frames 0 to 7 irrespective of the system collapse value (for details of collapse values see Section 8.6.2). For example, if the system collapse causes the PCD5013 to decode frames 0, 32, 64 and 96, setting FF₂ causes the PCD5013 to also decode FLEX™ frame 2. This may be used to acquire transmitted time information or channel attributes (e.g. Local ID). Value after reset = 0.

SPM: single phase mode (Table 12). When this bit is set, the PCD5013 decodes only one of the transmitted phases. When this bit is clear, the PCD5013 decodes all transmitted phases. This value is determined by the CAPCODE (Section 8.6). A change to this bit while the PCD5013 is on does not take effect until the next block 0 of a frame. Value after reset = 0.

PS: phase select (Tables 11 and 12). When the SPM bit is set, these bits define which phase the PCD5013 shall decode. This value is determined by the CAPCODE (Section 8.6). A change to these bits, while the PCD5013 is on, does not take effect until the next block 0 of a frame. Value after reset = 0.

Table 11 Phase selection (by PS bits)

PS ₁	PS ₀	DECODED PHASE (BASED ON FLEX™ DATA RATE)		
		1600 bits/s	3200 bits/s	6400 bits/s
0	0	A	A	A
0	1	A	A	B
1	0	A	C	C
1	1	A	C	D

Table 12 Control packet bit assignments

BYTE	BIT 7	BIT 6	BIT 5	BIT 4	BIT 3	BIT 2	BIT 1	BIT 0
3	0	0	0	0	0	0	1	0
2	FF ₇	FF ₆	FF ₅	FF ₄	FF ₃	FF ₂	FF ₁	FF ₀
1	0	SPM	PS ₁	PS ₀	0	0	0	0
0	0	SBI	0	MTC	0	0	EAE	ON

SBI: send block information words (BIW) 2 to 4 (Table 12). When this bit is set, BIWs with time and date information and BIWs received in error are sent to the host, (Section 8.7.9). Value after reset = 0.

MTC: minute timer clear (Table 12). Setting this bit causes the 1-minute timer to restart from 0 (Section 8.4.8).

ON: turn on decoder (Table 12). When this bit is set, the PCD5013 decodes FLEX™ signals. If this bit is cleared, signal processing stops. However, to assure proper operation, the PCD5013 requires that it be set into asynchronous mode when turned off. To achieve that the following sequence must be used:

1. Send control packet with ON bit clear (decoder off)
2. Send control packet with ON bit set (decoder on)
3. Send control packet with ON bit clear (decoder off).

Timing between these steps is specified below and is measured from the positive edge of the last clock of one packet to the positive edge of the last clock of the next packet.

- The minimum time between steps 1 and 2 is the greater of 2 ms or the programmed shut-down time. The programmed shut-down time is the sum of all of the times programmed in the used receiver shut-down settings packets.
- There is no maximum time between steps 1 and 2.
- The minimum time between steps 2 and 3 is 2 ms.
- The maximum time between steps 2 and 3 is the programmed warm-up time minus 2 ms. The programmed warm-up time is the sum of all the times programmed in the used receiver warm-up settings packets.

EAE: end of addresses enable. When this bit is set, the EA bit in the Status Packet is PCD5013 set immediately after the PCD5013 decodes the last address word in the frame if any of the enabled PCD5013 addresses was detected in the frame. When this bit is cleared, the EA bit is never set.

FLEX™ roaming decoder II

PCD5013

8.4.8 OPERATING THE 1-MINUTE TIMER

The PCD5013 provides a 1-minute timer which allows the host to implement a time-of-day function while maintaining low-power operation. The 1-minute timer is enabled using the MTE bit in the configuration packet (Section 8.4.4). When the 1-minute timer is enabled, a status packet is sent at 1-minute intervals with the MT bit set (Section 8.4.11). When the MTE bit is clear, the internal 1-minute timer stops counting. When the host sends a control packet with MTC bit set, the 1-minute timer restarts from 0. This allows accurate setting of a time-of-day function.

8.4.9 ROAMING CONTROL PACKET (ID = 05H)

The roaming control packet controls the features of the PCD5013 that allow implementation of a roaming pager.

IRS: ignore re-synchronization signal (Table 13). When this bit is set, the PCD5013 does not go asynchronous when detecting an Ar or Ar signal during searches for A-words. It merely reports that the re-synchronization signal was received by setting RSR to 1 in the Roaming Status packet. This allows the host to decide what to do when the paging device is synchronous to more than one channel and only one channel is sending the re-synchronization signal. It also prevents the PCD5013 from losing synchronization when it detects the re-synchronization signal while the paging device is checking an unknown channel. This bit is set and cleared by the host. Value after reset = 0.

NBC: network bit check (Table 13). Setting this bit enables reporting of the received network bit value (NBU and n) in the Roaming Status Packet. Setting this bit also makes the PCD5013 abandon a frame after the Frame Info word without synchronizing to the frame if the frame information word is uncorrectable or if the n bit in the frame information word is not set. If the PCD5013 is in synchronous mode when this occurs (probably due to synchronizing to a second channel), it maintains synchronization to the original channel.

If the PCD5013 is in asynchronous mode when this occurs, it stays in asynchronous mode and end the A-word search. This is done to avoid synchronizing to a non-roaming channel when searching for roaming channels. This bit is set and cleared by the host. Value after reset = 0.

MCM: manual collapse mode (Table 13). When this bit is set, the PCD5013 behaves as if the system collapse was 7. The PCD5013 does not apply the received system collapse to the AF bits. When this bit is set, the received system collapse is reported to the host via SCU and RSC in the Roaming Status Packet. This is so the host can modify the AF bits based on the system collapse of the channel. This bit is set and cleared by the host. Value after reset = 0.

IS1: invert EXTS1 (Table 13). Setting this bit inverts the expected polarity of the EXTS1 pin from the way it is configured by SP 1 in the Configuration Packet (e.g. if both IS1 and SP 1 are set, the polarity of the EXTS1 pin is untouched). This bit is intended to be changed when a change in a channel changes the polarity of the received signal. This bit is set and cleared by the host. This bit has the equivalent effect when using the internal demodulator. Value after reset = 0.

SDF: stop decoding frame (Table 13). Setting this bit causes the PCD5013 to stop decoding a frame without losing frame synchronization. This bit is set by the host, and cleared by the PCD5013 once it has been processed. The packet with the SDF bit set must be sent after receiving the status packet with EA bit set. It must be sent within 40 ms of the end of block in which the PCD5013 set the EA bit. Value after reset = 0.

RSP: receiver shutdown packet enable (Table 13). When this bit is set, a Receiver Shutdown Packet is sent whenever the receiver is shut down. The receiver shutdown packet informs the host that the receiver shutdown, and gives the time period before the PCD5013 automatically warms the receiver back up. Value after reset = 0.

Table 13 Roaming Control Packet bit assignments

BYTE	BIT 7	BIT 6	BIT 5	BIT 4	BIT 3	BIT 2	BIT 1	BIT 0
3	0	0	0	0	0	1	0	1
2	IRS	NBC	MCM	IS1	SDF	RSP	SNB	CND
1	RND	ABI	SAS	DAS	AF ₁₁	AF ₁₀	AF ₉	AF ₈
0	0	0	MFC ₁	MFC ₀	0	0	MCO ₁	MCO ₀

FLEX™ roaming decoder II

PCD5013

SND: start noise detect (Table 13). Setting this bit while the PCD5013 is battery saving causes it to warm-up the receiver, run a noise detect, and report the result of the noise detect via NDR in the Roaming Status Packet. This bit is set by the host, and cleared by the PCD5013 once it has been processed. If the time comes for the PCD5013 to warm-up automatically or the SAS bit is set while an SND is being processed, the noise detect is abandoned and the abandoned noise detect result (NDR = 01) is sent in the Roaming Status Packet. Value after reset = 0.

CND: continuous noise detect (Table 13). Setting this bit causes the PCD5013 to do continuous noise detects during the decoded block data of a frame. The results of the noise detect is only reported if noise is detected (NDR = 11). Only one noise detected result (NDR = 11) is sent per block. If the PCD5013 has not completed a noise detect when it shuts down for the frame, that noise detect is abandoned, but no abandon result (NDR = 01) is sent. This bit is set and cleared by the host. Value after reset = 0.

RND: report noise detects (Table 13). Setting this bit causes the PCD5013 to report the results of the noise detects it does under normal asynchronous operation (when first turned on and when asynchronous). The results of the noise detect is reported via NDR in the Roaming Status Packet. This bit is set and cleared by the host. Value after reset = 0.

ABI: all block information words (Table 13). When this bit is set, the PCD5013 sends all received Block Information words 2-4 to the host. Note: Setting the SBI bit in the Control Packet only enables errored and real-time clock related block info words. Value after reset = 0.

SAS: start A-word search (Table 13). Setting this bit while in asynchronous battery save mode causes the PCD5013 to warm-up the receiver and run an A-word search. If, during the A-word search, the PCD5013 finds sufficient FLEX™ signal, it enters synchronous mode and start decoding the frame. If the A-word search times-out without finding sufficient FLEX™ signal, it enters a battery save mode and continue doing periodic noise detects.

The time-out for the A-word searches is controlled by the AST bits in the Timing Control Packet and the MOT bit in the Configuration Packet. The A-word search takes priority over noise detects. Therefore, if the PCD5013 is performing an A-word search and the time comes to do automatic noise detect, the noise detect is not performed. This bit is set by the host, and cleared by the PCD5013 once it has been acted on. Value after reset = 0.

MFC: missed frame control (Tables 14 and 13). These bits control the frames for which missing frame data (MS1, MFI, MS2, MBI, and MAW) is reported in the Roaming Status Packet. Value after reset = 0.

Table 14 Missed Frame Control (MFC bits)

MFC ₁	MFC ₀	MISSING FRAME DATA REPORTED
0	0	never
0	1	only during frames 0 through 3
1	0	only during frames 0 through 7
1	1	always

MCO: maximum carry on (Table 13). The value of these bits sets the maximum carry on that the PCD5013 follows. For example, if the PCD5013 receives a carry on of 3 over the air and MCO is set to 1, the PCD5013 only carries on for one frame. Value after reset = 3.

DAS: disable A-word search (Table 13). When this bit is set, an A-word search does not automatically occur after a noise detect in asynchronous mode finds FLEX™ signal. This includes automatic noise detects and noise detects initiated by the host by setting SND. The PCD5013 shuts down the receiver after the noise detect completes regardless of the result. When this bit is cleared, A-word searches occur after a noise detect finds signal in asynchronous mode. Value after reset = 0.

FLEX™ roaming decoder II

PCD5013

8.4.10 TIMING CONTROL PACKET (ID = 06H)

The timing control packet gives the host control of the timing used when the PCD5013 is in asynchronous mode. The packet ID for the timing control packet is 6.

AST: A-word search time (Table 15). The value of these bits sets the A-word search time for all asynchronous A-word searches in units of 80 ms (e.g. value of 1 is 80 ms, a value of 2 is 160 ms, etc.). If the value is 0, the PCD5013 defaults to the 1-minute (MOT = 1) or 4-minute (MOT = 0) A-word search time controlled by the MOT bit in the configuration packet. Value after reset = 0.

ABT: asynchronous battery-save time (Table 15). The value of these bits sets the battery save time (time from the beginning of one automatic noise detect to the beginning of the next automatic noise detect) in asynchronous mode in units of 80 ms (e.g. value of 1 is 80 ms, a value of 2 is 160 ms, etc.) If the value is 0, the battery save time is set to the default value of 1.5 seconds. The minimum allowed ABT is 320 ms, therefore values of 1, 2, 3, and 4 are invalid. Value after reset = 0.

8.4.11 STATUS PACKET (ID = 7FH)

The status packet contains various types of information that the host may require and is sent to the host:

- Whenever the PCD5013 is polled and has no other data to send
- On events for which the PCD5013 is configured to send the status packet (Sections 8.4.4 and 8.4.7). In this case, the PCD5013 prompts the host to read a status packet for the following conditions:
 - SMU bit in the status packet and the SME bit in the configuration packet are set
 - MT bit in the status packet and the MTE bit in the configuration packet are set
 - EOF bit in the status packet is set

- LBU bit in the status packet is set
- EA bit in the status packet is set
- BOE bit in the status packet is set.

FIV: frame information valid (Table 16). This bit is set, when a valid frame information word has been received since becoming synchronous to the system and the f and c fields contain valid values. If this bit is clear, no valid frame information words have been received since the PCD5013 became synchronous to the system. This value changes from 0 to 1 at the end of block 0 (Fig.18) of the frame in which the first frame information word was properly received. It is cleared when the PCD5013 goes into asynchronous mode (see SM bit below). This bit is initialized to 0 when the PCD5013 is reset and when the PCD5013 is turned off by clearing the ON bit in the control packet.

f: current frame number (Table 16). This value is updated every frame regardless of whether the PCD5013 needs to decode the frame. This value changes to its proper value for a frame at the end of block 0 of the frame. The value of these bits is not guaranteed when FIV is 0.

c: current system cycle number (Table 16). This value is updated every frame regardless of whether the PCD5013 needs to decode the frame. This value changes to its proper value for a frame at the end of block 0 of the frame. The value of these bits is not guaranteed when FIV is 0.

SM: synchronous mode (Table 16). This bit is set, when the PCD5013 is synchronous to the system. The PCD5013 sets this bit when the first synchronization words are received. It clears this bit when the PCD5013 has not properly received both synchronization words in any frame for 8, 16, or 32 minutes (depending on the number of assigned frames and the system collapse). This bit is initialized to 0 when the PCD5013 is reset and when it is turned off by clearing the ON bit in the control packet.

Table 15 Timing Control Packet bit assignments

BYTE	BIT 7	BIT 6	BIT 5	BIT 4	BIT 3	BIT 2	BIT 1	BIT 0
3	0	0	1	0	0	f ₂	f ₁	f ₀
2	0	0	0	0	0	0	0	0
1	AST ₇	AST ₆	AST ₅	AST ₄	AST ₃	AST ₂	AST ₁	AST ₀
0	ABT ₇	ABT ₆	ABT ₅	ABT ₄	ABT ₃	ABT ₂	ABT ₁	ABT ₀

FLEX™ roaming decoder II

PCD5013

SMU: synchronous mode update (Table 16). This bit is set if the SM bit has been updated in this packet. After the PCD5013 has been turned on, this bit is set when the first synchronization words are found (SM changes to 1) or when the first synchronization search period (meaning the receiver is active during this time) expires (SM stays 0), after the PCD5013 is turned on. The latter condition gives the host the option of assuming the paging device is in range when it is turned on, and displaying out-of-range only after the initial search period expires. After the initial synchronous mode update, the SMU bit is set whenever the PCD5013 switches from/to synchronous mode. The bit is cleared when read. Changes in the SM bit due to turning off the PCD5013 does not set the SMU bit. This bit is initialized to 0 when the PCD5013 is reset.

LB: low battery (Table 16). Set to the value last read from the LOBAT pin. The host controls when the LOBAT pin is read via the receiver control packets. This bit is initialized to 0 at reset. It is also initialized to the inverse of the LBP bit in the configuration packet, when the PCD5013 is turned on, by setting the ON bit in the control packet.

LBU: low battery update (Table 16). This bit is set if the value on two consecutive reads of the LOBAT pin yielded different results. The bit is cleared when read. The host controls when the LOBAT pin is read via the receiver control packets. Changes in the LB bit due to turning on the PCD5013 do not cause the LBU bit to be set. This bit is initialized to 0 when the PCD5013 is reset.

EOF: end of frame (Table 16). Set when the PCD5013 is in all frame mode (AFM) (Section 8.8.4), and the end of the frame has been reached. The PCD5013 is in the AFM if the AFM enable counter is non-zero, if any temporary address enabled (TAE) counter is non-zero (Section 8.8.4) or if the FAF bit in the AFM packet is set. The bit is cleared when read and initialized to 0 when the PCD5013 is reset.

MT: minute time-out (Table 16). Set if one minute has elapsed. The bit is cleared when read. This bit is initialized to 0 when the PCD5013 is reset.

BOE: buffer overflow error (Table 16). Set when information has been lost owing to slow host response time. When the PCD5013 detects that its SPI transmit buffer has overflowed, it clears the transmit buffer, turns off decoding by clearing the ON bit in the control packet, and sets this bit. The bit is cleared when read. This bit is initialized to 0 when the PCD5013 is reset.

EA: end of addresses (Table 16). If EAE of the control packet is set and an address is detected in a frame, EA is set after the PCD5013 processes the last address in the frame. Since data packets take priority over the status packet, the status packet with the EA bit set is guaranteed to come after all address packets for the frame. Cleared when read. This bit is initialized to 0 when the PCD5013 is reset.

x: unused bits (Table 16). The value of these bits is not guaranteed.

8.4.12 RECEIVER SHUTDOWN PACKET (ID = 7EH)

The Receiver Shutdown Packet is sent in both synchronous and asynchronous mode. It is designed to indicate to the host that the receiver is turned off and how much time there is until the PCD5013 automatically turns it back on. This enables the host to perform other tasks such as monitoring other pager channels.

FNV: frame number valid (Table 17). This bit is set if the last decoded frame information word was correctable and the frame number was the expected value. When in asynchronous mode, this value is 0.

CF: current frame (Table 17). When in synchronous mode, this is the current frame number. This value is latched on the negative edge of the READY line when this packet is sent to the host. The value of this field is valid only if the PCD5013 is in synchronous mode and the FIV bit in the status packet is set. When in asynchronous mode, this value is 0.

TNF: time to next frame (Table 17). When in synchronous mode TNF indicates the time to the start of the A-word check if the PCD5013 were to warm-up for the next frame. When in asynchronous mode TNF indicates the time to the start of the next automatic noise detect. See section 8.8.9 for an explanation on how to use this value. This value is latched on the negative edge of the READY line when this packet is sent to the host.

FCO: frame carried on (Table 17). Set if the PCD5013 is decoding the next frame due to the reception of a non-zero carry-on value in the current or a previous frame. When in asynchronous mode, this value is 0.

NAF: next assigned frame (Table 17). This is the frame number of the next frame the PCD5013 was scheduled to decode when the receiver shut down. The value of this field is valid only if the PCD5013 is in synchronous mode and the FIV bit in the status packet is set. When in asynchronous mode this value is 0.

FLEX™ roaming decoder II

PCD5013

Table 16 Status packet bit assignments

BYTE	BIT 7	BIT 6	BIT 5	BIT 4	BIT 3	BIT 2	BIT 1	BIT 0
3	0	1	1	1	1	1	1	1
2	FIV	f ₆	f ₅	f ₄	f ₃	f ₂	f ₁	f ₀
1	SM	LB	x	x	c ₃	c ₂	c ₁	c ₀
0	SMU	LBU	x	MT	x	EOF	EA	BOE

Table 17 Receiver Shutdown Packet bit assignments

BYTE	BIT 7	BIT 6	BIT 5	BIT 4	BIT 3	BIT 2	BIT 1	BIT 0
3	0	1	1	1	1	1	1	0
2	FNV	CF ₆	CF ₅	CF ₄	CF ₃	CF ₂	CF ₁	CF ₀
1	TNF ₇	TNF ₆	TNF ₅	TNF ₄	TNF ₃	TNF ₂	TNF ₁	TNF ₀
0	FCO	NAF ₆	NAF ₅	NAF ₄	NAF ₃	NAF ₂	NAF ₁	NAF ₀

FLEX™ roaming decoder II

PCD5013

8.4.13 ROAMING STATUS PACKET (ID = 60H)

The PCD5013 automatically prompts the host to read a Roaming Status Packet if RSR, MS1, MFI, MS2, MBI, MAW, NBU, NDR 1, NDR 0, or SCU is set.

RSR: re-synchronization signal received (Table 19). Set when the PCD5013 detected a re-synchronization signal (A_r/\bar{A}_r) and the host configured the PCD5013 to ignore it via the IRS bit in the roaming control packet. This bit is cleared when read.

MS1: missed synchronization 1 (Table 19). Set when the PCD5013 fails to detect the first synchronization pattern (A/\bar{A}) of a FLEX™ frame and the PCD5013 was configured to report missed frame information via the MFC bit in the roaming control packet. This bit is cleared when read.

MFI: missed frame information word (Table 19). Set when the frame information word is received with an uncorrectable number of errors and the PCD5013 was configured to report missed frame information via the MFC bit in the roaming control packet. This bit is cleared when read.

MS2: missed synchronization 2 (Table 19). Set when the PCD5013 failed to detect the second synchronization pattern (C/\bar{C}) of a frame and PCD5013 was configured to report missed frame information via the MFC bit in the roaming control packet. This bit is cleared when read.

MBI: missed block information word 1 (Table 19). Set when at least one of the block information word ones is received with an uncorrectable number of errors and PCD5013 was configured to report missed frame information via the MFC bit in the roaming control packet. This bit is set no more than once per frame regardless of the number of missed block information word 1's in the frame. This bit is cleared when read.

MAW: missed address word (Table 19). Set when any address words in the address field is received with an uncorrectable number of errors and PCD5013 was configured to report missed frame information via the MFC bit in the roaming control packet. This bit is set no more than once per frame regardless of the number of missed address words in the frame. This bit is cleared when read.

NBU: network bit update (Table 19). Set when the NBC bit in the roaming control packet is set and a frame information word is received with a correctable number of errors. This bit is not set when the frame information word is not received due to missing the first synchronization pattern (A/\bar{A}). This bit is cleared when read.

n: network bit value (Table 19). When NBU is set, this is the value of the n bit in the last received frame information word.

NDR: noise detect result (Tables 18 and 19). These bits indicate the result of a noise detect. The results of noise detects initiated by setting the SND bit in the roaming control packet is always reported. The results of the automatic noise detects performed in asynchronous mode is only reported if the RND bit is set in the roaming control packet. When continuous noise detects during block data are enabled by setting the CND bit in the roaming control packet, only the 'No FLEX™ signal detected' result is reported. These bits are cleared when read.

Table 18 Noise Detect Result (NDR bits)

NDR ₁	NDR ₀	NOISE DETECT RESULT
0	0	No Information
0	1	Noise Detect was abandoned
1	0	FLEX™ signal detected
1	1	FLEX™ signal not detected

SCU: system collapse update (Table 19). Set when the PCD5013 is configured for manual collapse mode by setting the MCM bit in the roaming control packet and the system collapse of a frame is received. This bit is set no more than once per frame regardless of the number of phases in the frame. This bit is not set in frames in which no block information word 1's is received properly. This bit is cleared when read.

RSC: received system collapse (Table 19). When SCU is set, this value represents the system collapse value that was received in the frame.

Table 19 Roaming Status packet bit assignments

BYTE	BIT 7	BIT 6	BIT 5	BIT 4	BIT 3	BIT 2	BIT 1	BIT 0
3	0	1	1	0	0	0	1	0
2	RSR	MS1	MFI	MS2	MBI	MAW	NBU	n
1	x	x	x	x	x	x	NDR ₁	NDR ₀
0	x	x	x	x	SCU	RSC ₂	RSC ₁	RSC ₀

FLEX™ roaming decoder II

PCD5013

8.5 Receiver control interface**8.5.1 GENERAL**

The PCD5013 has 8 programmable receiver control lines, S0 to S7. The host can program via SPI packets what setting is applied to the receiver control lines, the duration of warm-up and shut-down stages and the polling of the LOBAT pin. This programmability allows the PCD5013 to interface with many off-the-shelf receiver ICs. Note that these packets are ignored when sent while decoding is enabled (ON bit is set in the control packet).

8.5.2 LOW BATTERY DETECTION

The PCD5013 can be configured to poll the LOBAT pin at the end of every receiver control setting. This check can be enabled or disabled for each receiver control setting. If the poll is enabled for a setting, the pin is read just before the PCD5013 activates the next setting on the receiver control lines. The PCD5013 sends a status packet whenever the value differs from the previous time that the LOBAT pin was polled.

8.5.3 RECEIVER SETTINGS AT RESET

The receiver control ports are 3-state outputs which are set to high impedance when the PCD5013 is reset, until the corresponding FRS bit in the receiver line control packet is set or the PCD5013 is turned on for the first time after a reset (by setting the ON bit in the control packet).

This allows the designer to force the receiver control lines to the receiver off setting with external pull-up or pull-down resistors before the host can configure these settings in the PCD5013.

8.5.4 RECEIVER OFF STATE (ID = 10H)

The receiver off state is configured by the receiver off setting packet (Table 20), which defines the settings to be applied when the PCD5013 decides to switch the receiver off.

LBC: low battery check (Table 20). If this bit is set, the PCD5013 checks the status of the LOBAT port just before leaving the receiver off state. Value after reset = 0.

CLS: control line setting (Table 20). This is the value to be output on the receiver control lines for the receiver off state. Value after reset = 0.

ST: step time (Table 20). This sets the duration of the warm-up off time. The setting is in steps of 625 μ s. Valid values are 625 μ s (ST = 01H) to 159.375 ms (ST = FFH). Value after reset = 01H.

Table 20 Receiver off setting packet bit assignments

BYTE	BIT 7	BIT 6	BIT 5	BIT 4	BIT 3	BIT 2	BIT 1	BIT 0
3	0	0	0	1	0	0	0	0
2	0	0	0	0	LBC	0	0	0
1	CLS ₇	CLS ₆	CLS ₅	CLS ₄	CLS ₃	CLS ₂	CLS ₁	CLS ₀
0	ST ₇	ST ₆	ST ₅	ST ₄	ST ₃	ST ₂	ST ₁	ST ₀

FLEX™ roaming decoder II

PCD5013

8.5.5 RECEIVER WARM-UP SEQUENCES

8.5.5.1 Normal receiver warm-up sequence

The PCD5013 allows for up to 6 steps associated with warming-up the receiver. When the PCD5013 turns on the receiver while decoding, it starts the warm-up sequence 160 ms before it requires valid signals at the EXTS1 and EXTS0 input pins.

1. The PCD5013 leaves the receiver control lines in the off state for the programmed warm-up off time.
2. The first warm-up setting, if enabled, is applied to the receiver control lines for the amount of time programmed for that setting.
3. Subsequent warm-up settings are applied to the receiver control lines for their corresponding time until a disabled warm-up setting is found.
4. At the end of the last used warm-up setting, the 1600 symbols per second (sps) sync setting or the 3200 sps sync setting is applied to the receiver control lines depending on the PCD5013 current state.

The PCD5013 must be configured such that the sum of all of the used warm-up times and the warm-up off time does not exceed 160 ms. If it exceeds 160 ms, the PCD5013 executes the receiver shut-down sequence 160 ms after the start of the warm-up off time. If the sum of all of the used warm-up times and the warm-up off times is less than

160 ms, the receiver remains in the 1600 sps sync setting or the 3200 sps sync setting from the end of the last used warm-up setting until valid signals are expected (160 ms after the start of the warm-up off time). Figure 12 shows the receiver warm-up sequence while decoding, when all warm-up settings are enabled.

8.5.5.2 Host initiated receiver warm-up sequence

A host can initiate a receiver warm-up sequence is by one of the following actions:

- Turning on the PCD5013 by setting the ON bit in the control packet
- Requesting a noise detect by setting the SND bit in the roaming control packet
- Requesting an A-word search by setting the SAS bit in the roaming control packet.

A host initiated receiver warm-up sequence (see Fig.13) differs from the sequence described in Section 8.5.5.1. No receiver warm-up off time is applied, instead the PCD5013 immediately begins to apply the receiver warm-up settings. Once a disabled warm-up setting is found, the “3200 sps sync setting” (for ON and SND warm-ups) or the “1600 sps sync setting” (for SAS warm-ups) is applied to the receiver control lines. The decoder then expects valid signals after the 3200 sps sync warm-up time.

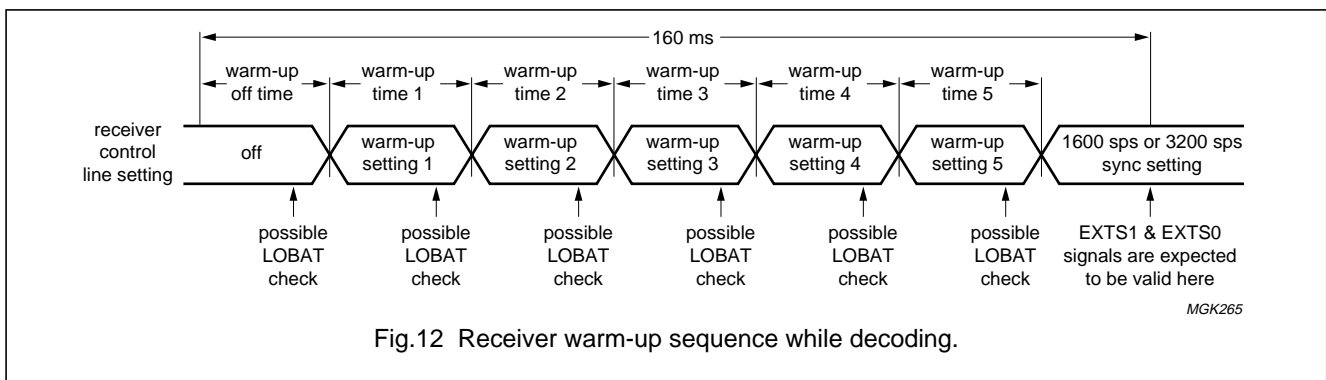


Fig.12 Receiver warm-up sequence while decoding.

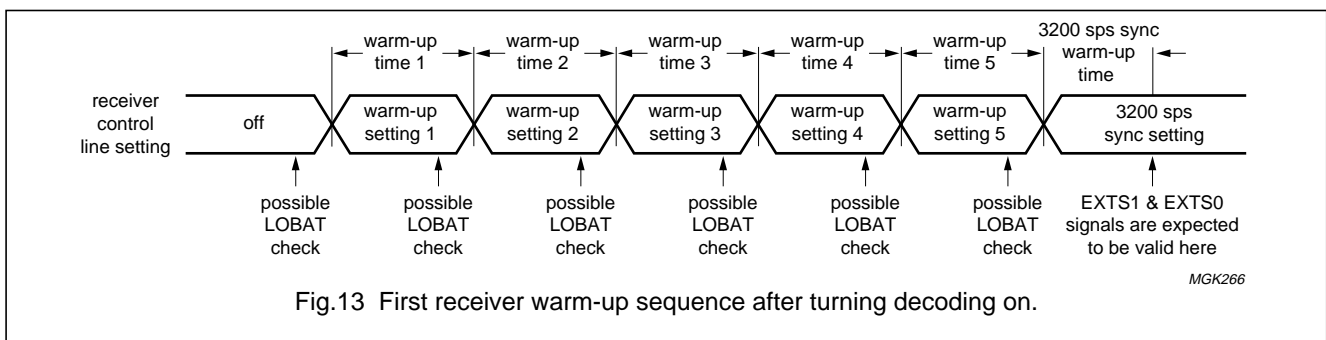


Fig.13 First receiver warm-up sequence after turning decoding on.

FLEX™ roaming decoder II

PCD5013

8.5.5.3 Receiver warm-up setting packets
(ID = 11H to 15H)

CLS: control line setting (Table 22). This is the value to be output on the receiver control lines (S0 to S7) for this receiver warm-up state. Value after reset = 0.

SE: step enable (Table 22). The receiver setting is enabled when the bit is set. If the bit is cleared then that step in the receiver warm-up sequence is disabled and all following steps are ignored. Value after reset = 0.

LBC: low battery check (Table 22). If this bit is set, the PCD5013 checks the status of the LOBAT port just before leaving this receiver warm-up state. Value after reset = 0.

ST: step time (Table 22). This sets the duration time for receiver warm-up until the next receiver state. The setting is in 625 μs steps and valid values are:

625 μs (ST = 01H) to 79.375 ms (ST = 7FH).

Value after reset = 01H.

s: setting number, see Tables 21 and 22 for the s names and values and location in the receiver warm-up packet.

Table 21 Receiver warm-up setting numbers

S ₃	S ₂	S ₁	S ₀	SETTING NAME
0	0	0	1	warm-up 1
0	0	1	0	warm-up 2
0	0	1	1	warm-up 3
0	1	0	0	warm-up 4
0	1	0	1	warm-up 5

Table 22 Receiver warm-up setting packet bit assignments

BYTE	BIT 7	BIT 6	BIT 5	BIT 4	BIT 3	BIT 2	BIT 1	BIT 0
3	0	0	0	1	S ₃	S ₂	S ₁	S ₀
2	SE	0	0	0	LBC	0	0	0
1	CLS ₇	CLS ₆	CLS ₅	CLS ₄	CLS ₃	CLS ₂	CLS ₁	CLS ₀
0	0	ST ₆	ST ₅	ST ₄	ST ₃	ST ₂	ST ₁	ST ₀

FLEX™ roaming decoder II

PCD5013

8.5.6 ACTIVE RECEIVER STATES

8.5.6.1 General

In addition to the warm-up and shut-down states, the PCD5013 has four active receiver states. When these settings are applied to the receiver control lines, the PCD5013 is decoding the EXTS1 and EXTS0 input signals. The timing of these signals and their duration depends on the FLEX™ data stream. Because of this, there is no time setting associated with these settings (with the exception of the 3200 sps sync setting).

The four settings are as follows:

1600 sps sync setting: applied when the PCD5013 searches for a 1600 sps signal.

3200 sps sync setting: applied when the PCD5013 searches for a 3200 sps signal.

1600 sps data setting: applied after the PCD5013 has found the C or \bar{C} sync word in the sync 2 section of a 1600 sps frame.

3200 sps data setting: applied after the PCD5013 has found the C or \bar{C} sync word in the sync 2 section of a 3200 sps frame.

Figure 14 shows some examples of how these settings are used in the PCD5013.

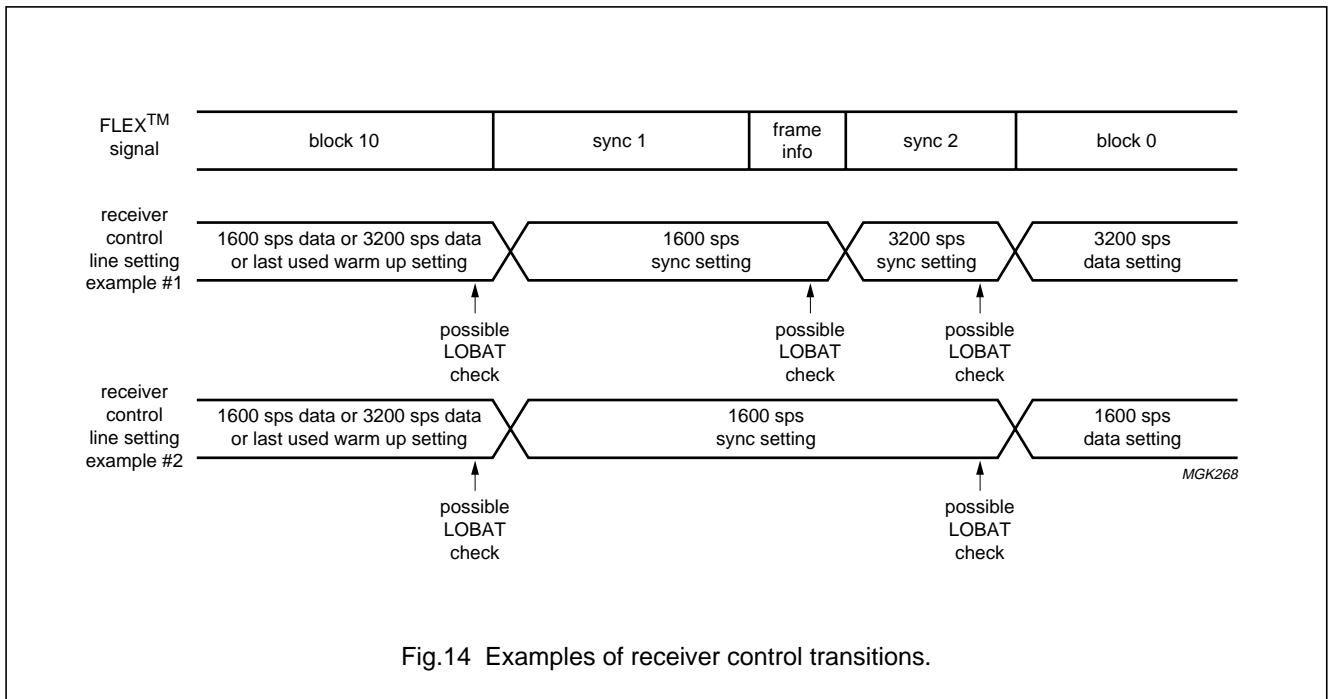


Fig.14 Examples of receiver control transitions.

FLEX™ roaming decoder II

PCD5013

8.5.6.2 Receiver on setting packets (ID = 16H to 19H)

LBC: low battery check (Tables 24 and 25). If this bit is set, the PCD5013 checks the status of the LOBAT port just before leaving this receiver sync setting state. Value after reset = 0.

CLS: control line setting (Tables 24 and 25). This is the value to be output on the receiver control lines for this receiver sync setting state. Value after reset = 0.

ST: step time (Table 24). This sets the waiting time, before expecting good signals at EXTS1 and EXTS0 at the end of the warm-up sequence, after turning decoding on. The setting is in steps of 625 μs. Valid values are: 625 μs (ST = 01H) to 79.375 ms (ST = 7FH). Value after reset = 01H.

s: setting number, see Tables 23 and 25 for the s names and values and location in the receiver on setting packet.

Table 23 s names and values

s ₃	s ₂	s ₁	s ₀	SETTING NAME
0	1	1	1	1600 sps sync
1	0	0	0	3200 sps data
1	0	0	1	1600 sps data

8.5.7 FORCING RECEIVER LINES (ID = 0FH)

This packet (Table 26) enables host control over the receiver control line (S0 to S7) settings in all modes except reset. In reset, the receiver control lines are high impedance.

FRS: force receiver setting (Table 26). Setting a bit causes the associated CLS bit in this packet to override the internal receiver control settings on the corresponding receiver control line. Clearing a bit returns control of the corresponding receiver control line to the PCD5013. Value after reset = 0.

CLS: control line setting (Table 26). This bit setting is applied to the corresponding receiver control line if the associated FRS bit is set in this packet. Value after reset = 0.

Table 24 3200 sps sync setting packet bit assignments

BYTE	BIT 7	BIT 6	BIT 5	BIT 4	BIT 3	BIT 2	BIT 1	BIT 0
3	0	0	0	1	0	1	1	0
2	0	0	0	0	LBC	0	0	0
1	CLS ₇	CLS ₆	CLS ₅	CLS ₄	CLS ₃	CLS ₂	CLS ₁	CLS ₀
0	0	ST ₆	ST ₅	ST ₄	ST ₃	ST ₂	ST ₁	ST ₀

Table 25 Receiver on setting packet bit assignments

BYTE	BIT 7	BIT 6	BIT 5	BIT 4	BIT 3	BIT 2	BIT 1	BIT 0
3	0	0	0	1	s ₃	s ₂	s ₁	s ₀
2	0	0	0	0	LBC	0	0	0
1	CLS ₇	CLS ₆	CLS ₅	CLS ₄	CLS ₃	CLS ₂	CLS ₁	CLS ₀
0	0	0	0	0	0	0	0	0

Table 26 Receiver line control packet bit assignments

BYTE	BIT 7	BIT 6	BIT 5	BIT 4	BIT 3	BIT 2	BIT 1	BIT 0
3	0	0	0	0	1	1	1	1
2	0	0	0	0	0	0	0	0
1	FRS ₇	FRS ₆	FRS ₅	FRS ₄	FRS ₃	FRS ₂	FRS ₁	FRS ₀
0	CLS ₇	CLS ₆	CLS ₅	CLS ₄	CLS ₃	CLS ₂	CLS ₁	CLS ₀

FLEX™ roaming decoder II

PCD5013

8.5.8 RECEIVER SHUT-DOWN SEQUENCE

The PCD5013 allows up to 3 steps associated with shutting down the receiver. When the PCD5013 decides to turn off the receiver, the first shut-down setting, if enabled, is applied to the receiver control lines for the corresponding shut-down time. At the end of the last used shut-down time, the receiver off setting is applied to the receiver control lines. If the first shut-down setting is not enabled, the PCD5013 switches directly from the receiver on to the receiver off setting.

Figure 15 shows the receiver shut-down sequence when all shut-down settings are enabled. If the receiver is on or being warmed up when the decoder is turned off (by clearing the ON bit in the control packet), the PCD5013 immediately executes the receiver shut-down sequence. If the PCD5013 is executing the shut-down sequence when turned on (with the ON bit in the control packet set) the PCD5013 completes the shut-down sequence before starting the warm-up sequence.

8.5.8.1 Receiver shut-down setting packets (ID = 1AH to 1BH)

SE: step enable (Table 28). The receiver setting is enabled when the bit is set. If the bit is cleared then that step in the receiver shut-down sequence is disabled and all following steps are ignored. Value after reset = 0.

LBC: low battery check (Table 28). If this bit is set, the PCD5013 checks the status of the LOBAT port just before leaving this receiver shut-down state. Value after reset = 0.

CLS: control line setting (Table 28). This is the value to be output on the receiver control lines (S0 to S7) for this receiver shut-down state. Value after reset = 0.

ST: step time (Table 28). This sets the duration time for receiver shut-down, until the next receiver state. The setting is in steps of 625 μs. Valid values are 625 μs (ST = 01H) to 39.375 ms (ST = 3FH). Value after reset = 01H.

s: setting number, see Tables 27 and 28 for the s names and values and location in the receiver shut-down packet.

Table 27 s names and values

s	SETTING NAME
0	shut-down 1
1	shut-down 2

Table 28 Receiver shut-down stages

BYTE	BIT 7	BIT 6	BIT 5	BIT 4	BIT 3	BIT 2	BIT 1	BIT 0
3	0	0	0	1	1	0	1	s
2	SE	0	0	0	LBC	0	0	0
1	CLS ₇	CLS ₆	CLS ₅	CLS ₄	CLS ₃	CLS ₂	CLS ₁	CLS ₀
0	0	0	ST ₅	ST ₄	ST ₃	ST ₂	ST ₁	ST ₀

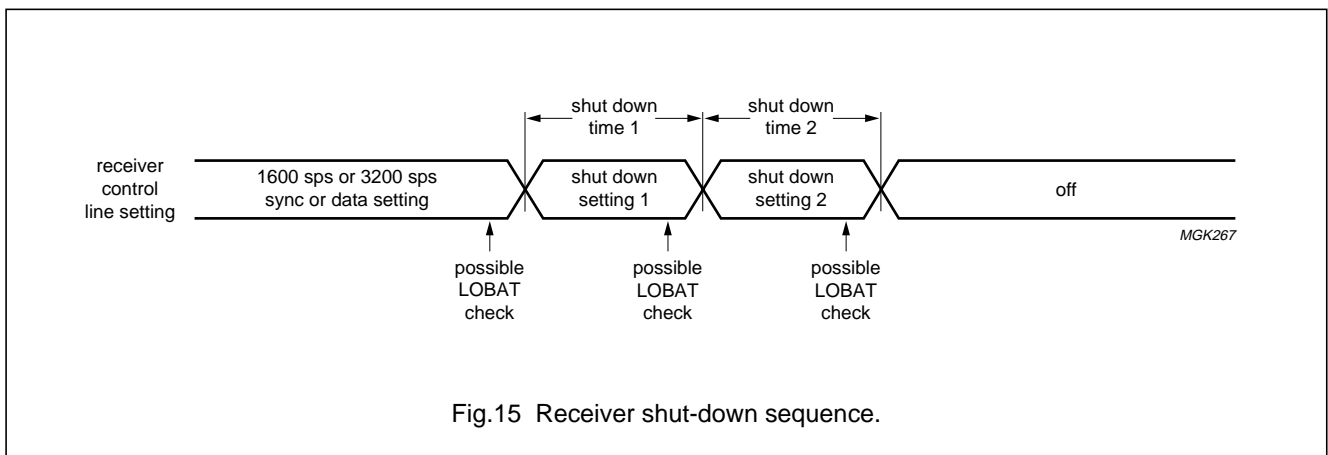


Fig.15 Receiver shut-down sequence.

FLEX™ roaming decoder II

PCD5013

8.6 Configuration of the FLEX™ CAPCODE

8.6.1 GENERAL

A CAPCODE specifies a decoder address, the collapse value of the address and whether single-phase, any-phase or all-phase address. The PCD5013 supports single-phase and any-phase operation. The FLEX™ protocol provides a standard mechanism to derive phase and frame in which an address should be transmitted. If this mechanism is not used, a CAPCODE also specifies the phase and frame assigned to the address.

When the FLEX™ standard pager collapse value of 4 (battery cycle of 16 frames) is used, the pager collapse field can be omitted.

The collapse value is a number between 0 and 7 and defines how often the decoding device looks for messages on the FLEX™ channel. For a given collapse value b , the decoding device looks in every 2^b frames. Thus an address with an assigned base frame of 3 and a collapse value of 5 typically looks for messages in frame 3 and every 32 frames thereafter (i.e. frames 3, 35, 67 and 99).

8.6.2 CAPCODE FORMAT

The FLEX™ CAPCODE consist of a series of decimal and alphabetic fields, see Fig.16 for the field definitions.

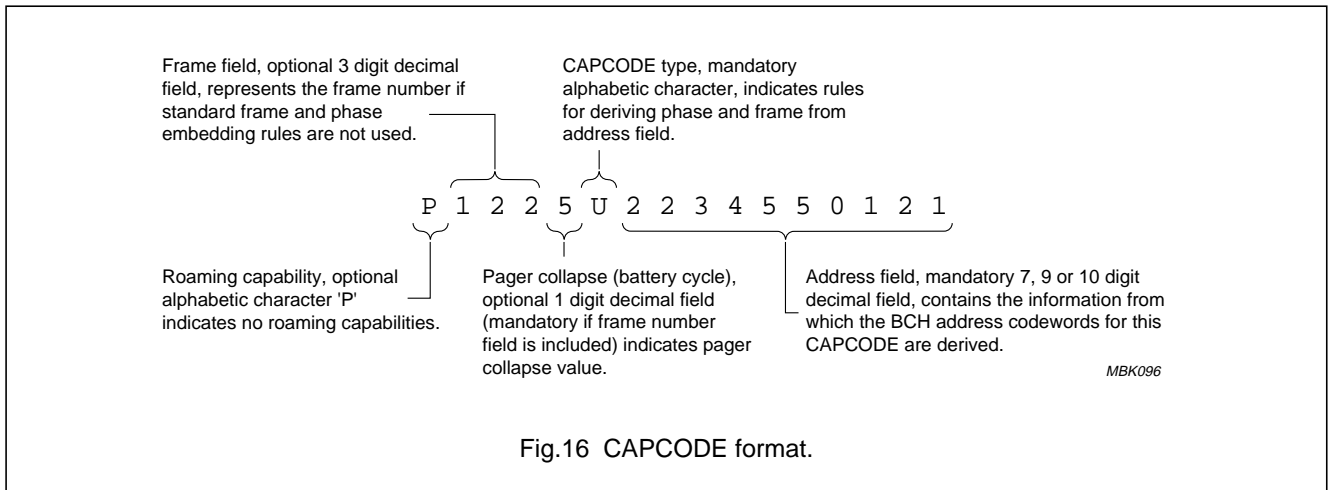


Fig.16 CAPCODE format.

FLEX™ roaming decoder II

PCD5013

8.6.3 CAPCODE RANGES

A CAPCODE represents user addresses ranging from 1 to 5370810366. A short CAPCODE can have address values below 2031615 and are represented in the data stream by a single address codeword. Some short addresses have been reserved for special purposes: information service addresses, network addresses, temporary (group) addresses and operator messaging addresses.

A long CAPCODE represents addresses situated above 2101248 subdivided into categories (uncoordinated, global, country) to allow different allocation schemes to coexist.

Table 29 defines the address usage assignment. All addresses not listed in this table are not defined and reserved for future use.

Table 29 CAPCODE assignment table

CAPCODE ADDRESS VALUE		DESCRIPTION
from	to	
0000000000		illegal
000000001	0001933312	short addresses
0001933313	0001998848	illegal
0001998849	0002009087	reserved for future use
0002009088	0002025471	Information service addresses
0002025472	0002029567	network addresses
0002029568	0002029583	temporary addresses
0002029584	0002029599	operator messaging addresses
0002029600	0002031614	reserved for future use
0002031615	0002101248	invalid, not used
0002101249	0102101250	long address set 1-2 uncoordinated
0102101251	0402101250	long address set 1-2 country; note 1
0402101251	1075843072	long address set 1-2 global; note 2
1075843073	2149584896	long address set 1-3 global; note 2
2149584897	3223326720	long address set 1-4 global; note 2
3223326721	3923326750	long address set 2-3 country; note 1
3923326751	4280000000	long address set 2-3 reserved
4280000001	4285000000	long address set 2-3 information service, global; notes 2 and 3
4285000001	4290000000	long address set 2-3 information service, country; notes 1 and 3
4290000001	4291000000	long address set 2-3 information service, world-wide; notes 3 and 4
4291000001	4297068542	reserved for future use

Notes

1. Country: the addresses are coordinated within each country and with countries along borders.
2. Global: address is coordinated to be unique world-wide.
3. Information service: currently, the rules governing the use of these addresses are not defined.
4. World-wide: 1000 addresses are assigned to each country for world-wide use.

FLEX™ roaming decoder II

PCD5013

8.6.4 ADDRESS CALCULATION

Address codeword values generally do not coincide with (part of) the user address as specified in the CAPCODE. To find the address codewords corresponding to a user address a conversion has to be done (Table 31). The type of conversion depends on the CAPCODE range in which the user address is located. Note that addresses are transmitted LSB first (differently to POCSAG).

Short addresses, are transmitted in a single address codeword where as long addresses are transmitted in two consecutive address codewords. The first codeword of a long address contains the lower part of the address, the second codeword the upper part. By combining two long address codewords from different banks 6 long address ranges are created: 1 to 2, 1 to 3, 1 to 4, 2 to 3, 2 to 4 and 3 to 4. Ranges 2 to 4 and 3 to 4 are as yet undefined and reserved.

Table 31 describes how to calculate the 21-bit address codeword which is transmitted over the air.

Table 30 Address word range definitions

TYPE	HEX VALUE
Idle word (illegal address)	000000
Long address 1	000001 to 008000
Short address	008001 to 1E0000
Long address 3	1E0001 to 1E8000
Long address 4	1E8001 to 1F0000
Short address (reserved)	1F0001 to 1F27FF
Information service address	1F2800 to 1F67FF
Network address	1F6800 to 1F77FF
Temporary address	1F7800 to 1F780F
Operator messaging address	1F7810 to 1F781F
Short address (reserved)	1F7820 to 1F7FFE
Long address 2	1F7FFF to 1FFFFE
Idle word (illegal address)	1FFFFFF

Table 31 Address word calculation

TYPE	LOWER ADDRESS CODEWORD; notes 1, 2 and 3	UPPER ADDRESS CODEWORD; notes 1, 3 and 4
Short address	CAPCODE + 8000	note 5
Long address, range 1 to 2; note 6	$1 + ((\text{CAPCODE} - 1\text{F9001}) \text{MOD } 8000)$	$1\text{FFFFFF} - ((\text{CAPCODE} - 1\text{F9001}) \text{DIV } 8000)$
Long address, ranges 1 to 3 and 1 to 4	$1 + ((\text{CAPCODE} - 1\text{F9001}) \text{MOD } 8000)$	$1\text{D8000} + ((\text{CAPCODE} - 1\text{F9001}) \text{DIV } 8000)$
Long address, range 2 to 3	$1\text{F7FFF} + ((\text{CAPCODE} - 1\text{F8FFF}) \text{MOD } 8000)$	$1\text{C8000} + ((\text{CAPCODE} - 1\text{F8FFF}) \text{DIV } 8000)$

Notes

1. All numbers are in hexadecimal format.
2. The MOD operator gives the remainder of an integer division.
3. CAPCODE refers to the value of the address field in a FLEX™ CAPCODE.
4. The DIV operator is the integer division.
5. A short address consists of a single codeword.
6. The upper codeword range in bank 2 is used from the highest address downwards, i.e. the lowest value of the CAPCODE produces a codeword value of 1FFFFFFH.

FLEX™ roaming decoder II

PCD5013

8.6.5 PHASE AND FRAME CALCULATION

The method for specifying phase and base frame of a pager is specified in the CAPCODE type.

- The phase and base frame are extracted by standard rules from the user address field in the CAPCODE (CAPCODE types A to L)
- The phase is indicated by the CAPCODE type (Table 32) and the base frame is specified in the frame field of the CAPCODE (CAPCODE types U to Z).

For easy allocation of (up to 4) consecutive CAPCODES having the same phase and frame, an offset in the range 0 to 3 is subtracted from the user address for the purposes of phase and frame extraction. The offset is determined by the CAPCODE type.

The standard rules for extracting phase and base frame from the user address are (phase numbers 0 to 3 correspond to phases A to D):

$$\text{Phase number} = ((\text{Address} - \text{Offset}) \text{ DIV } 4) \text{ MOD } 4$$

$$\text{Frame} = ((\text{Address} - \text{Offset}) \text{ DIV } 16) \text{ MOD } 128$$

where DIV is the integer division and MOD is the remainder of an integer division.

For a CAPCODE not using the standard rules for extracting phase and base frame (types U to Z) the 3-digit frame field 000 to 127 and a single digit decimal pager collapse 0 to 5 can precede the CAPCODE type. When these fields are not included, the paging device or the subscriber database must be accessed to determine the assigned frame and collapse value.

The CAPCODE for a roaming pager uses an Alpha character to describe the level of roaming capability. The Alpha characters descriptions are shown in Table 33.

Table 32 Frame and phase extraction for different CAPCODE types

CAPCODE TYPE	PAGER TYPE	FRAME/PHASE EXTRACTION
A	single-phase	standard rules; Offset: 0
B	single-phase	standard rules; Offset: 1
C	single-phase	standard rules; Offset: 2
D	single-phase	standard rules; Offset: 3
E	any-phase	standard rules; Offset: 0
F	any-phase	standard rules; Offset: 1
G	any-phase	standard rules; Offset: 2
H	any-phase	standard rules; Offset: 3
I	all-phase; note 1	standard rules; Offset: 0
J	all-phase; note 1	standard rules; Offset: 1
K	all-phase; note 1	standard rules; Offset: 2
L	all-phase; note 1	standard rules; Offset: 3
U	single-phase	no frame extraction rules, phase-A
V	single-phase	no frame extraction rules, phase-B
W	single-phase	no frame extraction rules, phase-C
X	single-phase	no frame extraction rules, phase-D
Y	any-phase	no frame extraction rules, any-phase
Z	all-phase; note 1	no frame extraction rules, all-phase

Note

1. All-phase decoding is not defined in FLEX™ G1.8 and, therefore, is not supported by the PCD5013.

FLEX™ roaming decoder II

PCD5013

Table 33 Roaming CAPCODE character

CHARACTER	DESCRIPTION
P	non-roaming or single frequency pager
Q	no frame offset, follows the Traffic Management Flags
R	frame offset BIW101, does not follow the Traffic Management Flags
S	frame offset BIW101, follows the Traffic Management Flags

8.6.6 CONFIGURATION OF USER ADDRESSES
(ID = 78H, 80H TO 8FH)

The PCD5013 has 16 user address locations which can be programmed as network IDs or as long or short addresses, which can be configured as priority and/or tone-only. After a reset all address locations are disabled. Short addresses and network IDs occupy a single location, long addresses occupy two locations. The first word of a long address must be in an even address location and the second word must be in the address index immediately following the first word. Address location containing long addresses of the 2-3 and 2-4 set (Section 8.6.3) must follow any address locations programmed as long addresses of the 1-2, 1-3 and 1-4 set.

User addresses are programmed using the address assignment packets, and are enabled and disabled using the address enable packet. To allow easy reprogramming of user addresses without disrupting normal operation, the host can send address assignment packets while the PCD5013 is on.

In this case, the host must disable the user address location(s) by clearing the corresponding user address enable (UAE) bit in the UAE packet before changing any of the bits in the corresponding address assignment packet.

a: address location (Table 34). This specifies which address location is being configured. A zero in this field corresponds to address index zero (AI = 0) in the address packet received from the PCD5013 when an address is detected (Section 8.7.2).

LA: long address (Table 34). When this bit is set, the address is configured as a long address. Both words of a long address must have this bit set.

TOA: tone-only address (Table 34). When this bit is set, the PCD5013 considers this address a tone-only address and does not decode a vector word when the address is received. Both words of a long, tone only address must have this bit set.

A: address word (Table 34). This is the 21-bit value of the address word (A20 = MSB). Valid FLEX™ messaging addresses or Network ID's must be used. For the conversion from a CAPCODE (Section 8.6.4).

UAE: user address enable (Table 35). When a bit is set, the corresponding user address location is enabled. When it is cleared, the corresponding user address location is disabled. UAE₀ corresponds to the user address location configured using a packet ID of 80H and UAE₁₅ corresponds to the user address location configured using a packet ID of 8FH. In some instances, if an invalid FLEX™ messaging address is programmed, it is not detected even when the address is enabled. Value after reset = 0.

Table 34 Address assignment packet bit assignments (ID = 80H to 8FH)

BYTE	BIT 7	BIT 6	BIT 5	BIT 4	BIT 3	BIT 2	BIT 1	BIT 0
3	1	0	0	0	a ₃	a ₂	a ₁	a ₀
2	0	LA	TOA	A ₂₀	A ₁₉	A ₁₈	A ₁₇	A ₁₆
1	A ₁₅	A ₁₄	A ₁₃	A ₁₂	A ₁₁	A ₁₀	A ₉	A ₈
0	A ₇	A ₆	A ₅	A ₄	A ₃	A ₂	A ₁	A ₀

Table 35 Address enable packet bit assignments (ID = 78H)

BYTE	BIT 7	BIT 6	BIT 5	BIT 4	BIT 3	BIT 2	BIT 1	BIT 0
3	0	1	1	1	1	0	0	0
2	0	0	0	0	0	0	0	0
1	UAE ₁₅	UAE ₁₄	UAE ₁₃	UAE ₁₂	UAE ₁₁	UAE ₁₀	UAE ₉	UAE ₈
0	UAE ₇	UAE ₆	UAE ₅	UAE ₄	UAE ₃	UAE ₂	UAE ₁	UAE ₀

FLEX™ roaming decoder II

PCD5013

8.6.7 CONFIGURATION OF ASSIGNED FRAMES AND PAGER COLLAPSE (ID = 20H TO 27H)

The assigned frame and collapse value determine the frames in which the decoding device typically looks for messages (other system factors can cause the decoding device to look in other frames in addition to the typical frames).

The PCD5013 must be configured explicitly to receive all required frames by setting the associated assigned frame (AF) bits. For each enabled CAPCODE these are the base frame and the associated frames implied by the pager collapse value. For example if the PCD5013 has one enabled address and it is assigned to base frame 3 with a collapse value of 4, the AF bits for frames 3, 19, 35, 51, 67, 83, 99 and 115 should be set and the AF bits for all other frames should be cleared.

When the PCD5013 is configured for manual collapse mode by setting the MCM bit in the Roaming Control Packet, the PCD5013 does not apply the received system collapse to the AF bits. The host should set the AF bits for all frames that should be decoded on all channels.

For example, if frames 0 and 64 should be decoded on one channel and frames 4, 36, 68, and 100 should be decoded on another channel, all six of the corresponding AF bits should be set. The host can then change the receiver's carrier frequency after the PCD5013 decodes frames 0, 36, 64, and 100.

There are 8 frame assignment packets each capable of assigning a range of 16 consecutive frame numbers.

f: frame range, see Table 38 for location in the frame assignment packet and Table 36 for the AFs and values. The value determines which 16 frames out of a range of 128 correspond to the 16 AF bits in the packet. At least one of these bits must have been set when the PCD5013 is turned on by setting the ON bit in the control packet. Value after reset = 0.

AF: assigned frame (Table 38). If a bit is set, the PCD5013 decodes the associated FLEX™ frame and scans its contents for enabled addresses. Value after reset = 0.

8.6.8 CONFIGURATION OF ASSIGNED PHASE

The assigned phase is required only for single-phase devices. It determines the phase (A, B, C, or D) in which the messages are received.

For details of phase calculation see Section 8.6.5. For details of programming the assigned phase see Section 8.4.7.

Table 36 Frame assignment ranges

f ₂	f ₁	f ₀	AF ₁₅	AF ₀
0	0	0	frame 127	frame 112
0	0	1	frame 111	frame 96
0	1	0	frame 95	frame 80
0	1	1	frame 79	frame 64
1	0	0	frame 63	frame 48
1	0	1	frame 47	frame 32
1	1	0	frame 31	frame 16
1	1	1	frame 15	frame 0

8.6.9 OPERATOR MESSAGING ADDRESS ENABLE PACKET (ID = 04H)

The operator messaging address enable packet is used to enable and disable the built-in FLEX™ operator messaging addresses. Enabling and disabling operator messaging addresses does not affect on which frames the decoder IC decodes. To ensure that the correct frames are decoded, the host must modify the FF bits in the Control Packet or the AF bits in the Frame Assignment Packets.

OAE: operator messaging address enable (Table 37). When a bit is set, the corresponding operator messaging address is enabled. When it is cleared, the corresponding operator messaging address is disabled. OAE₀ to OAE₁₅ corresponds to the hexadecimal operator messaging address values of 1F7810 through to 1F781F respectively. Value after reset = 0.

Table 37 Operator messaging address enable packet bit assignments

BYTE	BIT 7	BIT 6	BIT 5	BIT 4	BIT 3	BIT 2	BIT 1	BIT 0
3	0	0	0	0	0	1	0	0
2	0	0	0	0	0	0	0	0
1	OAE ₁₅	OAE ₁₄	OAE ₁₃	OAE ₁₂	OAE ₁₁	OAE ₁₀	OAE ₉	OAE ₈
0	OAE ₇	OAE ₆	OAE ₅	OAE ₄	OAE ₃	OAE ₂	OAE ₁	OAE ₀

FLEX™ roaming decoder II

PCD5013

Table 38 Frame assignment packet bit assignments

BYTE	BIT 7	BIT 6	BIT 5	BIT 4	BIT 3	BIT 2	BIT 1	BIT 0
3	0	0	1	0	0	f ₂	f ₁	f ₀
2	0	0	0	0	0	0	0	0
1	AF ₁₅	AF ₁₄	AF ₁₃	AF ₁₂	AF ₁₁	AF ₁₀	AF ₉	AF ₈
0	AF ₇	AF ₆	AF ₅	AF ₄	AF ₃	AF ₂	AF ₁	AF ₀

8.7 Call data packets**8.7.1 GENERAL**

The PCD5013 sends data extracted from the FLEX™ signal to the host in SPI packets using the following packet types:

- BIW packets which contain data transmitted in BIWs
- Address packets which indicate that a call has been detected and give additional information about call attributes
- Vector packets which indicate the call type and indicate which message word numbers (WN) are associated with the call
- Message packets which contain the information contained within the message codewords of a call.

For more information about the function of these packets within the FLEX™ data stream see Section 8.8.

8.7.2 ADDRESS PACKET (ID = 01H)

Information from address codewords in received calls is sent to the host in address packets. If less than 3-bit errors are detected in a received address word and it matches an enabled address assigned to the PCD5013, the address packet is sent to the host processor. The address packet contains the call address, the location in the data stream of the associated vector, and other miscellaneous call data.

PA: priority address (Table 39). This bit is set if the address was received as a priority address.

p: phase (Table 39). This is the phase on which the address was detected (0 = A, 1 = B, 2 = C and 3 = D).

LA: long address (Table 39). This bit is set if the address was programmed in the PCD5013 as a LA.

AI: address index (Table 39). This index identifies which address was detected. Valid values are 00H to 0FH, corresponding to the 16 programmable address words and 80H to 8FH, corresponding to the 16 temporary addresses (Section 8.8.5). Values 144 through to 159 correspond to 16 operator messaging addresses.

For long addresses, the address packet is only sent once with AI referring to the second word of the address.

TOA: tone-only address (Table 39). This bit is set if the address was programmed as a tone-only address. No vector word is sent for tone-only addresses. This bit is never set for temporary or operator messaging addresses.

WN: word number of vector (2 to 87 decimal) (Table 39). The location of the vector within this frame for the detected address. This value is invalid for this packet if the TOA bit is set.

x: unused bits (Table 39). The value of these bits is not guaranteed.

8.7.3 VECTOR PACKETS (ID = 02H TO 57H)

Information from vector codewords in received calls is sent to the host in vector packets. For any address packet sent to the host (except tone-only addresses), a corresponding vector packet is always sent.

The ID of the vector packet is the word number where the vector word was received in the frame. The host must associate vector packets with a call by searching for an address packet previously received on the same phase and with WN bits which match the ID of the vector packet.

The vector type of a vector packet indicates the format of a call as one of:

- Numeric (3 types)
- Short message/tone-only
- Hex/binary
- Alphanumeric
- Secure message
- Short instruction.

The numeric, hex/binary, alphanumeric, and secure message vector packets indicate the location and number of message word packets in the message field. If more than two bit errors are detected in the vector word (via BCH calculations, parity calculations, check character calculations, or value validation) the e bit is set and the message words are not sent.

FLEX™ roaming decoder II

PCD5013

Table 39 Address packet bit assignments

BYTE	BIT 7	BIT 6	BIT 5	BIT 4	BIT 3	BIT 2	BIT 1	BIT 0
3	0	0	0	0	0	0	0	1
2	PA	p ₁	p ₀	LA	x	x	x	x
1	AI ₇	AI ₆	AI ₅	AI ₄	AI ₃	AI ₂	AI ₁	AI ₀
0	TOA	WN ₆	WN ₅	WN ₄	WN ₃	WN ₂	WN ₁	WN ₀

8.7.4 NUMERIC VECTOR PACKET

WN: word number of vector (2 to 87 decimal) (Table 40). WN describes the location of the vector word in the frame.

e: error (Table 40). Set if more than 2-bit errors are detected in the word, if the check character calculation fails after error correction has been performed, or if the vector value is determined to be invalid.

p: phase (Table 40). This is the phase on which the vector was found (0 = A, 1 = B, 2 = C and 3 = D).

x: unused bits (Table 40). The value of these bits is not guaranteed.

V: vector type identifier (Table 41).

K: first check bits of the message checksum (Table 40 and Section 8.8.7).

n: number of message words in the message (Table 40), including the second vector word for long addresses, (000 = 1 word message, 001 = 2 word message, etc.). For long addresses, the first message word is located in the word location that immediately follows the associated vector.

b: word number of message start in the message field (3 to 87 decimal) (Table 40). For long addresses, the word number indicates the location of the second message word.

Table 40 Numeric vector packet bit assignments

BYTE	BIT 7	BIT 6	BIT 5	BIT 4	BIT 3	BIT 2	BIT 1	BIT 0
3	0	WN ₆	WN ₅	WN ₄	WN ₃	WN ₂	WN ₁	WN ₀
2	e	p ₁	p ₀	x	x	V ₂	V ₁	V ₀
1	x	x	K ₃	K ₂	K ₁	K ₀	n ₂	n ₁
0	n ₀	b ₆	b ₅	b ₄	b ₃	b ₂	b ₁	b ₀

Table 41 Numeric vector definitions

V ₂	V ₁	V ₀	TYPE	DESCRIPTION
0	1	1	standard numeric	No special formatting of characters is specified.
1	0	0	special format numeric	Formatting of the received characters is predetermined by special rules in the host (e.g. inserting spaces and dashes).
1	1	1	numbered numeric	Received information is numbered by the service provider to indicate all messages have been properly received.

FLEX™ roaming decoder II

PCD5013

8.7.5 SHORT MESSAGE/TONE-ONLY VECTOR PACKET

V: vector type identifier, these bits set to 010 for a short message/tone-only vector (Table 42).

WN: word number of vector (2 to 87 decimal) (Table 42). WN describes the location of the vector word in the frame.

e: error (Table 42). Set if more than 2-bit errors are detected in the word, if the check character calculation fails after error correction has been performed, or if the vector value is determined to be invalid.

p: phase (Table 42). This is the phase on which the vector was found (0 = A, 1 = B, 2 = C and 3 = D).

t: message type (Tables 42 and 43). These bits define the meaning of the d bits in this packet.

x: unused bits (Table 42). The value of these bits is not guaranteed.

d: data bits whose definition depends on the value of t in this packet according to Table 43. Note that if this vector is received on a long address and the e bit in this packet is not set, the decoder sends a message packet from the word location immediately following the vector packet. Except for the short message on a non-network address (t = 0), all messages bits in the message packet are unused and should be ignored.

Table 42 Short message/tone-only vector packet bit assignments

BYTE	BIT 7	BIT 6	BIT 5	BIT 4	BIT 3	BIT 2	BIT 1	BIT 0
3	0	WN ₆	WN ₅	WN ₄	WN ₃	WN ₂	WN ₁	WN ₀
2	e	p ₁	p ₀	x	x	V ₂	V ₁	V ₀
1	x	x	d ₁₁	d ₁₀	d ₉	d ₈	d ₇	d ₆
0	d ₅	d ₄	d ₃	d ₂	d ₁	d ₀	t ₁	t ₀

Table 43 Short message/tone-only vector definitions; note 1

t ₁	t ₀	d ₁₁	d ₁₀	d ₉	d ₈	d ₇	d ₆	d ₅	d ₄	d ₃	d ₂	d ₁	d ₀	DESCRIPTION
0	0	c ₃	c ₂	c ₁	c ₀	b ₃	b ₂	b ₁	b ₀	a ₃	a ₂	a ₁	a ₀	first 3 numeric characters; note 2
0	1	s ₈	s ₇	s ₆	s ₅	s ₄	s ₃	s ₂	s ₁	s ₀	S ₂	S ₁	S ₀	8 sources (S) and 9 unused bits (s)
1	0	s ₁	s ₀	R ₀	N ₅	N ₄	N ₃	N ₂	N ₁	N ₀	S ₂	S ₁	S ₀	8 sources (S), message retrieval flag (R), message number (N) and 2 unused bits (s)
1	1													spare message type

Notes

- When this vector is sent in conjunction with a Network Address, the t₁,t₀ value '00' represents Network ID information. In this case the bit definitions are: T3 T2 T1 T0 M2 M1 M0 A4 A3 A2 A1 A0 Where T are Traffic Management Flags, M represents a multiplier and A is the service area.
- For long addresses, an extra 5 characters are sent in the message packet immediately following the vector packet. t₀ and t₁ are also set to '00' when defining the last 12 bits of a Network Address.

FLEX™ roaming decoder II

PCD5013

8.7.6 HEX/BINARY, ALPHANUMERIC AND SECURE MESSAGE VECTORS

V: vector type identifier (Table 44).

WN: word number of vector (2 to 87 decimal) (Table 45). WN describes the location of the vector word in the frame.

e: error (Table 45). Set if more than 2-bit errors are detected in the word, if the check character calculation fails after error correction has been performed, or if the vector value is determined to be invalid.

p: phase (Table 45). This is the phase on which the vector was found (0 = A, 1 = B, 2 = C and 3 = D).

n: number of message words in this frame (Table 45), including the first message word that immediately follows a long address vector. Valid values are 1 to 85 decimal.

b: word number of message start in the message field (Table 45). Valid values are 3 to 87 decimal.

x: unused bits (Table 45). The value of these bits is not guaranteed.

Note that for long addresses, the first message packet is sent from the word location immediately following the word location of the vector packet. The b bits indicate the second message word in the message field if one exists.

Table 44 Non-numeric vector definitions

V ₂	V ₁	V ₀	TYPE
0	0	0	secure
1	0	1	alphanumeric
1	1	0	hex/binary

Table 45 Hex/binary, alphanumeric and secure message vector packet bit assignments

BYTE	BIT 7	BIT 6	BIT 5	BIT 4	BIT 3	BIT 2	BIT 1	BIT 0
3	0	WN ₆	WN ₅	WN ₄	WN ₃	WN ₂	WN ₁	WN ₀
2	e	p ₁	p ₀	x	x	V ₂	V ₁	V ₀
1	x	x	n ₆	n ₅	n ₄	n ₃	n ₂	n ₁
0	n ₀	b ₆	b ₅	b ₄	b ₃	b ₂	b ₁	b ₀

FLEX™ roaming decoder II

PCD5013

8.7.7 SHORT INSTRUCTION VECTOR

V: these bits are set 001 for a short instruction vector.

WN: word number of vector (2 to 87 decimal) (Table 46). WN describes the location of the vector word in the frame.

e: error (Table 46). Set if more than 2-bit errors are detected in the word, if the check character calculation fails after error correction has been performed, or if the vector value is determined to be invalid.

p: phase (Table 46). This is the phase on which the vector was found (0 = A, 1 = B, 2 = C and 3 = D).

i: instruction type (Tables 46 and 47). These bits define the meaning of the d bits in this packet.

x: unused bits (Table 46). The value of these bits is not guaranteed.

d: data bits whose definition depend on the value of the i bits in this packet according to Table 47. Note that if this vector is received on a long address and the e bit in this packet is not set, the decoder sends a message packet immediately following the vector packet. All message bits in the message packet are unused and should be ignored.

Table 46 Short instruction vector packet bit assignments

BYTE	BIT 7	BIT 6	BIT 5	BIT 4	BIT 3	BIT 2	BIT 1	BIT 0
3	0	WN ₆	WN ₅	WN ₄	WN ₃	WN ₂	WN ₁	WN ₀
2	e	p ₁	p ₀	x	x	V ₂	V ₁	V ₀
1	x	x	d ₁₀	d ₉	d ₈	d ₇	d ₆	d ₅
0	d ₄	d ₃	d ₂	d ₁	d ₀	i ₂	i ₁	i ₀

Table 47 Short instruction vector definitions

i ₂	i ₁	i ₀	d ₁₀	d ₉	d ₈	d ₇	d ₆	d ₅	d ₄	d ₃	d ₂	d ₁	d ₀	DESCRIPTION
0	0	0	a ₃	a ₂	a ₁	a ₀	f ₆	f ₅	f ₄	f ₃	f ₂	f ₁	f ₀	temporary address assignment, note 1
0	0	1	d ₁₀	d ₉	d ₈	d ₇	d ₆	d ₅	d ₄	d ₃	d ₂	d ₁	d ₀	system event; note 2
0	1	0	a ₃	a ₂	a ₁	a ₀	f ₆	N ₅	N ₄	N ₃	N ₂	N ₁	N ₀	temporary address with message sequence number; note 2
0	1	1												reserved
1	0	0												reserved
1	0	1												reserved
1	1	0												reserved
1	1	1												reserved for test

Notes

1. Assigned temporary address index a and associated frame number f (Section 8.8.5).
2. Refer to "FLEX™ Protocol specification G1.9".

FLEX™ roaming decoder II

PCD5013

8.7.8 MESSAGE PACKETS (ID = 03H TO 57H)

8.7.8.1 General

The message field follows the vector field in the FLEX™ protocol. It contains the message data, checksum information, and may contain fragment and message numbers (Sections 8.8.8 and 8.8.6). If the error bit of a vector word is not set and the vector word indicates that there are message words associated with the page, the message words are sent in message packets to the host.

The ID of the message packet is the word number where the message word was received in the frame.

WN: word number of message word (3 to 87 decimal) (Table 49). WN describes the location of the message word in the frame.

e: error (Table 49). Set if more than 2-bit errors are detected in the word.

p: phase (Table 49). This is the phase on which the vector was found (0 = A, 1 = B, 2 = C and 3 = D).

i: these are the information bits of the message word (Table 49). The definition of these i bits depends on the vector type and which word of the message is being received.

8.7.8.2 Numeric Message

FLEX™ numeric messages are encoded using the 4-bit BCD encoded characters sets described in Table 48. Characters are placed in codewords along with additional information about the message as described in Tables 50 and 51 and the following definitions. The 4-bit numeric characters of the message are designated as letters a, b, c, d, ... z, A, B etc.

Only codewords containing the numeric message are to be transmitted. The space character CH is used to fill any unused 4-bit characters in the last word and zeros to fill any remaining partial characters. The checksum includes only the codewords comprising the shortened message, along with the space and fill characters used to fill in the last word.

Table 48 Standard and alternate numeric character sets; Peoples Republic of China (PRC) option 'on' and 'off'

B ₃	B ₂	B ₁	B ₀	CHARACTER	
				PRC 'on'	PRC 'off'
0	0	0	0	0	0
0	0	0	1	1	1
0	0	1	0	2	2
0	0	1	1	3	3
0	1	0	0	4	4
0	1	0	1	5	5
0	1	1	0	6	6
0	1	1	1	7	7
1	0	0	0	8	8
1	0	0	1	9	9
1	0	1	0	A	spare
1	0	1	1	B	U
1	1	0	0	space	space
1	1	0	1	C	–
1	1	1	0	D]
1	1	1	1	E	[

Table 49 Message packet bit assignments

BYTE	BIT 7	BIT 6	BIT 5	BIT 4	BIT 3	BIT 2	BIT 1	BIT 0
3	0	WN ₆	WN ₅	WN ₄	WN ₃	WN ₂	WN ₁	WN ₀
2	e	p ₁	p ₀	i ₂₀	i ₁₉	i ₁₈	i ₁₇	i ₁₆
1	i ₁₅	i ₁₄	i ₁₃	i ₁₂	i ₁₁	i ₁₀	i ₉	i ₈
0	i ₇	i ₆	i ₅	i ₄	i ₃	i ₂	i ₁	i ₀

FLEX™ roaming decoder II

PCD5013

K: least significant 2 bits of 6-bit message checksum (Tables 50 and 51), most significant 4 bits are in the vector word. See Section 8.8.7 for a description of message checksums.

N: message number (Table 51). See Section 8.8.8 for a description of message numbering.

R: message retrieval flag (Table 51). When this bit is set, the pager expects this message to be numbered. See Section 8.8.8 for a description of message numbering.

S: special format, (Table 51). In the numbered message format, when this bit is set, a special display format should be used. Spaces and dashes, specified by the host, are inserted into the received message to ease reading of the message. This feature may avoid the transmission of an additional word on the channel. The actual format is undefined in FLEX™ and may be determined by the manufacturer.

Table 50 Standard (V = 011) or special format (V = 100) 4, 10, 15, 20, 25, 31, 36, or 41 characters

MESSAGE WORD	i ₀	i ₁	i ₂	i ₃	i ₄	i ₅	i ₆	i ₇	i ₈	i ₉	i ₁₀	i ₁₁	i ₁₂	i ₁₃	i ₁₄	i ₁₅	i ₁₆	i ₁₇	i ₁₈	i ₁₉	i ₂₀
1st	K ₄	K ₅	a ₀	a ₁	a ₂	a ₃	b ₀	b ₁	b ₂	b ₃	c ₀	c ₁	c ₂	c ₃	d ₀	d ₁	d ₂	d ₃	e ₀	e ₁	e ₂
2nd	e ₃	f ₀	f ₁	f ₂	f ₃	g ₀	g ₁	g ₂	g ₃	h ₀	h ₁	h ₂	h ₃	i ₀	i ₁	i ₂	i ₃	j ₀	j ₁	j ₂	j ₃
3rd	k ₀	k ₁	k ₂	k ₃	l ₀	l ₁	l ₂	l ₃	m ₀	m ₁	m ₂	m ₃	n ₀	n ₁	n ₂	n ₃	o ₀	o ₁	o ₂	o ₃	q ₀
4th	q ₁	q ₂	q ₃	r ₀	r ₁	r ₂	r ₃	s ₀	s ₁	s ₂	s ₃	t ₀	t ₁	t ₂	t ₃	u ₀	u ₁	u ₂	u ₃	v ₀	v ₁
5th	v ₂	v ₃	w ₀	w ₁	w ₂	w ₃	y ₀	y ₁	y ₂	y ₃	z ₀	z ₁	z ₂	z ₃	A ₀	A ₁	A ₂	A ₃	B ₀	B ₁	B ₂
6th	B ₃	C ₀	C ₁	C ₂	C ₃	D ₀	D ₁	D ₂	D ₃	E ₀	E ₁	E ₂	E ₃	F ₀	F ₁	F ₂	F ₃	G ₀	G ₁	G ₂	G ₃
7th	H ₀	H ₁	H ₂	H ₃	l ₀	l ₁	l ₂	l ₃	J ₀	J ₁	J ₂	J ₃	V ₀	V ₁	V ₂	V ₃	L ₀	L ₁	L ₂	L ₃	M ₀
8th	M ₁	M ₂	M ₃	O ₀	O ₁	O ₂	O ₃	P ₀	P ₁	P ₂	P ₃	Q ₀	Q ₁	Q ₂	Q ₃	T ₀	T ₁	T ₂	T ₃	U ₀	U ₁

Table 51 Numbered (V = 111) 2, 8, 13, 18, 23, 29, 34, or 39 numeric characters

MESSAGE WORD	i ₀	i ₁	i ₂	i ₃	i ₄	i ₅	i ₆	i ₇	i ₈	i ₉	i ₁₀	i ₁₁	i ₁₂	i ₁₃	i ₁₄	i ₁₅	i ₁₆	i ₁₇	i ₁₈	i ₁₉	i ₂₀
1st	K ₄	K ₅	N ₀	N ₁	N ₂	N ₃	N ₄	N ₅	R ₀	S ₀	a ₀	a ₁	a ₂	a ₃	b ₀	b ₁	b ₂	b ₃	c ₀	c ₁	c ₂
2nd	c ₃	d ₀	d ₁	d ₂	d ₃	e ₀	e ₁	e ₂	e ₃	f ₀	f ₁	f ₂	f ₃	g ₀	g ₁	g ₂	g ₃	h ₀	h ₁	h ₂	h ₃
3rd	i ₀	i ₁	i ₂	i ₃	j ₀	j ₁	j ₂	j ₃	k ₀	k ₁	k ₂	k ₃	l ₀	l ₁	l ₂	l ₃	m ₀	m ₁	m ₂	m ₃	n ₀
4th	n ₁	n ₂	n ₃	o ₀	o ₁	o ₂	o ₃	q ₀	q ₁	q ₂	q ₃	r ₀	r ₁	r ₂	r ₃	s ₀	s ₁	s ₂	s ₃	t ₀	t ₁
5th	t ₂	t ₃	u ₀	u ₁	u ₂	u ₃	v ₀	v ₁	v ₂	v ₃	w ₀	w ₁	w ₂	w ₃	y ₀	y ₁	y ₂	y ₃	z ₀	z ₁	z ₂
6th	z ₃	A ₀	A ₁	A ₂	A ₃	B ₀	B ₁	B ₂	B ₃	C ₀	C ₁	C ₂	C ₃	D ₀	D ₁	D ₂	D ₃	E ₀	E ₁	E ₂	E ₃
7th	F ₀	F ₁	F ₂	F ₃	G ₀	G ₁	G ₂	G ₃	H ₀	H ₁	H ₂	H ₃	l ₀	l ₁	l ₂	l ₃	J ₀	J ₁	J ₂	J ₃	V ₀
8th	V ₁	V ₂	V ₃	L ₀	L ₁	L ₂	L ₃	M ₀	M ₁	M ₂	M ₃	O ₀	O ₁	O ₂	O ₃	P ₀	P ₁	P ₂	P ₃	Q ₀	Q ₁

FLEX™ roaming decoder II

PCD5013

8.7.8.3 Alphanumeric Message

FLEX™ alphanumeric messages are encoded using the 7-bit encoded alphanumeric character set defined in Table 52. Characters are placed in codewords along with additional information about the message as described in Tables 53 and 54 and the following definitions. The 7-bit characters of the message are designated lower case letters a, b, c, d, etc.

Alphanumeric messages can be sent as fragments. See Section 8.8.6 for a description of message fragmentation.

Control characters that are not acted upon by the pager are ignored in the display process (do not require display space) but are stored in memory for possible download to an external device. The ASCII character ETX (03H) should be used to fill any unused 7-bit characters in a word.

Where symbolic characters (e.g. Chinese, Kanji etc.) are being transmitted, special rules for fragment and message termination are defined in Section 8.8.6.1.

Each 7-bit field, starting with the second character of the second word in the message (first character of the second word in all remaining fragments), represents standard ASCII (ISO 646-1983E) characters with options for certain international characters.

Table 52 FLEX™ alphanumeric character set

LEAST SIGNIFICANT 4 BITS OF CHARACTER (HEX)	MOST SIGNIFICANT 3 BITS OF CHARACTER (HEX)							
	0	1	2	3	4	5	6	7
0	NUL	DLE	SP	0	@	P	'	p
1	SOH	DC1	!	1	A	Q	a	q
2	STX	DC2	"	2	B	R	b	r
3	ETX	DC3	#	3	C	S	c	s
4	EOT	DC4	\$	4	D	T	d	t
5	ENQ	NAK	%	5	E	U	e	u
6	ACK	SYN	&	6	F	V	f	v
7	BEL	ETB	'	7	G	W	g	w
8	BS	CAN	(8	H	X	h	x
9	TAB	EM)	9	I	Y	i	y
A	LF	SUB	*	:	J	Z	j	z
B	VT	ESC	+	;	K	[k	{
C	FF	FS	,	<	L	\	l	
D	CR	GS	-	=	M]	m	}
E	SO	RS	.	>	N	^	n	~
F	SI	US	/	?	O	_	o	DEL

FLEX™ roaming decoder II

PCD5013

K: 10-bit fragment checksum (Tables 53 and 54). See Section 8.8.7 for a description of message checksum.

C: 1-bit message continued flag (Tables 53 and 54). When this bit is set, fragments of this message are to be expected in following frames. See Section 8.8.6 for a description of message fragmentation.

F: 2-bit message fragment number (Tables 53 and 54). This is a modulo 3 message fragment number which is incremented by 1 in successive message fragments. See Section 8.8.6 for a description of message fragmentation.

N: message number (Tables 53 and 54). See Section 8.8.8 for a description of message numbering.

M: 1-bit mail drop flag (Table 53). When this bit is set, it indicates the message is to be stored in a special area in memory and is written over existing data automatically in that memory space.

R: message retrieval flag (Table 53). When this bit is set, the pager expects this message to be numbered. See Section 8.8.8 for a description of message numbering.

S: 7-bit signature field (Table 53). The signature is defined to be the 1's complement of the binary sum over the total message (all fragments). 7 bits at a time are taken (on alpha character boundary) starting with the first 7 bits directly following the signature field, $a_6a_5a_4a_3a_2a_1a_0$, $b_6b_5b_4b_3b_2b_1b_0$, etc. The 7 LSBs of the result are transmitted as the message signature.

U, V: fragmentation control bits (Table 54). This field exists in all fragments except the first fragment. It is used to support character position tracking in each fragment when symbolic characters (character made up of 1, 2 or 3 ASCII characters) are transmitted using the alphanumeric message type. The default value is 0,0. See Section 8.8.6.1 for a description of fragment control.

Table 53 Vector type V = 101 first fragment

MESSAGE WORD	i ₀	i ₁	i ₂	i ₃	i ₄	i ₅	i ₆	i ₇	i ₈	i ₉	i ₁₀	i ₁₁	i ₁₂	i ₁₃	i ₁₄	i ₁₅	i ₁₆	i ₁₇	i ₁₈	i ₁₉	i ₂₀
1st	K ₀	K ₁	K ₂	K ₃	K ₄	K ₅	K ₆	K ₇	K ₈	K ₉	C ₀	F ₀	F ₁	N ₀	N ₁	N ₂	N ₃	N ₄	N ₅	R ₀	M ₀
2nd	S ₀	S ₁	S ₂	S ₃	S ₄	S ₅	S ₆	a ₀	a ₁	a ₂	a ₃	a ₄	a ₅	a ₆	b ₀	b ₁	b ₂	b ₃	b ₄	b ₅	b ₆
3rd	c ₀	c ₁	c ₂	c ₃	c ₄	c ₅	c ₆	d ₀	d ₁	d ₂	d ₃	d ₄	d ₅	d ₆	e ₀	e ₁	e ₂	e ₃	e ₄	e ₅	e ₆
4th	f ₀	f ₁	f ₂	f ₃	f ₄	f ₅	f ₆	g ₀	g ₁	g ₂	g ₃	g ₄	g ₅	g ₆	h ₀	h ₁	h ₂	h ₃	h ₄	h ₅	h ₆
5th	i ₀	i ₁	i ₂	i ₃	i ₄	i ₅	i ₆	j ₀	j ₁	j ₂	j ₃	j ₄	j ₅	j ₆	k ₀	k ₁	k ₂	k ₃	k ₄	k ₅	k ₆
...																					
nth	i	i	i	i	i	i	i	i	i	i	i	i	i	i	i	i	i	i	i	i	i

Table 54 Vector type V = 101 other fragments

MESSAGE WORD	i ₀	i ₁	i ₂	i ₃	i ₄	i ₅	i ₆	i ₇	i ₈	i ₉	i ₁₀	i ₁₁	i ₁₂	i ₁₃	i ₁₄	i ₁₅	i ₁₆	i ₁₇	i ₁₈	i ₁₉	i ₂₀
1st	K ₀	K ₁	K ₂	K ₃	K ₄	K ₅	K ₆	K ₇	K ₈	K ₉	C ₀	F ₀	F ₁	N ₀	N ₁	N ₂	N ₃	N ₄	N ₅	U ₀	V ₀
2nd	a ₀	a ₁	a ₂	a ₃	a ₄	a ₅	a ₆	b ₀	b ₁	b ₂	b ₃	b ₄	b ₅	b ₆	c ₀	c ₁	c ₂	c ₃	c ₄	c ₅	c ₆
3rd	d ₀	d ₁	d ₂	d ₃	d ₄	d ₅	d ₆	e ₀	e ₁	e ₂	e ₃	e ₄	e ₅	e ₆	f ₀	f ₁	f ₂	f ₃	f ₄	f ₅	f ₆
4th	g ₀	g ₁	g ₂	g ₃	g ₄	g ₅	g ₆	h ₀	h ₁	h ₂	h ₃	h ₄	h ₅	h ₆	i ₀	i ₁	i ₂	i ₃	i ₄	i ₅	i ₆
5th	j ₀	j ₁	j ₂	j ₃	j ₄	j ₅	j ₆	k ₀	k ₁	k ₂	k ₃	k ₄	k ₅	k ₆	l ₀	l ₁	l ₂	l ₃	l ₄	l ₅	l ₆
...																					
nth	i	i	i	i	i	i	i	i	i	i	i	i	i	i	i	i	i	i	i	i	i

FLEX™ roaming decoder II

PCD5013

8.7.8.4 Hex/binary message

FLEX™ hexadecimal/binary messages may be encoded using any word size (blocking length) in the range 1 to 16 bits. Words are placed in codewords along with additional information about the message as described in Tables 55 and 56 and these definitions. The message data in Tables 55 and 56 have blocking lengths of 4 bits; words are designated lower case letters a, b, c, d etc.

Hexadecimal/binary messages can be sent as fragments. See Section 8.8.6 for a description of message fragmentation. Messages and message fragments are terminated, or interrupted in the case of a non-terminating fragment, on the last full character boundary in the last codeword. Unused bits are cleared if the last valid data bit is logic 1, or set if the last valid data bit is logic 0. If the terminating fragment exactly fills its last codeword, an additional codeword is sent to indicate the location of the last character. This codeword is filled with logic 0s if the last valid data bit is logic 1 and filled with logic 1s if the last valid data bit is logic 0.

Fields K to N make up the first word of a message and the first word of every fragment in a long message.

K: 12-bit fragment checksum (Tables 55 and 56). See Section 8.8.7 for a description of message checksums.

C: 1-bit message continued flag (Tables 55 and 56). When this bit is set, fragments of this message are to be expected in following frames. See Section 8.8.6 for a description of message fragmentation.

F: 2-bit message fragment number (Tables 55 and 56). This is a modulo 3 message fragment number which is incremented by 1 in successive message fragments. See Section 8.8.6 for a description of message fragmentation.

N: message number (Tables 55 and 56). See Section 8.8.8 for a description of message numbering.

H: 1-bit header message flag (Table 55). It is a header message only when this bit is set, otherwise it is a data message. A header message is a displayable tag associated with a non-displayable data message. The header message (which is sent first) and the data message, both have the same message number.

The second codeword of the first fragment of a hex/binary message contains fields R to S. These fields are only transmitted in the first fragment of a message.

R: message retrieval flag (Table 55). When this bit is set, the pager expects this message to be numbered. See Section 8.8.8 for a description of message numbering.

S: 5-bit field reserved for future use (Table 55). Default value = 00000.

M: 1-bit mail drop flag, see Table 55. When this bit is set, the message is to be stored in a special area in memory to overwrite existing data in the same memory space.

D: 1-bit display direction field (Table 55). D = 0 display left to right, D = 1 display right to left (valid only when data sent as characters i.e. blocking length not equal 0001).

B: 4-bit blocking length (Table 55). Indicates bits per character. $B_3B_2B_1B_0 = 0001 = 1$ -bit per character (binary/transparent data), $1111 = 15$ bits per character, $0000 = 16$ bits per character. Data with a blocking length other than 1 is assumed to be displayed on a character by character basis (default value = 0001). Note: Tables 55 and 56 show B = 4-bit blocking length.

S: 8-bit signature field (Table 55). The 1's complement of the binary sum, taken 8 bits at a time, over the total message prior to formatting into fragments. The first 8 bits following the signature field are summed with the following 8 bits, $b_3b_2b_1b_0a_3a_2a_1a_0 + d_3d_2d_1d_0c_3c_2c_1c_0$, etc. continuing to the last valid data bit in the last word of the last fragment (the sum does not include termination bits). The 8 LSBs of the result are inverted (1's complement) and transmitted as the message signature.

8.7.8.5 Secure message

FLEX™ secure messages are encoded using the 7-bit FLEX™ alphanumeric character set (Section 8.7.8.3). These characters are placed in codewords along with additional information about the message as described in Table 57 and the following definitions. In Table 57, 7-bit characters of the message are designated lower case letters a, b, c, d etc.

Secure messages follow the same fragmentation and termination rules as alphanumeric messages (Section 8.7.8.3).

K: 10-bit fragment checksum (Table 57). See Section 8.8.7 for a description of message checksums.

C: 1-bit message continued flag (Table 57). When this bit is set, fragments of this message are to be expected in following frames. See Section 8.8.6 for a description of message fragmentation.

FLEX™ roaming decoder II

PCD5013

F: 2-bit message fragment number (Table 57). This is a modulo 3 message fragment number which is incremented by 1 in successive message fragments. See Section 8.8.6 for a description of message fragmentation.

N: message number (Table 57). See Section 8.8.8 for a description of message numbering.

s: spare bits (Table 57), are not used and are set to 0.

Table 55 Vector type V = 110 first fragment

MESSAGE WORD	i ₀	i ₁	i ₂	i ₃	i ₄	i ₅	i ₆	i ₇	i ₈	i ₉	i ₁₀	i ₁₁	i ₁₂	i ₁₃	i ₁₄	i ₁₅	i ₁₆	i ₁₇	i ₁₈	i ₁₉	i ₂₀
1st	K ₀	K ₁	K ₂	K ₃	K ₄	K ₅	K ₆	K ₇	K ₈	K ₉	K ₁₀	K ₁₁	C ₀	F ₀	F ₁	N ₀	N ₁	N ₂	N ₃	N ₄	N ₅
2nd	R ₀	M ₀	D ₀	H ₀	B ₀	B ₁	B ₂	B ₃	s ₀	s ₁	s ₂	s ₃	s ₄	S ₀	S ₁	S ₂	S ₃	S ₄	S ₅	S ₆	S ₇
3rd	a ₀	a ₁	a ₂	a ₃	b ₀	b ₁	b ₂	b ₃	c ₀	c ₁	c ₂	c ₃	d ₀	d ₁	d ₂	d ₃	e ₀	e ₁	e ₂	e ₃	f ₀
4th	f ₁	f ₂	f ₃	g ₀	g ₁	g ₂	g ₃	h ₀	h ₁	h ₂	h ₃	i ₀	i ₁	i ₂	i ₃	j ₀	j ₁	j ₂	j ₃	k ₀	k ₁
5th	k ₂	k ₃	l ₀	l ₁	l ₂	l ₃	m ₀	m ₁	m ₂	m ₃	n ₀	n ₁	n ₂	n ₃	o ₀	o ₁	o ₂	o ₃	q ₀	q ₁	q ₂
6th	q ₃	r ₀	r ₁	r ₂	r ₃	s ₀	s ₁	s ₂	s ₃	t ₀	t ₁	t ₂	t ₃	u ₀	u ₁	u ₂	u ₃	v ₀	v ₁	v ₂	v ₃
...																					
nth	i	i	i	i	i	i	i	i	i	i	i	i	i	i	i	i	i	i	i	i	i

Table 56 Vector type V = 110 all other fragments

MESSAGE WORD	i ₀	i ₁	i ₂	i ₃	i ₄	i ₅	i ₆	i ₇	i ₈	i ₉	i ₁₀	i ₁₁	i ₁₂	i ₁₃	i ₁₄	i ₁₅	i ₁₆	i ₁₇	i ₁₈	i ₁₉	i ₂₀
1st	K ₀	K ₁	K ₂	K ₃	K ₄	K ₅	K ₆	K ₇	K ₈	K ₉	K ₁₀	K ₁₁	C ₀	F ₀	F ₁	N ₀	N ₁	N ₂	N ₃	N ₄	N ₅
2nd	a ₀	a ₁	a ₂	a ₃	b ₀	b ₁	b ₂	b ₃	c ₀	c ₁	c ₂	c ₃	d ₀	d ₁	d ₂	d ₃	e ₀	e ₁	e ₂	e ₃	f ₀
3rd	f ₁	f ₂	f ₃	g ₀	g ₁	g ₂	g ₃	h ₀	h ₁	h ₂	h ₃	i ₀	i ₁	i ₂	i ₃	j ₀	j ₁	j ₂	j ₃	k ₀	k ₁
4th	k ₂	k ₃	l ₀	l ₁	l ₂	l ₃	m ₀	m ₁	m ₂	m ₃	n ₀	n ₁	n ₂	n ₃	o ₀	o ₁	o ₂	o ₃	q ₀	q ₁	q ₂
5th	q ₃	r ₀	r ₁	r ₂	r ₃	s ₀	s ₁	s ₂	s ₃	t ₀	t ₁	t ₂	t ₃	u ₀	u ₁	u ₂	u ₃	v ₀	v ₁	v ₂	v ₃
...																					
nth	i	i	i	i	i	i	i	i	i	i	i	i	i	i	i	i	i	i	i	i	i

Table 57 Vector type V = 000 all fragments

MESSAGE WORD	i ₀	i ₁	i ₂	i ₃	i ₄	i ₅	i ₆	i ₇	i ₈	i ₉	i ₁₀	i ₁₁	i ₁₂	i ₁₃	i ₁₄	i ₁₅	i ₁₆	i ₁₇	i ₁₈	i ₁₉	i ₂₀
1st	K ₀	K ₁	K ₂	K ₃	K ₄	K ₅	K ₆	K ₇	K ₈	K ₉	C ₀	F ₀	F ₁	N ₀	N ₁	N ₂	N ₃	N ₄	N ₅	s ₀	s ₁
2nd	a ₀	a ₁	a ₂	a ₃	a ₄	a ₅	a ₆	b ₀	b ₁	b ₂	b ₃	b ₄	b ₅	b ₆	c ₀	c ₁	c ₂	c ₃	c ₄	c ₅	c ₆
3rd	d ₀	d ₁	d ₂	d ₃	d ₄	d ₅	d ₆	e ₀	e ₁	e ₂	e ₃	e ₄	e ₅	e ₆	f ₀	f ₁	f ₂	f ₃	f ₄	f ₅	f ₆
4th	g ₀	g ₁	g ₂	g ₃	g ₄	g ₅	g ₆	h ₀	h ₁	h ₂	h ₃	h ₄	h ₅	h ₆	i ₀	i ₁	i ₂	i ₃	i ₄	i ₅	i ₆
5th	j ₀	j ₁	j ₂	j ₃	j ₄	j ₅	j ₆	k ₀	k ₁	k ₂	k ₃	k ₄	k ₅	k ₆	l ₀	l ₁	l ₂	l ₃	l ₄	l ₅	l ₆
...																					
nth	i	i	i	i	i	i	i	i	i	i	i	i	i	i	i	i	i	i	i	i	i

FLEX™ roaming decoder II

PCD5013

8.7.9 BLOCK INFORMATION WORD PACKET (ID = 00H)

The FLEX™ protocol allows systems to transmit time information using block information words. The information carried in a BIW depends on the BIW word format (Table 58). The first BIW of each phase, carrying information about the frame structure, is used internally by the PCD5013 and is never transmitted to the host with the exception of the system collapse which is sent to the host when the PCD5013 is in manual collapse mode.

The PCD5013 can be configured to send all time and date BIWs (BIW001, BIW010 and BIW101) to the host by setting the SBI bit in the control packet, see Section 8.4.7. All block information words 2-4 can be optionally sent to the host by setting the ABI bit in the roaming control packet. When the SBI or ABI bit is set and a BIW is received with an uncorrectable number of bit errors, the PCD5013 sends the BIW to the host indicating that the codeword was received in error (regardless of the BIW word format). The PCD5013 does not support decoding of vector and message words associated with the data/system message BIW101.

System providers supporting local time transmissions are required to transmit at least one time related BIW in each phase transmitted in frame 0, cycle 0. The time transmitted is the local time for the transmitted time zone and refers to the actual time at the leading edge of the first bit of sync 1 of frame 0 of the current cycle. See Tables 58, 59, and 60 and the following bit definitions of the time related BIWs.

e: error (Table 58). Set if more than 2-bit errors are detected in the word or if the check character calculation fails after error correction has been performed.

p: phase (Table 58), is the phase on which the BIW was found (0 = A, 1 = B, 2 = C and 3 = D).

x: unused bits (Table 58). Their value is not guaranteed.

f: word format type (Table 58). The value of these bits modify the meaning of the s bits in this packet as described in Table 59.

s: BIW information bits (Table 58). The definition of these bits depend on the f bits in this packet.

Table 58 BIW packet bit assignments

BYTE	BIT 7	BIT 6	BIT 5	BIT 4	BIT 3	BIT 2	BIT 1	BIT 0
3	0	0	0	0	0	0	0	0
2	e	p ₁	p ₀	x	x	f ₂	f ₁	f ₀
1	x	x	s ₁₃	s ₁₂	s ₁₁	s ₁₀	s ₉	s ₈
0	s ₇	s ₆	s ₅	s ₄	s ₃	s ₂	s ₁	s ₀

Table 59 BIW definitions

f ₂	f ₁	f ₀	s ₁₃	s ₁₂	s ₁₁	s ₁₀	s ₉	s ₈	s ₇	s ₆	s ₅	s ₄	s ₃	s ₂	s ₁	s ₀	DESCRIPTION
0	0	0	i ₈	i ₇	i ₆	i ₅	i ₄	i ₃	i ₂	i ₁	i ₀	C ₄	C ₃	C ₂	C ₁	C ₀	Local ID, Coverage Zone ⁽¹⁾
0	0	1	m ₃	m ₂	m ₁	m ₀	d ₄	d ₃	d ₂	d ₁	d ₀	Y ₄	Y ₃	Y ₂	Y ₁	Y ₀	month/day/year ⁽²⁾
0	1	0	S ₂	S ₁	S ₀	M ₅	M ₄	M ₃	M ₂	M ₁	M ₀	H ₄	H ₃	H ₂	H ₁	H ₀	second/minute/hour ⁽²⁾
0	1	1	Reserved by FLEX™ protocol for future use ⁽¹⁾														
1	0	0	Reserved by FLEX™ protocol for future use ⁽¹⁾														
1	0	1	z ₉	z ₈	z ₇	z ₆	z ₅	z ₄	z ₃	z ₂	z ₁	z ₀	0	1	0	X	system message; ⁽²⁾
1	1	0	Reserved by FLEX™ protocol for future use ⁽¹⁾														
1	1	1	c ₈	c ₇	c ₆	c ₅	c ₄	c ₃	c ₂	c ₁	c ₀	T ₄	T ₃	T ₂	T ₁	T ₀	Country Code, Traffic Management Flags ⁽¹⁾

Notes

- 1. Decoded only if ABI bit is set.
- 2. Decoded only if SBI or ABI bit is set.

FLEX™ roaming decoder II

PCD5013

i: Local ID (Table 59). A Local ID along with the Coverage Zone, Country Code and Traffic Management Flags define a specific simulcast coverage area for SSID roaming.

C: Coverage Zone (Table 59). A Coverage Zone along with a Local ID, Country Code and Traffic Management Flags define a specific simulcast coverage area for SSID roaming.

m: month field (Table 59). 0001 to 1100 binary correspond to January to December in month order.

d: day field (Table 59). 00001 to 11111 binary correspond to 1 to 31 days in the month.

Y: year field (Table 59). This represents the year with modulo 32 arithmetic. 00000 to 11111 binary representing years 1994 to 2025 and 2026 to 2057.

S: seconds field (Table 59). This represents a coarse value of the seconds field. These bits represent the seconds in 1/8 minute (7.5 s) increments. 000 to 111 binary correspond to 0 to 52.5 seconds.

M: minute field (Table 59). 000000 to 111011 binary correspond to 0 to 59 minutes.

H: hour field (Table 59). 00000 to 10111 binary correspond to 0 to 23 hours.

L: daylight savings time (Table 59). When this bit is set, the time being transmitted is local standard time. When it is clear, the time being transmitted is daylight savings time.

z: time zone (Table 59). These bits indicate the time zone for the time which is being transmitted. The offset from GMT is the offset for local standard time. Table 60 describes the values for z.

c: Country code (Table 59) identified in the CCITT (ITU-T) Standard E.212, Annex A.

T: Traffic management flags (Table 59). indicate a possible assignment of any combination of 4 groups of traffic to an RF channel. Each roaming subscriber unit, after finding an RF channel which matches its programmed Local ID, Coverage Zone and Country Code responds to only one of the 4 Traffic Management Flags. When one or more of the transmitted Traffic Management Flags are set to 0, subscriber units assigned to those traffic groups must find another RF channel with the same LID, Coverage Zone and Country Code information with its assigned Traffic Flag set to 1.

Table 60 Time zone values

z ₄	z ₃	z ₂	z ₁	z ₀	TIME ZONE
0	0	0	0	0	GMT
0	0	0	0	1	GMT + 01:00h
0	0	0	1	0	GMT + 02:00h
0	0	0	1	1	GMT + 03:00h
0	0	1	0	0	GMT + 04:00h
0	0	1	0	1	GMT + 05:00h
0	0	1	1	0	GMT + 06:00h
0	0	1	1	1	GMT + 07:00h
0	1	0	0	0	GMT + 08:00h
0	1	0	0	1	GMT + 09:00h
0	1	0	1	0	GMT + 10:00h
0	1	0	1	1	GMT + 11:00h
0	1	1	0	0	GMT + 12:00h
0	1	1	0	1	GMT + 03:30h
0	1	1	1	0	GMT + 04:30h
0	1	1	1	1	GMT + 05:30h

z ₄	z ₃	z ₂	z ₁	z ₀	TIME ZONE
1	0	0	0	0	reserved
1	0	0	0	1	GMT + 05:45h
1	0	0	1	0	GMT + 06:30h
1	0	0	1	1	GMT + 09:30h
1	0	1	0	0	GMT – 03:30h
1	0	1	0	1	GMT – 11:00h
1	0	1	1	0	GMT – 10:00h
1	0	1	1	1	GMT – 09:00h
1	1	0	0	0	GMT – 08:00h
1	1	0	0	1	GMT – 07:00h
1	1	0	1	0	GMT – 06:00h
1	1	0	1	1	GMT – 05:00h
1	1	1	0	0	GMT – 04:00h
1	1	1	0	1	GMT – 03:00h
1	1	1	1	0	GMT – 02:00h
1	1	1	1	1	GMT – 01:00h

FLEX™ roaming decoder II

PCD5013

8.8 Message reception

8.8.1 FLEX™ SIGNAL STRUCTURE

The FLEX™ signal transmitted on the radio channel (see Fig.18) consists of a series of four minute cycles, each cycle having 128 frames at 1.875 seconds per frame. A pager may be assigned to process any number of the frames. Battery saving is performed for frames which are not assigned. The FLEX™ signal can assign additional frames to the pager using collapse, fragmentation, temporary addressing or carry-on information within the FLEX™ signal.

Each FLEX™ frame has a synchronization portion followed by an eleven block data portion, each block lasting 160 milliseconds. The synchronization portion indicates the rate at which the data portion is transmitted, 1 600, 3 200 or 6 400 bits per second (bps). The 1 600 bps rate is transmitted at 1 600 symbols per second (sps) using 2 level FSK modulation and consists of a single phase of information at 1 600 bps, phase-A. The 3 200 bps rate is transmitted at either 1 600 sps using 4 level FSK modulation or 3 200 sps using 2 level FSK modulation and consists of two concurrent phases of information at 1 600 bps, phase-A and phase-C. The 6 400 bps rate is transmitted at 3 200 sps using 4 level FSK modulation and consists of four concurrent phases of information at 1 600 bps (phase-A, -B, -C and -D).

Each block has eight interleaved words per phase, thus there are 88 codewords (numbered 0 to 87) per phase in every frame. Each word has information contained within an error correcting code which allows for bit error correction and detection. The 88 words in each phase are organized into a block information field, an address field, a vector field, a message field, and an idle field. The boundaries between the fields are independent of the block boundaries. Furthermore, at 3 200 and 6 400 bps, the information in one phase is independent of the information in a concurrent phase, and the boundaries between the fields of one phase are unrelated to the boundaries between the fields in a concurrent phase.

The synchronization portion consists of: a first sync signal at 1 600 bps; a frame information word having the frame number 0 to 127 (7 bits) and the cycle number 0 to 14 (4 bits); and a second sync signal at the data rate of the interleaved portion.

The block information field contains BIWs. These can be used for determining time and date information and certain paging system information.

The address field contains addresses assigned to paging devices. Addresses are used to identify information sent to individual paging devices and/or groups of paging devices. Information in the FLEX™ signal may indicate that an address is a priority address. An address may be either a short (one word) address or a long (two word) address. An address may be a tone-only address in which case there is no additional information associated with the address. If an address is not a tone-only address, then there is an associated vector word in the vector field. Information in the FLEX™ signal indicates the location of the vector word in the vector field associated with the address. A pager may perform battery saving at the end of the address field when its address(es) is not detected.

The vector field consists of a series of vector words. Depending upon the type of message, a vector word (or words in the case of a long address) may either contain all of the information necessary for the message, or indicate the location of message words in the message field comprising the message information. Short addresses have one associated vector word in the vector field. Long addresses have one associated vector word in the vector field directly followed by the first message codeword of the call.

The message field consists of a series of information words containing message information. The message information may be formatted in ASCII, BCD or binary depending upon the message type.

FLEX™ roaming decoder II

PCD5013

8.8.2 FLEX™ ROAMING STRUCTURE

The FLEX™ paging protocol defines two methods for supporting roaming pagers:

- Simulcast System identification (SSID) roaming, where pagers scan a pre-programmed set of channels and identify each simulcast area which is to be included in the desired roaming area
- Network identification (NID) roaming where pagers examine all frequencies within the subscriber units's range for the presence of a marker (NID). The NID indicates whether the channel is affiliated with the desired roaming network.

A Simulcast System Identifier (SSID) is carried in the Block Identification Field. A SSID is composed of a Local Identifier (LID), a Coverage Zone, a Country Code and Traffic Management Flags. These components define a simulcast area which is unique worldwide. An LID is unique within a Country Code and cannot be reassigned to another operator in any paging RF band.

A Network Identifier (NID) is carried in the address and vector fields. NIDs are unique within an RF band and are composed of a Network Address, a Service Area Identifier, a Multiplier and Traffic Management Flags. An RF channel may combine roaming traffic from several different Service Providers by carrying their respective NIDs.

NIDs and SSIDs are referred to as Roaming IDs.

In addition pagers may be programmed to search for calls on a channel without finding an SSID or an NID in order to receive calls on that RF channel. In this case the Roaming ID associated with the channel is programmed within the pager as having ANY ID.

8.8.2.1 Example Roaming System

Figure 17 shows six RF frequencies servicing three cities. NID₁ is used to identify a network covering all three cities and SSIDs A, B and C identify the specific simulcast areas covering cities A, B and C. In city C, the large amount of traffic has resulted in the service provider activating additional RF channels identified as a, b, d, e and f. In this example, the pager is assigned Roaming IDs as follows:

- SSID_C
- NID₁
- traffic management group 2 (0100)

Thus the pager will monitor frequencies as follows:

- f_b when in the area of city A
- f_c when in the area of city B
- f_d when in the area of city C.

For further information on FLEX™ Roaming, see the "FLEX™ specification G1.9".

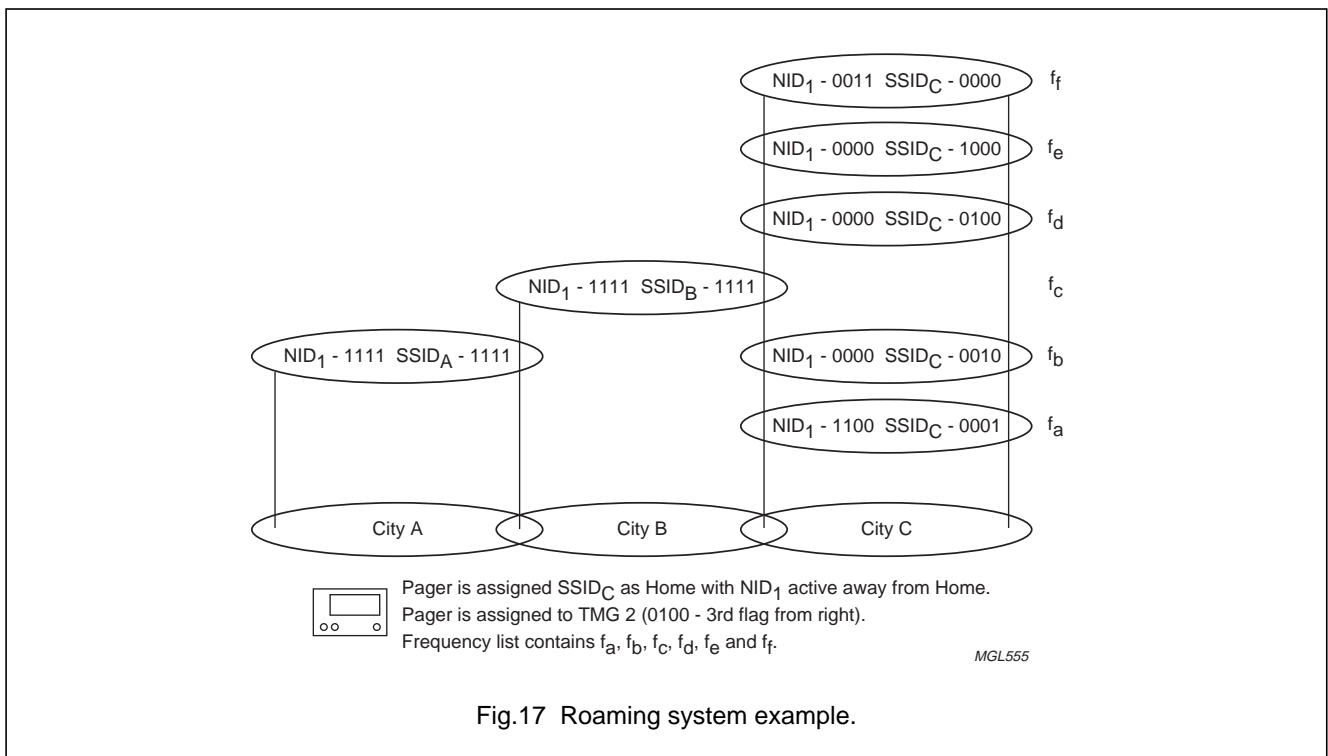


Fig.17 Roaming system example.

FLEX™ roaming decoder II

PCD5013

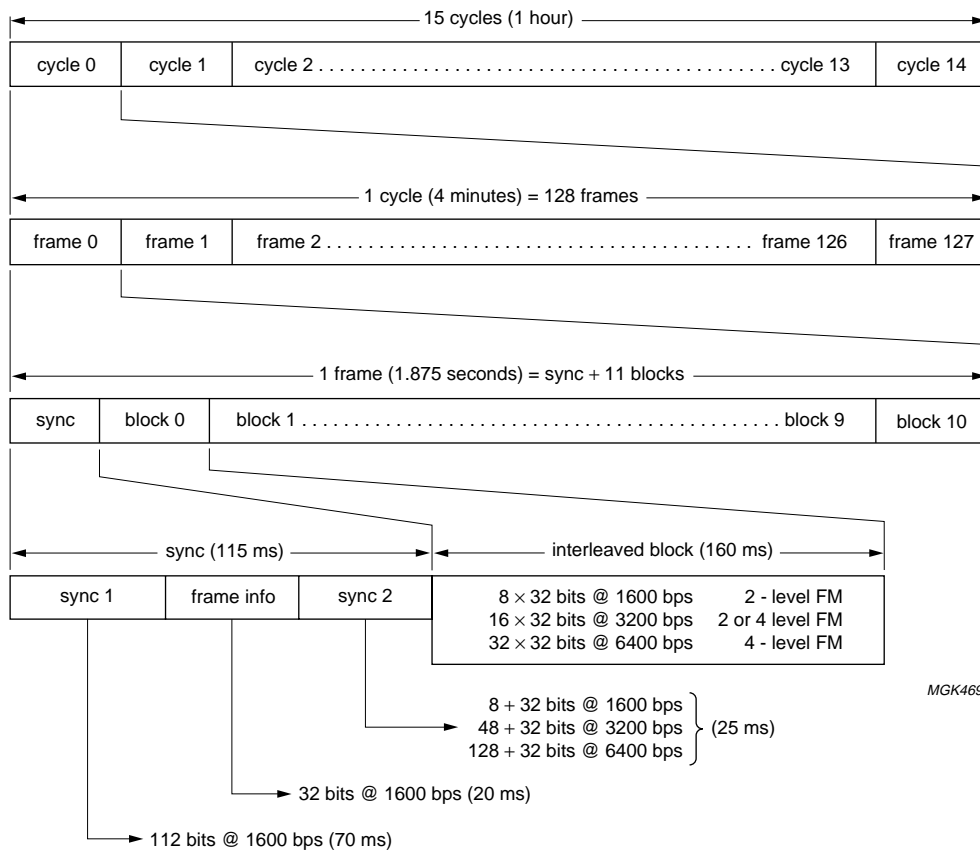


Fig.18 FLEX™ signal structure.

FLEX™ roaming decoder II

PCD5013

8.8.3 MESSAGE BUILDING

The PCD5013 sends data from the FLEX™ signal to the host in packets. Data is transmitted one block at a time, and one phase at a time. For a 2 phase transmission, information in block 0 phase-A is converted into packets and sent to the host, then information in block 0 phase-C is sent to the host followed by information in block 1 phase-A and then information in block 1 phase-C etc. Codewords for different calls may therefore be interleaved, so the host must use the phase and word number embedded in each packet to associate that packet with a particular call.

The phase and word number of the vector packet provides a unique key which allows the host to associate all the data for a particular call within a frame. The host must then use information embedded in the vector word to calculate what message word locations are associated with the vector.

Table 61 FLEX™ transmission sequence

BLOCK	WORD	PHASE-A	PHASE-C
0	0	BIW1; note 1	BIW1; note 1
	1	addr; note 2	BIW
	2	addr; note 2	BIW
	3	addr ₁	addr; note 2
	4	addr ₂	addr; note 2
	5	vect; note 2	long addr ₃ (cw 1)
	6	vect; note 2	long addr ₃ (cw 2)
	7	vect ₁	addr; note 2
1	8	vect ₂	vect; note 2
	9	mess ₁ (cw 1)	vect; note 2
	10	mess ₁ (cw 2)	vect ₃ ; note 3
	11	mess ₁ (cw 3)	mess ₃ (cw 1); note 4
	12	mess ₂ (cw 1)	mess; note 2
	13	mess ₂ (cw 2)	mess; note 2
	14	mess ₂ (cw 3)	mess ₃ (cw 2)
	15	mess ₂ (cw 4)	mess ₃ (cw 3)

Notes

1. Phases begin with BIW1, which is not sent to the host.
2. Codewords not addressed to the pager.
3. Vector for long address indicates the location of the second and third message words.
4. For long addresses, the first message word immediately follows the vector.

Tables 61 and 62 show an example of receiving three messages (possibly portions of fragmented or group messages), and two BIW packets in the first two blocks of a 2 phase 3200 bps FLEX™ frame in case of an any-phase pager. Table 61 shows the block number, word number and word content of both phase-A and phase-C (subscripts indicate the call number). In a 6400 bps FLEX™ frame, there would be four phases: A, B, C and D; in a 1600 bps signal there would be only phase-A. Table 62 shows the sequence of packets transmitted to the host.

Table 62 PCD5013 packet sequence

PACKET	PHASE	PACKET TYPE	WORD NO.	COMMENT
1	A	address	7	note 1
2	A	address	8	note 1
3	A	vector	7	pointer to phase-A word 9
4	C	BIW	n.a.	note 2
5	C	BIW	n.a.	note 2
6	C	long address	10	note 1
7	A	vector	8	pointer to phase-A word 12
8	A	message	9	mess ₁ (cw 1)
9	A	message	10	mess ₁ (cw 2)
10	A	message	11	mess ₁ (cw 3)
11	A	message	12	mess ₂ (cw 1)
12	A	message	13	mess ₂ (cw 2)
13	A	message	14	mess ₂ (cw 3)
14	A	message	15	mess ₂ (cw 4)
15	C	vector	10	pointer to phase-A word 14
16	C	message	11	mess ₃ (cw 1)
17	C	message	14	mess ₃ (cw 2)
18	C	message	15	mess ₃ (cw 3)

Notes

1. Word number in an address is that of the corresponding vector.
2. BIW sent if BIW reception enabled by SBI bit in the control packet.

FLEX™ roaming decoder II

PCD5013

8.8.4 ALL FRAME MODE (ID = 03H)

The FLEX™ protocol requires pagers to be capable of receiving data in frames other than pagers' programmed frames and frames implied by collapse values. This is achieved in the PCD5013 by all frame mode (AFM) which is required to implement the following features:

- Fragmented messages (Section 8.8.6)
- Temporary addresses (Section 8.8.5).

The PCD5013 enters AFM automatically and when in AFM, it decodes every FLEX™ frame irrespective of whether it is a programmed frame. In AFM the PCD5013 sends a status packet with the end-of-frame (EOF) bit set at the end of every frame. In addition the host can force AFM by sending an AFM packet with the force all frame mode (FAF) bit set.

The PCD5013 contains a number of counters which are used to track the number of active calls requiring AFM. These consist of an AFM counter for tracking the number of active fragmented messages and 16 temporary address enable (TAE) counters which count the number of times each temporary address has been enabled. These counters are automatically incremented when a corresponding vector is received, i.e.:

- A short instruction vector indicating a temporary address has been assigned to this pager
- A vector indicating a message for this pager with a format which allows fragmentation.

The host must determine when no further data can be received for a message associated with a temporary address, or a fragmented message, and send an AFM packet, see Table 63, to decrement the appropriate counter.

AFM remains active until the host determines that no further data can be sent to it outside programmed frames, i.e:

- The TAE counters are all zero indicating that no further temporary message data is expected
- The AFM counter is zero indicating that no further data is expected for fragmented messages
- The FAF bit is clear.

Both the AFM counter and the TAE counters can only be incremented internally by the PCD5013 and can only be decremented by the host via AFM packet. Neither the TAE counters nor the AFM counter can be incremented past the value 127 (it does not roll-over) or decremented past the value 0. The TAE counters and the AFM counter are cleared on a reset and when the decoder is turned off.

DAF: decrement all frame mode counter, see Table 63. Setting this bit decrements the AFM counter by one. If a packet is sent with this bit clear, the AFM counter is not affected. Value after reset = 0.

FAF: force all frame mode, see Table 63. Setting this bit forces the PCD5013 to enter AFM. If this bit is clear, the PCD5013 may or may not be in AFM depending on the status of the AFM counter and the TAE counters. This functionality may be useful in acquiring transmitted time information. Value after reset = 0.

DTA: decrement temporary address enable counter, see Table 63. When a bit in this word is set, the corresponding TAE counter is decremented by one. When a bit is clear, the corresponding TAE counter is not affected. When a TAE counter reaches zero, the temporary address is disabled. Value after reset = 0.

Table 63 All frame mode packet bit assignments

BYTE	BIT 7	BIT 6	BIT 5	BIT 4	BIT 3	BIT 2	BIT 1	BIT 0
3	0	0	0	0	0	0	1	1
2	DAF	FAF	0	0	0	0	0	0
1	DTA ₁₅	DTA ₁₄	DTA ₁₃	DTA ₁₂	DTA ₁₁	DTA ₁₀	DTA ₉	DTA ₈
0	DTA ₇	DTA ₆	DTA ₅	DTA ₄	DTA ₃	DTA ₂	DTA ₁	DTA ₀

FLEX™ roaming decoder II

PCD5013

8.8.5 TEMPORARY ADDRESSES

FLEX™ allows dynamic group calls in which a common message is sent to a group of paging devices. This is achieved by assigning the same temporary address (TA) to each pager in the group using the pagers' personal addresses and the short instruction vector. The short instruction vector causes the TA to be active in the next occurrence of a specific frame (if the designated frame is equal to the present frame the host is to interpret this as the next occurrence of this frame in the following cycle).

FLEX™ specifies sixteen TAs which remain valid for one message starting in the specified frame and remaining valid throughout the following frames to the completion of the message. The FLEX™ protocol restricts the placement of TAs such that once assigned to a specific frame they cannot occur in the FLEX™ transmission before that frame.

The PCD5013 uses AFM (Section 8.8.4) to allow the reception of TAs outside programmed frames.

The sequence for the host and the PCD5013 to operate a TA is:

1. The PCD5013 receives an address codeword followed by a vector codeword with $V_2V_1V_0 = 001$ and $I_2I_1I_0 = 000$ indicating a short instruction vector which assigns a TA to this pager.
2. The PCD5013 passes the address and vector codeword to the host as packets and increments the corresponding TA counter and enters AFM.
3. The host examines the vector packet to identify which TA is assigned and the frame in which the TA is expected.
4. The PCD5013 continues to decode all of the frames and passes any address information, vector information and message information to the host followed by a status packet indicating the end of each frame and the current frame number.
5. The host processes data packets received while the PCD5013 is in AFM. It uses the AFM packet to decrement the appropriate TA counter when no further data can be expected for the corresponding TA. This occurs when:
 - a) The TA is not found in the assigned frame.
 - b) The TA is found in the frame it was assigned and was not a fragmented message.
 - c) The TA is found in the assigned frame was a fragmented message and the rules for message fragmentation (Section 8.8.6) indicate that no further data can be expected. In this case the host must send an AFM packet with both the DAF and the appropriate DTA bits set in order to terminate both the fragmented message and the TA.
6. The above operation is repeated for every enabled TA.

FLEX™ roaming decoder II

PCD5013

8.8.6 MESSAGE FRAGMENTATION

The FLEX™ frame length limits the maximum number of message codewords that can be associated with an address codeword. Messages longer than 84 codewords must be sent as several fragments. The PCD5013 uses AFM (Section 8.8.4) to allow the reception of fragmented messages.

The fragments of a message are sent in sequence. Each fragment contains a checksum character to detect errors in the fragment, a message number to identify which message the fragment is a part, and the continue bit which either indicates that more fragments are in queue or that the last fragment has been received. Each fragment also contains a fragment number starting with 3 for the first fragment and then incremented through the sequence 0, 1 or 2 in subsequent fragments. This allows the detection of missing fragments.

Message fragments may not be separated by more than 32 frames (1 minute) or 128 frames (4 minutes), as indicated by the service provider. During the reception of a fragmented message, the PCD5013 examines every frame for additional fragments until the last fragment is encountered or the host determines that more than 32 or 128 frames have elapsed since the reception of the previous message fragment.

The sequence for the host and the PCD5013 to receive a fragmented message is as follows:

1. The PCD5013 receives an address codeword followed by a vector indicating one of:
 - a) Secure (vector type = 000)
 - b) Alphanumeric (vector type = 101)
 - c) Hexadecimal/binary (vector type = 110).

The PCD5013 passes the address, vector and message codewords to the host as packets and increments its internal AFM counter and enters AFM.

2. While in AFM, the PCD5013 decodes all of the frames passing any address, vector and message information to the host followed by a status packet indicating the end of each frame and the current frame number.
3. Every time the host receives a secure, alphanumeric or hexadecimal/binary vector packet, it inspects the message continued flag (C) in the first message packet:
 - a) If this is not a fragmented message (C is clear and no fragmented messages are in progress for this address and message number), then the host decrements the AFM counter by sending an AFM packet to the PCD5013 with the DAF bit set.

If the fragmented message was received on a temporary address, then the appropriate DTA bit should also be set in the AFM packet.

- b) If this is the first fragment of a fragmented message (C is set and no fragmented messages are in progress for this address and message number), then the host does not decrement the AFM counter and expects further fragments to be received for this address in subsequent frames.
 - c) If this is the second or subsequent fragment of a fragmented message and further fragments will follow, (C is set and a fragmented message is in progress for this address and message number), then the host decrements the AFM counter by sending an AFM packet to the PCD5013 with the DAF bit set.
 - d) If this is the last fragment of a fragmented message, (C is clear and a fragmented message is in progress for this address and message number), then the host decrements the AFM counter by 2, sending 2 AFM packets to the PCD5013 with the DAF bit set. If the fragmented message was received on a TA, then one of these AFM packets should also have the appropriate DTA bit set.
4. If, on receiving a status packet, the host determines that more than 32 or 128 frames have elapsed since the reception of a fragment for a fragmented message then the host decrements the AFM counter by sending an AFM packet to the PCD5013 with the DAF bit set. If the fragmented message was received on a TA, then the appropriate DTA bit should also be set in the AFM packet.
 5. When no fragmented messages are in progress (the AFM counter = 0) and no TAs are pending (all TA counters = 0) and the FAF bit is clear in the AFM packet, the PCD5013 leaves AFM.

As an alternative to the above scheme, the host may choose to decrement the AFM counter at the end of the entire message by decrementing it once for each fragment received. This method is limited to a maximum of 127 fragments.

Tables 64 and 65 show examples of message reception with and without message fragmentation.

FLEX™ roaming decoder II

PCD5013

Table 64 Alphanumeric message without fragmentation

PACKET		PHASE	AFM COUNTER	COMMENT
NUMBER	TYPE			
1st	address 1	A	0	address 1 is received
2nd	vector 1	A	1	vector = alphanumeric type
3rd	message	A	1	message word received; C bit = 0; no more fragments are expected
4th	AFM		0	host writes AFM packet to the PCD5013 with the DAF bit = 1

Table 65 Alphanumeric message with fragmentation

PACKET		PHASE	AFM COUNTER	COMMENT
NUMBER	TYPE			
1st	address 1	A	0	address 1 is received
2nd	vector 1	A	1	vector = alphanumeric type
3rd	message	A	1	message word received; C bit = 1; message is fragmented, more expected
4th	status		1	end of frame indication (EOF = 1)
5th	address 1	B	1	address 1 is received
6th	vector 1	B	2	vector = alphanumeric type
7th	message	B	2	message word received; C bit = 1; message is fragmented, more expected
8th	AFM		1	host writes AFM packet to the PCD5013 with the DAF bit = 1
9th	status		1	end of frame indication (EOF = 1)
10th	address 1	A	1	address 1 is received
11th	vector 1	A	2	vector = alphanumeric type
12th	message	A	2	message word received; C bit = 0; no more fragments are expected
13th	AFM		1	host writes AFM packet to the PCD5013 with the DAF bit = 1
14th	AFM		0	host writes AFM packet to the PCD5013 with the DAF bit = 1

FLEX™ roaming decoder II

PCD5013

8.8.6.1 Fragmentation of non-7-bit character sets

FLEX™ alphanumeric messages can be used to send symbolic characters like Chinese, Kanji, etc. In this case several ASCII characters are used to represent each symbolic character. Enhanced fragmentation (EF) rules are provided by FLEX™ to allow character positions within a fragment to be determined in the event of missing fragments under poor signal conditions.

1. The pager must remove <NUL> characters from the end of fragments (where they are used as fill characters) so that the displayed message is not affected. To determine character boundaries, <NUL> (00H) characters in all other positions must be considered a result of channel errors. This allows each fragment to end with a complete character and does not disrupt pagers which do not follow all the EF rules.
2. The last fragment of a message containing symbolic characters is completed by filling unused character positions with <ETX> (03H) characters or <NUL> characters. When a message ends at exactly the last character position of the last BCH codeword, no additional <ETX> is required.
3. The U and V bits (Table 54) which aid decoding, are available in all fragments following the initial fragment. In the first fragment the message starts in the default character mode (U and V = 10). For subsequent fragments the definition of the U and V field is as shown in Table 66. When the U and V field is 00, characters may be split between fragments. When the U and V field is not 00, each fragment starts on a character boundary with the character mode defined as in Table 66.

8.8.7 MESSAGE CHECKSUMS

FLEX™ provides a message checksum facility for alphanumeric, numeric, hex/binary, and secure messages. The checksum is calculated by summing the information bits of each codeword in the message or message fragment (including control information and termination characters and bits in the last message codeword). Information bits of each codeword are broken into three groups as indicated in Table 67. Bits i_0 , i_8 and i_{16} are the LSBs of each group and bit i_0 is the first bit of the codeword to be transmitted. The 3 groups are for each

Table 67 Bit groups for message checksums

i_0	i_1	i_2	i_3	i_4	i_5	i_6	i_7	i_8	i_9	i_{10}	i_{11}	i_{12}	i_{13}	i_{14}	i_{15}	i_{16}	i_{17}	i_{18}	i_{19}	i_{20}
group 1								group 2								group 3				

codeword are added to form a binary sum. The message checksum is the 1's complement of the LSBs of the binary sum, where the number of bits taken is determined by the message type (Section 8.7.8).

In the case of the 6-bit message checksum used in numeric messages, a binary sum is first calculated as described above. The binary sum is then truncated to its 8 LSBs, then the 2 MSBs are shifted right by 6 bits and added to the least significant 6 bits to form a new binary sum. The 6 LSBs of this new sum are taken and 1's complemented to form the 6-bit message checksum.

8.8.8 MESSAGE NUMBERING

FLEX™ messages may be numbered (Section 8.7.8), in this case the system controller assigns message numbers (for each paging address separately) starting at 0 and progressing up to a maximum of 63 in numerical order. The maximum roll-over number is defined in the pager code plug to accommodate values set in the system infrastructure. When message numbers are not received in order, the subscriber should assume a message has been missed. When a message number is missed, the subscriber or the pager may determine the missing message number(s) allowing a request to be made for retrieval.

Messages which can be received out of sequence are indicated by clearing the message retrieval flag R. Messages with R cleared number should not be included in the missed message calculation.

In case of fragmented messages, this number is also used to identify fragments of the same message. Multiple messages to the same address must have separate message numbers.

Table 66 Fragmentation control bit definitions

U_0	V_0	DEFINITION
0	0	EF not supported in controller
0	1	reserved (for a second alternate character mode)
1	0	default character mode start position 1
1	1	alternate character mode start position 1

FLEX™ roaming decoder II

PCD5013

8.8.9 USING THE RECEIVER SHUTDOWN PACKET

8.8.9.1 Operation of Roaming features

A roaming pager scans channels in a frequency list to determine the channel or channels to monitor. The pager matches the Roaming IDs (SSIDs, NIDs or any IDs) transmitted on monitored channels against those contained in the pager's Roaming ID list. Each item in the Roaming ID list is assigned a priority to ensure determinative behaviour for roaming pagers.

Implementation of a Roaming Pager using the PCD5013 is greatly simplified using the FLEX™ software.

Items in the Roaming ID list are assigned priorities to arbitrate in the case where a pager is in a coverage in which there is more than one RF channel. In the case that a pager receives data from two channels both of Roaming Identifiers of the highest priority, it can enter one of two modes of operation (as determined by the pager programming).

Channel scanning is done to determine whether to switch channel because there is a channel of higher priority than the currently monitored channel.

- **Global scanning:** the scan of all RF channels after switch on. Once the global scan is completed, the pager starts to monitor all channels with a programmed priority which is equal to or higher than the highest priority channel on which a FLEX™ transmission was encountered. If no FLEX™ transmission is encountered the pager must restart the global scan after some battery saving period.
- **Background scanning:** scanning done to determine whether the pager one of the monitored RF channels carries a FLEX™ signal with higher priority than the currently monitored channel.

Synchronous mode:

$$\text{TimeToWarmupStart} \geq (\text{TNF} \times 80 \text{ ms}) + (\text{SkippedFrames} \times 1874.375 \text{ ms}) + (\text{ReceiverOffTime} - 167.5 \text{ ms})$$

$$\text{TimeToTasksDisabled} \geq (\text{TNF} \times 80 \text{ ms}) + (\text{SkippedFrames} \times 1874.375 \text{ ms}) + (\text{ReceiverOffTime} - 247.5 \text{ ms})$$

Asynchronous mode:

$$\text{TimeToWarmupStart} \geq [(\text{TNF} - 2) \times 80 \text{ ms}] + \text{ReceiverOffTime}$$

$$\text{TimeToTasksDisabled} \geq [(\text{TNF} - 3) \times 80 \text{ ms}]$$

Where:

TNF (Time to Next Frame): value from the receiver shutdown packet. SkippedFrames: the number of frames that will not be decoded. Calculated from the Current Frame (CF) and Next Needed Frame (NAF) fields in the receiver shutdown packet (e.g. if CF is 10 and NAF is 12, then SkippedFrames is 1). ReceiverOffTime: the time programmed in the receiver off setting packet.

This can occur either because the pager has entered a new area or because the Roaming IDs or Traffic Management Flags change.

A pager can stop monitoring a channel either because the channel's Roaming ID changes or because no signal has been encountered on the channel for a given period. When all the monitored channels have been lost, the pager must start a global scan.

The PCD5013 sends information to the host in the Receiver Shutdown Packet (see Section 8.4.12) every time it shuts the receiver down. This allows the host to calculate whether it will have enough time to switch frequencies before the receiver next switches on (see Section 8.8.9.2).

The PCD5013 allows the identification of Roaming IDs by the support for the reception of SSID Block Information words and Short Messaging Vectors (see Sections 8.7.5 and 8.7.9)

8.8.9.2 Calculating time left

The receiver shutdown packet gives timing information to the host. Two times are of particular interest when implementing a roaming algorithm.

TimeToWarmUpStart: Defined as the amount of time there is before the receiver starts to warm-up (i.e. transition from the off state to the first warm-up state).

TimeToTasksDisabled: Defined as the amount of time the host has to complete any host initiated tasks (e.g. by setting SND or SAS in the roaming control packet).

The formulae for calculating these times are shown below and depend on whether the PCD5013 is in Synchronous mode or Asynchronous mode.

FLEX™ roaming decoder II

PCD5013

8.8.9.3 Calculating how long tasks take

Since the TimeToTaskDisabled discussed in the previous section limits how much the host can do while the PCD5013 is battery saving, it is necessary for the host to know how long it can take the PCD5013 to perform a task.

The formulae below calculate how long the two types of host initiated tasks take to complete as measured from the last SPI clock of the packet that initiates the task to the time the receiver shutdown sequence starts. Note that the receiver shutdown sequence must start before tasks are disabled. The following definitions are used:

TotalWarmUpTime: The sum of the times programmed for the used warm-up steps plus the time programmed for the 3200 sps Sync Setting in the receiver control configuration packets

AST: The value configured using the timing control packet.

Equation (1) calculates how long it takes to complete a Noise Detect started by setting the SND bit in the roaming control packet. This formula assumes that:

- the noise detect was performed while in synchronous mode OR
- the noise detect was performed in asynchronous mode and did not find FLEX™ signal OR
- the noise detect found FLEX™ signal but the DAS bit of the roaming control packet was set.

Equation (2) calculates how long it will take to complete an A-word search initiated by setting the SAS bit in the roaming control packet. This formula assumes that the A-word search failed to find roaming FLEX™ channel.

Equation (3) calculates how long it will take to complete a Noise Detect/A-word search combination. This can occur when the noise detect is performed while in asynchronous mode, the noise detect finds FLEX™ signal, and the DAS bit of the roaming control packet is not set.

$$\text{TimeToPerformNoiseDetect} \leq \text{TotalWarmUpTime} + 82 \text{ ms} \quad (1)$$

$$\text{TimeToPerformAwordSearch} \leq \text{TotalWarmupTime} + \text{AST} + 47 \text{ ms} \quad (2)$$

$$\text{TimeToPerformBoth} \leq \text{TotalWarmUpTime} + \text{AST} + 127 \text{ ms} \quad (3)$$

FLEX™ roaming decoder II

PCD5013

9 LIMITING VALUES

In accordance with the absolute maximum rating system (IEC 134).

SYMBOL	PARAMETER	CONDITIONS	MIN.	MAX.	UNIT
V_{DD}	supply voltage	note 1	-0.5	4.0	V
I_{DD}	supply current		-	50	mA
I_I	DC input current (any input)		-10	+10	mA
I_O	DC output current (any output)		-10	+10	mA
V_I	input voltages (all inputs)	note 2	-0.5	$V_{DD} + 0.5$	V
P_{tot}	total power dissipation		-	300	mW
P_O	power dissipation per output		-	10	mW
T_{amb}	operating ambient temperature		-25	+70	°C
T_{stg}	storage temperature		-65	+150	°C

Notes

- V_{DD1} and V_{DD2} respectively and V_{SS1} and V_{SS2} must be connected at the same potential.
- $V_{I(max)} = 4.0$ V.

10 HANDLING

Inputs and outputs are protected against electrostatic discharge in normal handling. However, to be totally safe, it is desirable to take normal precautions appropriate to handling MOS devices.

11 THERMAL CHARACTERISTICS

SYMBOL	PARAMETER	CONDITIONS	VALUE	UNIT
$R_{th(j-a)}$	thermal resistance from junction to ambient	in free air	90	K/W

FLEX™ roaming decoder II

PCD5013

12 DC CHARACTERISTICS

$T_{amb} = -25$ to $+70$ °C; $V_{DD} = 2.2$ V; $f = 76.8$ kHz; unless otherwise specified.

SYMBOL	PARAMETER	CONDITIONS	MIN.	TYP.	MAX.	UNIT
Supply						
V_{DD}	supply voltage		1.8	2.2	3.6	V
$I_{DD(stby)}$	standby supply current	on = 0; note 1	–	4.9	24	μ A
I_{DD}	operating supply current	on = 1; note 2	–	6.0	–	μ A
Digital inputs: OSCP\bar{D}, TEST2, TEST3, RESE\bar{T}, LOBAT, EXTS0, EXTS1, SS and MOSI						
V_{IL}	LOW-level input voltage		–	–	$0.2V_{DD}$	V
V_{IH}	HIGH-level input voltage		$0.8V_{DD}$	–	–	V
I_{LI}	LOW/HIGH-level input leakage current		–	–	1	μ A
Digital outputs: MISO, READ\bar{Y}, CLKOUT, SYMCLK and S0 to S7						
V_{OL}	LOW-level output voltage	$I_{sink} = 0.8$ mA	–	0.1	0.4	V
V_{OH}	HIGH-level output voltage	$I_{source} = -0.8$ mA	$V_{DD} - 0.4$	$V_{DD} - 0.1$	–	V
I_{LO}	LOW/HIGH-level output leakage current	3-state outputs	–	–	1	μ A

Notes

- External clock signal (frequency = 76.8 kHz, amplitude = V_{SS} to V_{DD}) at pin EXTAL; OSCP \bar{D} = HIGH; test inputs = LOW; other inputs = HIGH; outputs unconnected; SPI transmit enabled; COD bit set to logic 1 (see Section 8.4.4); to obtain the supply current of an application with a crystal connected as in Fig.19, a typical oscillator current of 2 μ A needs to be added to this value (see Chapter 14); $T_{amb} = 25$ °C.
- As note 1, but PCD5013 and synchronous to a typical FLEX™ data stream (collapse value = 4), $T_{amb} = 25$ °C.

13 AC CHARACTERISTICS

$T_{amb} = -25$ to $+70$ °C, $V_{DD} = 1.8$ to 3.6 V, $f_{EXTAL} = 76.8$ kHz, maximum load capacitance = 50 pF connected to any digital output; unless otherwise specified.

SYMBOL	PARAMETER	CONDITIONS	MIN.	TYP.	MAX.	UNIT
Reset timing						
$t_{W(rst)}$	RESE \bar{T} pulse width		200	–	–	ns
$t_{LH(RESET-READY)}$	RESE \bar{T} LOW to READ \bar{Y} HIGH		–	–	200	ns
$t_{HL(RESET-READY)}$	RESE \bar{T} HIGH to READ \bar{Y} LOW	stable 76.8 kHz clock	–	1	–	s
Start-up timing						
$t_{strt(osc)}$	oscillator start-up time	see Fig.19	–	0.5	–	s
$t_{h(rst)}$	RESE \bar{T} hold time		200	–	–	ns
$t_{HL(RESET-READY)}$	RESE \bar{T} HIGH to READ \bar{Y} LOW	note 1	–	76800	–	T
$t_{WUL(osc-READY)}$	oscillator warmed up to READ \bar{Y} LOW	note 1	–	76800	–	T
SPI timing						
f_{SCK}	operating frequency		0	–	1	MHz
$T_{cy(SCK)}$	cycle time		1000	–	–	ns
t_{LEAD1}	select lead time		200	–	–	ns
t_{LAG1}	de-select lag time		200	–	–	ns

FLEX™ roaming decoder II

PCD5013

SYMBOL	PARAMETER	CONDITIONS	MIN.	TYP.	MAX.	UNIT
$t_{d(SS-READY)}$	SS-to- \overline{READY} delay time	previous packet did not program an address word; note 2	–	–	80	μs
		previous packet programmed an address word; note 2	–	–	420	μs
t_{READYH}	\overline{READY} HIGH time		50	–	–	μs
t_{LEAD2}	\overline{READY} lead time		200	–	–	ns
t_{LAG2}	\overline{READY} lag time		–	–	200	ns
$t_{su(i)(D)}$	MOSI data setup time		200	–	–	ns
$t_{h(i)(D)}$	MOSI data hold time		200	–	–	ns
$t_{ACC(o)}$	MISO access time		0	–	200	ns
$t_{o(dis)}$	MISO disable time		–	–	300	ns
t_{DOV}	MISO data valid time		–	–	200	ns
$t_{h(o)(D)}$	MISO data hold time		0	–	–	ns
t_{SSH}	SS HIGH time		200	–	–	ns
t_{SCKH}	SCK HIGH time		300	–	–	ns
t_{SCKL}	SCK LOW time		200	–	–	ns
t_r	SCK rise time	10% to 90% V_{DD}	–	–	1	μs
t_f	SCK fall time	10% to 90% V_{DD}	–	–	1	μs

Notes

1. T is one period of the clock source either generated by the internal oscillator, or applied at the input EXTAL. Note that from power-up, the oscillator start-up time can influence the availability and period of clock strobes. This can affect the \overline{RESET} HIGH to \overline{READY} LOW timing.
2. When the host re-programs an address word with a host-to-decoder packet ID > 7FH, there is an added delay before the PCD5013 is ready for another packet.

14 OSCILLATOR CHARACTERISTICS

$T_{amb} = -25$ to $+70$ °C; note 1.

SYMBOL	PARAMETER	CONDITIONS	MIN.	TYP.	MAX.	UNIT
C_1	external capacitor at pin EXTAL	note 1	–	15	–	pF
C_2	external capacitor at pin XTAL	note 1	–	15	–	pF
R_f	external feedback resistor	note 1	–	10	–	M Ω
$g_{m(osc)}$	oscillator transconductance		9.4	27	70	μS
I_{osc}	oscillator operating supply current	$V_{DD} = 2.2$ V; note 2	–	2	–	μA

Notes

1. Designed for quartz crystal type: SEIKO VTC200 or equivalent; parameters: $f = 76800\text{Hz}$, $R_S = 35$ k Ω (max.), $C_L = C_1 \cdot C_2 / (C_1 + C_2) + C_{stray} = 8$ to 12 pF, $C_0 =$ crystal shunt capacitance = 0.8 pF (typ.), $C_f =$ typical parasitic pin capacitance = 2 pF; maximum overall frequency tolerance (including transmitter) is 300 ppm (Section 8.4.4).
2. Extracted from evaluations under conditions as in Fig.19; this value is strongly dependent on external conditions (load and parasitic capacitances).

FLEX™ roaming decoder II

PCD5013

15 TEST AND APPLICATION INFORMATION

15.1 FLEX™ protocol

The PCD5013 conveys a licence to manufacture Pagers using the “FLEX™ Total Messaging Solution” agreement. For the terms and conditions of this agreement please contact Philips Semiconductors.

Further details of the FLEX™ protocol are contained in the document “FLEX™ Protocol and FLEX™ Encoding and Decoding Requirements”.

Please note that the issuing of this document is not part of the “FLEX™ Total Messaging Solution” agreement. Enquiries about the FLEX™ protocol not covered by the “FLEX™ Total Messaging Solution” should be directed to:

Motorola Inc.
 FLEX™ Licensing Manager,
 Mail Stop 99,
 1500 Gateway Boulevard,
 Boynton Beach,
 Florida 33426.
 FAX: (561) 739-2519
 Telephone: (561) 739-8281.

15.2 Example applications

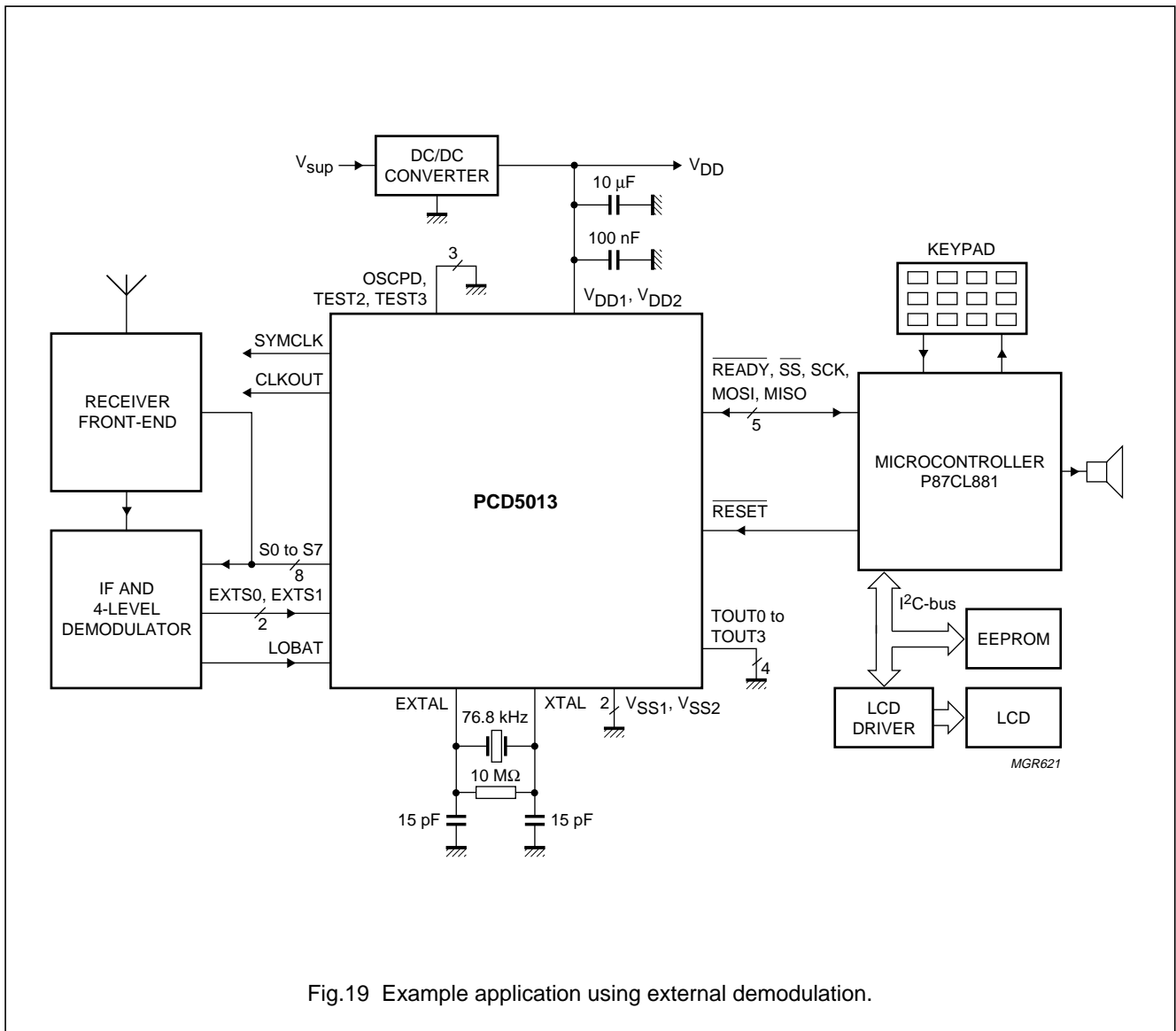


Fig.19 Example application using external demodulation.

FLEX™ roaming decoder II

PCD5013

15.3 System block diagram

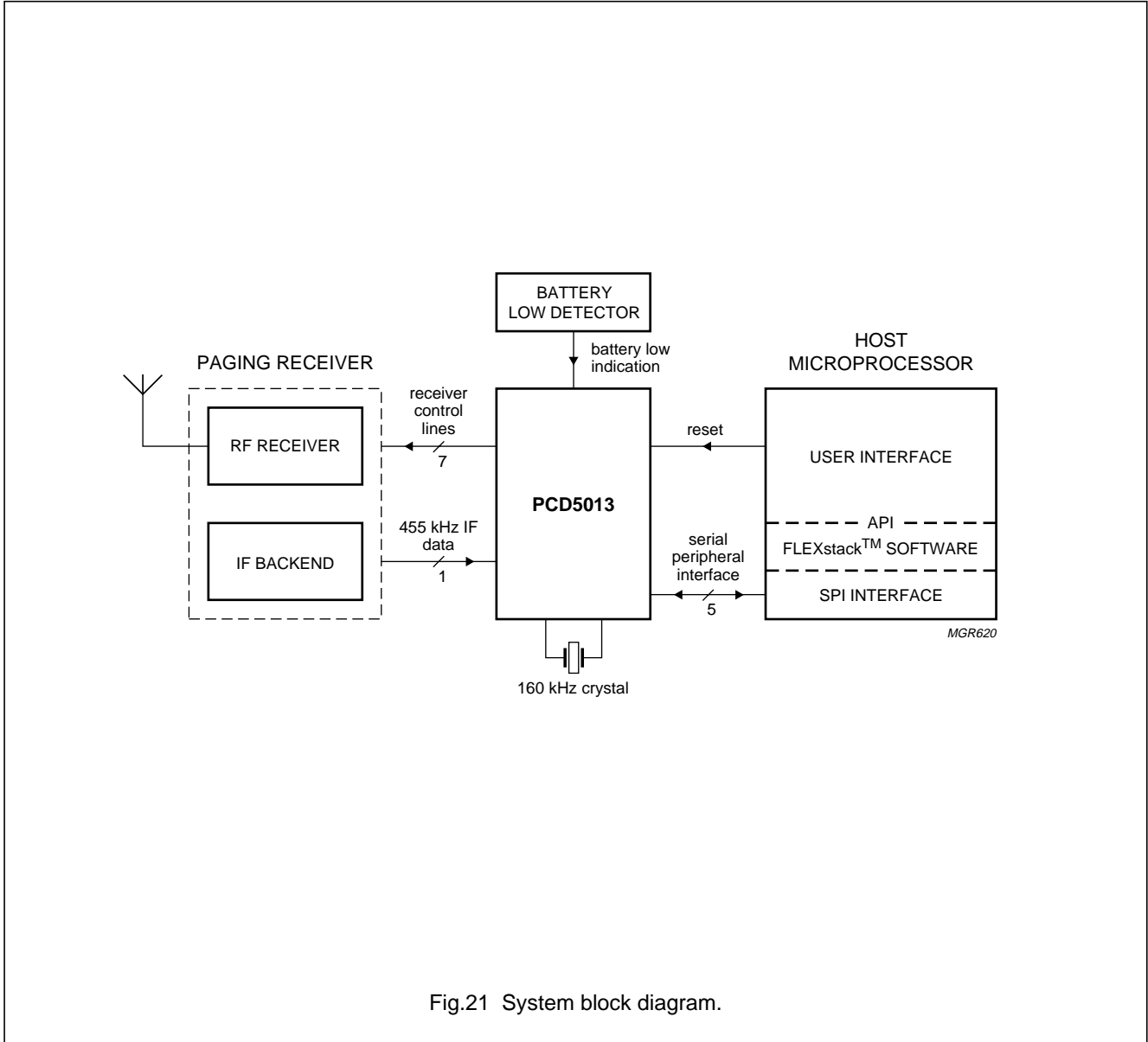


Fig.21 System block diagram.

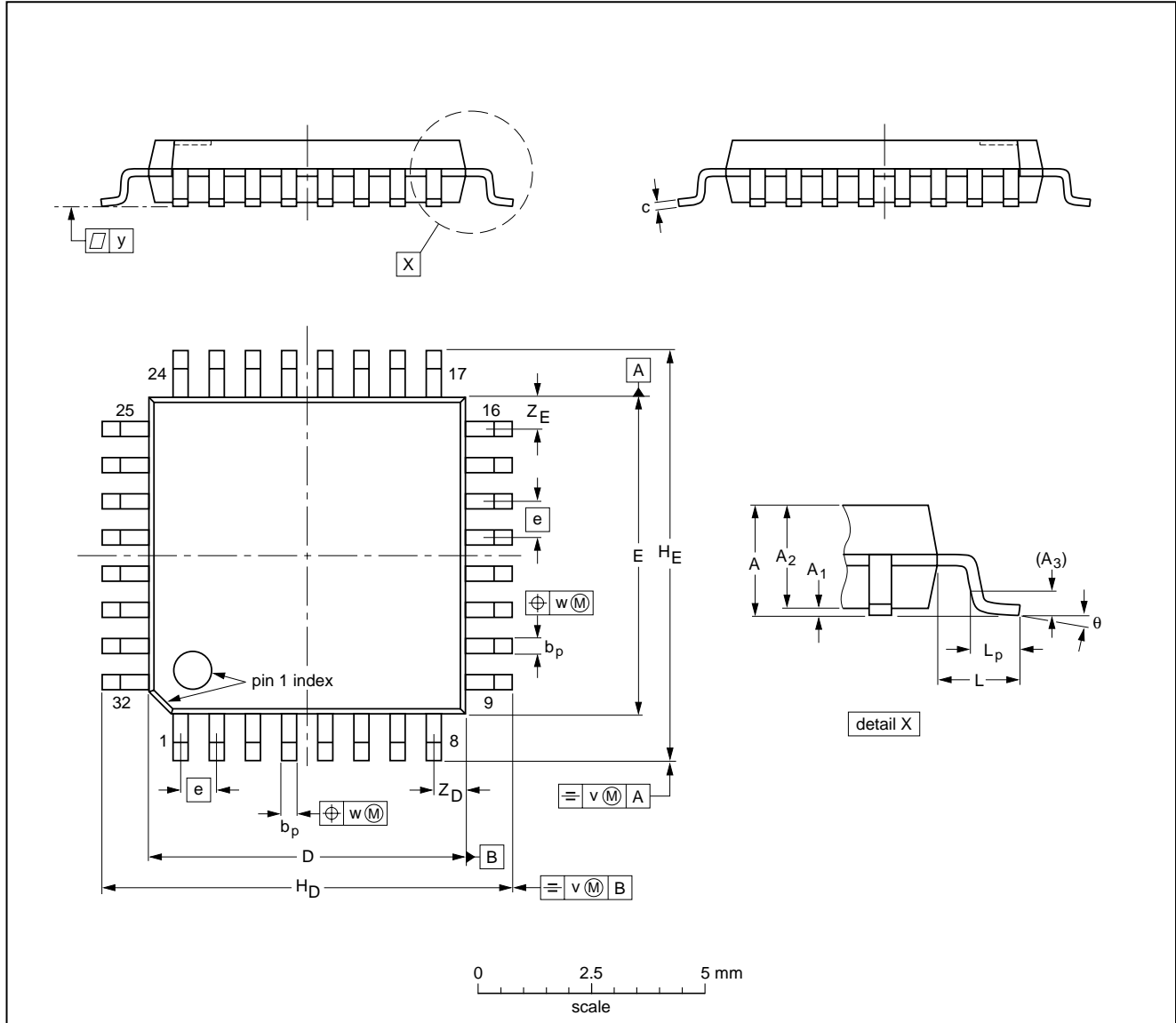
FLEX™ roaming decoder II

PCD5013

16 PACKAGE OUTLINE

LQFP32: plastic low profile quad flat package; 32 leads; body 7 x 7 x 1.4 mm

SOT358-1



DIMENSIONS (mm are the original dimensions)

UNIT	A max.	A ₁	A ₂	A ₃	b _p	c	D ⁽¹⁾	E ⁽¹⁾	e	H _D	H _E	L	L _p	v	w	y	Z _D ⁽¹⁾	Z _E ⁽¹⁾	θ
mm	1.60	0.20 0.05	1.45 1.35	0.25	0.4 0.3	0.18 0.12	7.1 6.9	7.1 6.9	0.8	9.15 8.85	9.15 8.85	1.0	0.75 0.45	0.2	0.25	0.1	0.9 0.5	0.9 0.5	7° 0°

Note

1. Plastic or metal protrusions of 0.25 mm maximum per side are not included.

OUTLINE VERSION	REFERENCES				EUROPEAN PROJECTION	ISSUE DATE
	IEC	JEDEC	EIAJ			
SOT358 -1						95-12-19 97-08-04

FLEX™ roaming decoder II

PCD5013

17 SOLDERING

17.1 Introduction to soldering surface mount packages

This text gives a very brief insight to a complex technology. A more in-depth account of soldering ICs can be found in our *"Data Handbook IC26; Integrated Circuit Packages"* (document order number 9398 652 90011).

There is no soldering method that is ideal for all surface mount IC packages. Wave soldering is not always suitable for surface mount ICs, or for printed-circuit boards with high population densities. In these situations reflow soldering is often used.

17.2 Reflow soldering

Reflow soldering requires solder paste (a suspension of fine solder particles, flux and binding agent) to be applied to the printed-circuit board by screen printing, stencilling or pressure-syringe dispensing before package placement.

Several methods exist for reflowing; for example, infrared/convection heating in a conveyor type oven. Throughput times (preheating, soldering and cooling) vary between 100 and 200 seconds depending on heating method.

Typical reflow peak temperatures range from 215 to 250 °C. The top-surface temperature of the packages should preferably be kept below 230 °C.

17.3 Wave soldering

Conventional single wave soldering is not recommended for surface mount devices (SMDs) or printed-circuit boards with a high component density, as solder bridging and non-wetting can present major problems.

To overcome these problems the double-wave soldering method was specifically developed.

If wave soldering is used the following conditions must be observed for optimal results:

- Use a double-wave soldering method comprising a turbulent wave with high upward pressure followed by a smooth laminar wave.
- For packages with leads on two sides and a pitch (e):
 - larger than or equal to 1.27 mm, the footprint longitudinal axis is **preferred** to be parallel to the transport direction of the printed-circuit board;
 - smaller than 1.27 mm, the footprint longitudinal axis **must** be parallel to the transport direction of the printed-circuit board.

The footprint must incorporate solder thieves at the downstream end.
- For packages with leads on four sides, the footprint must be placed at a 45° angle to the transport direction of the printed-circuit board. The footprint must incorporate solder thieves downstream and at the side corners.

During placement and before soldering, the package must be fixed with a droplet of adhesive. The adhesive can be applied by screen printing, pin transfer or syringe dispensing. The package can be soldered after the adhesive is cured.

Typical dwell time is 4 seconds at 250 °C. A mildly-activated flux will eliminate the need for removal of corrosive residues in most applications.

17.4 Manual soldering

Fix the component by first soldering two diagonally-opposite end leads. Use a low voltage (24 V or less) soldering iron applied to the flat part of the lead. Contact time must be limited to 10 seconds at up to 300 °C.

When using a dedicated tool, all other leads can be soldered in one operation within 2 to 5 seconds between 270 and 320 °C.

FLEX™ roaming decoder II

PCD5013

17.5 Suitability of surface mount IC packages for wave and reflow soldering methods

PACKAGE	SOLDERING METHOD	
	WAVE	REFLOW ⁽¹⁾
BGA, SQFP	not suitable	suitable
HLQFP, HSQFP, HSOP, HTSSOP, SMS	not suitable ⁽²⁾	suitable
PLCC ⁽³⁾ , SO, SOJ	suitable	suitable
LQFP, QFP, TQFP	not recommended ⁽³⁾⁽⁴⁾	suitable
SSOP, TSSOP, VSO	not recommended ⁽⁵⁾	suitable

Notes

1. All surface mount (SMD) packages are moisture sensitive. Depending upon the moisture content, the maximum temperature (with respect to time) and body size of the package, there is a risk that internal or external package cracks may occur due to vaporization of the moisture in them (the so called popcorn effect). For details, refer to the Drypack information in the "Data Handbook IC26; Integrated Circuit Packages; Section: Packing Methods".
2. These packages are not suitable for wave soldering as a solder joint between the printed-circuit board and heatsink (at bottom version) can not be achieved, and as solder may stick to the heatsink (on top version).
3. If wave soldering is considered, then the package must be placed at a 45° angle to the solder wave direction. The package footprint must incorporate solder thieves downstream and at the side corners.
4. Wave soldering is only suitable for LQFP, TQFP and QFP packages with a pitch (e) equal to or larger than 0.8 mm; it is definitely not suitable for packages with a pitch (e) equal to or smaller than 0.65 mm.
5. Wave soldering is only suitable for SSOP and TSSOP packages with a pitch (e) equal to or larger than 0.65 mm; it is definitely not suitable for packages with a pitch (e) equal to or smaller than 0.5 mm.

FLEX™ roaming decoder II

PCD5013

18 DEFINITIONS

Data sheet status	
Objective specification	This data sheet contains target or goal specifications for product development.
Preliminary specification	This data sheet contains preliminary data; supplementary data may be published later.
Product specification	This data sheet contains final product specifications.
Limiting values	
Limiting values given are in accordance with the Absolute Maximum Rating System (IEC 134). Stress above one or more of the limiting values may cause permanent damage to the device. These are stress ratings only and operation of the device at these or at any other conditions above those given in the Characteristics sections of the specification is not implied. Exposure to limiting values for extended periods may affect device reliability.	
Application information	
Where application information is given, it is advisory and does not form part of the specification.	

19 LIFE SUPPORT APPLICATIONS

These products are not designed for use in life support appliances, devices, or systems where malfunction of these products can reasonably be expected to result in personal injury. Philips customers using or selling these products for use in such applications do so at their own risk and agree to fully indemnify Philips for any damages resulting from such improper use or sale.

FLEX™ roaming decoder II

PCD5013

NOTES

FLEX™ roaming decoder II

PCD5013

NOTES

Philips Semiconductors – a worldwide company

Argentina: see South America

Australia: 34 Waterloo Road, NORTH RYDE, NSW 2113,
Tel. +61 2 9805 4455, Fax. +61 2 9805 4466

Austria: Computerstr. 6, A-1101 WIEN, P.O. Box 213,
Tel. +43 1 60 101 1248, Fax. +43 1 60 101 1210

Belarus: Hotel Minsk Business Center, Bld. 3, r. 1211, Volodarski Str. 6,
220050 MINSK, Tel. +375 172 20 0733, Fax. +375 172 20 0773

Belgium: see The Netherlands

Brazil: see South America

Bulgaria: Philips Bulgaria Ltd., Energoproject, 15th floor,
51 James Bourchier Blvd., 1407 SOFIA,
Tel. +359 2 68 9211, Fax. +359 2 68 9102

Canada: PHILIPS SEMICONDUCTORS/COMPONENTS,
Tel. +1 800 234 7381, Fax. +1 800 943 0087

China/Hong Kong: 501 Hong Kong Industrial Technology Centre,
72 Tat Chee Avenue, Kowloon Tong, HONG KONG,
Tel. +852 2319 7888, Fax. +852 2319 7700

Colombia: see South America

Czech Republic: see Austria

Denmark: Sydhavnsgade 23, 1780 COPENHAGEN V,
Tel. +45 33 29 3333, Fax. +45 33 29 3905

Finland: Sinikalliontie 3, FIN-02630 ESPOO,
Tel. +358 9 615 800, Fax. +358 9 6158 0920

France: 51 Rue Carnot, BP317, 92156 SURESNES Cedex,
Tel. +33 1 4099 6161, Fax. +33 1 4099 6427

Germany: Hammerbrookstraße 69, D-20097 HAMBURG,
Tel. +49 40 2353 60, Fax. +49 40 2353 6300

Hungary: see Austria

India: Philips INDIA Ltd, Band Box Building, 2nd floor,
254-D, Dr. Annie Besant Road, Worli, MUMBAI 400 025,
Tel. +91 22 493 8541, Fax. +91 22 493 0966

Indonesia: PT Philips Development Corporation, Semiconductors Division,
Gedung Philips, Jl. Buncit Raya Kav.99-100, JAKARTA 12510,
Tel. +62 21 794 0040 ext. 2501, Fax. +62 21 794 0080

Ireland: Newstead, Clonskeagh, DUBLIN 14,
Tel. +353 1 7640 000, Fax. +353 1 7640 200

Israel: RAPAC Electronics, 7 Kehilat Saloniki St, PO Box 18053,
TEL AVIV 61180, Tel. +972 3 645 0444, Fax. +972 3 649 1007

Italy: PHILIPS SEMICONDUCTORS, Piazza IV Novembre 3,
20124 MILANO, Tel. +39 2 6752 2531, Fax. +39 2 6752 2557

Japan: Philips Bldg 13-37, Kohnan 2-chome, Minato-ku,
TOKYO 108-8507, Tel. +81 3 3740 5130, Fax. +81 3 3740 5077

Korea: Philips House, 260-199 Itaewon-dong, Yongsan-ku, SEOUL,
Tel. +82 2 709 1412, Fax. +82 2 709 1415

Malaysia: No. 76 Jalan Universiti, 46200 PETALING JAYA, SELANGOR,
Tel. +60 3 750 5214, Fax. +60 3 757 4880

Mexico: 5900 Gateway East, Suite 200, EL PASO, TEXAS 79905,
Tel. +9-5 800 234 7381, Fax +9-5 800 943 0087

Middle East: see Italy

Netherlands: Postbus 90050, 5600 PB EINDHOVEN, Bldg. VB,
Tel. +31 40 27 82785, Fax. +31 40 27 88399

New Zealand: 2 Wagener Place, C.P.O. Box 1041, AUCKLAND,
Tel. +64 9 849 4160, Fax. +64 9 849 7811

Norway: Box 1, Manglerud 0612, OSLO,
Tel. +47 22 74 8000, Fax. +47 22 74 8341

Pakistan: see Singapore

Philippines: Philips Semiconductors Philippines Inc.,
106 Valero St. Salcedo Village, P.O. Box 2108 MCC, MAKATI,
Metro MANILA, Tel. +63 2 816 6380, Fax. +63 2 817 3474

Poland: Ul. Lukiska 10, PL 04-123 WARSZAWA,
Tel. +48 22 612 2831, Fax. +48 22 612 2327

Portugal: see Spain

Romania: see Italy

Russia: Philips Russia, Ul. Usatcheva 35A, 119048 MOSCOW,
Tel. +7 095 755 6918, Fax. +7 095 755 6919

Singapore: Lorong 1, Toa Payoh, SINGAPORE 319762,
Tel. +65 350 2538, Fax. +65 251 6500

Slovakia: see Austria

Slovenia: see Italy

South Africa: S.A. PHILIPS Pty Ltd., 195-215 Main Road Martindale,
2092 JOHANNESBURG, P.O. Box 7430 Johannesburg 2000,
Tel. +27 11 470 5911, Fax. +27 11 470 5494

South America: Al. Vicente Pinzon, 173, 6th floor,
04547-130 SÃO PAULO, SP, Brazil,
Tel. +55 11 821 2333, Fax. +55 11 821 2382

Spain: Balmes 22, 08007 BARCELONA,
Tel. +34 93 301 6312, Fax. +34 93 301 4107

Sweden: Kottbygatan 7, Akalla, S-16485 STOCKHOLM,
Tel. +46 8 5985 2000, Fax. +46 8 5985 2745

Switzerland: Allmendstrasse 140, CH-8027 ZÜRICH,
Tel. +41 1 488 2741 Fax. +41 1 488 3263

Taiwan: Philips Semiconductors, 6F, No. 96, Chien Kuo N. Rd., Sec. 1,
TAIPEI, Taiwan Tel. +886 2 2134 2886, Fax. +886 2 2134 2874

Thailand: PHILIPS ELECTRONICS (THAILAND) Ltd.,
209/2 Sanpavuth-Bangna Road Prakanong, BANGKOK 10260,
Tel. +66 2 745 4090, Fax. +66 2 398 0793

Turkey: Talatpasa Cad. No. 5, 80640 GÜLTEPE/ISTANBUL,
Tel. +90 212 279 2770, Fax. +90 212 282 6707

Ukraine: PHILIPS UKRAINE, 4 Patrice Lumumba str., Building B, Floor 7,
252042 KIEV, Tel. +380 44 264 2776, Fax. +380 44 268 0461

United Kingdom: Philips Semiconductors Ltd., 276 Bath Road, Hayes,
MIDDLESEX UB3 5BX, Tel. +44 181 730 5000, Fax. +44 181 754 8421

United States: 811 East Arques Avenue, SUNNYVALE, CA 94088-3409,
Tel. +1 800 234 7381, Fax. +1 800 943 0087

Uruguay: see South America

Vietnam: see Singapore

Yugoslavia: PHILIPS, Trg N. Pasica 5/v, 11000 BEOGRAD,
Tel. +381 11 62 5344, Fax. +381 11 63 5777

For all other countries apply to: Philips Semiconductors,
International Marketing & Sales Communications, Building BE-p, P.O. Box 218,
5600 MD EINDHOVEN, The Netherlands, Fax. +31 40 27 24825

Internet: <http://www.semiconductors.philips.com>

© Philips Electronics N.V. 1999

SCA63

All rights are reserved. Reproduction in whole or in part is prohibited without the prior written consent of the copyright owner.

The information presented in this document does not form part of any quotation or contract, is believed to be accurate and reliable and may be changed without notice. No liability will be accepted by the publisher for any consequence of its use. Publication thereof does not convey nor imply any license under patent- or other industrial or intellectual property rights.

Printed in The Netherlands

465008/00/02/pp76

Date of release: 1999 Apr 12

Document order number: 9397 750 05593

Let's make things better.

Philips
Semiconductors



PHILIPS