

# DATA SHEET

## **PCD5091** **DECT baseband controller**

Objective specification  
Supersedes data of 1996 Oct 30  
File under Integrated Circuits, IC17

1997 Jul 21

**DECT baseband controller****PCD5091****CONTENTS**

1	FEATURES
1.1	DSP software features
2	GENERAL DESCRIPTION
3	ORDERING INFORMATION
4	BLOCK DIAGRAM
5	PINNING INFORMATION
5.1	Pinning
5.2	Pin description
6	FUNCTIONAL DESCRIPTION
7	PACKAGE OUTLINES
8	SOLDERING
8.1	Introduction
8.2	Reflow soldering
8.3	Wave soldering
8.4	Repairing soldered joints
9	DEFINITIONS
10	LIFE SUPPORT APPLICATIONS
11	PURCHASE OF PHILIPS I <sup>2</sup> C COMPONENTS



## DECT baseband controller

## PCD5091

**1 FEATURES**

- 80C51 ports P0, P1, P2 and P3 available for interfacing to display, keyboard, I<sup>2</sup>C-bus, interrupt sources and/or external memory. Integrated 64 kbyte ROM, 3 kbytes of data memory and 1 kbyte SDR-RAM. External program memory is addressable up to 128 kbytes
- +2.7 to +5 V port (P0 to P3) interface
- TDMA frame (de)multiplexing. Transmission or reception can be programmed for any slot
- Ciphering, scrambling, CRC checking/generation and protected B-fields
- Speech and data buffering space for six handsets
- Local call and B-field loop-back
- Two interrupt lines for BML and DSP to interrupt 80C51
- On-chip, three-channel time-multiplexed 8-bit Analog-to-Digital Converter (ADC) for RSSI measurement, one for battery voltage measurement and one channel available for other purposes
- On-chip 8-bit Digital-to-Analog Converter (DAC) for electronic potentiometer function
- Phase error measurement and phase error correction by hardware
- DACs and ADCs for dynamic earpiece and dynamic or electret microphone
- On-chip reference voltage
- On-chip supply for electret microphone
- Very low ohmic buzzer output
- Serial interface to external ADPCM CODEC (PCD5032) or 8 kHz u-law samples
- Speech switch for Digital Telephone Answering Machine (DTAM) connected to SPI interface
- IOM-2 interface (Siemens registered trademark)
- Serial interface to synthesizer for frequency programming
- Programmable polarity and timing of radio-control signals
- GMSK pulse shaper

- Easy interfacing with radio circuits, operating at other supply voltage (RF supply pin with level shifter for RF signals)
- On-chip comparator for use as data-slicer
- Low power oscillator with integrated frequency adjustment
- QFP100 and LQFP100 packages
- Power-on-reset
- Programmable power-down modes
- Low supply voltage (2.7 to 3.6 V)
- CMOS technology.

**1.1 DSP software features**

- ADPCM encoding and decoding complying with G.721
- Volume control
- Speech filters
- Programmable gain in speech paths
- Side tone and soft mute
- Two tone (DTMF) generators
- Automatic gain control
- Hands-free operation

For each DSP software version a separate manual is available in which detailed information is provided on how parameters must be set. For further information please contact Philips Semiconductors.

**2 GENERAL DESCRIPTION**

The PCD5091 is designed for GAP-compliant handsets with speaker-phone option. It has an embedded 80C51 microcontroller with twice the performance of the classic architecture, 64 kbytes of PROM program memory and 3 kbytes of data memory on-chip. In addition there is 1 kbyte of on-chip data memory that is shared with on-chip Burst Mode Logic (BML) and DSP, the System Data RAM (SDR).

**3 ORDERING INFORMATION**

TYPE NUMBER	PACKAGE		
	NAME	DESCRIPTION	VERSION
PCD5091H	QFP100	plastic quad flat package; 100 leads (lead length 1.95 mm); body 14 × 20 × 2.8 mm	SOT317-2
PCD5091HZ	LQFP100	plastic low profile quad flat package; 100 leads; body 14 × 14 × 1.4 mm	SOT407-1

DECT baseband controller

PCD5091

4 BLOCK DIAGRAM

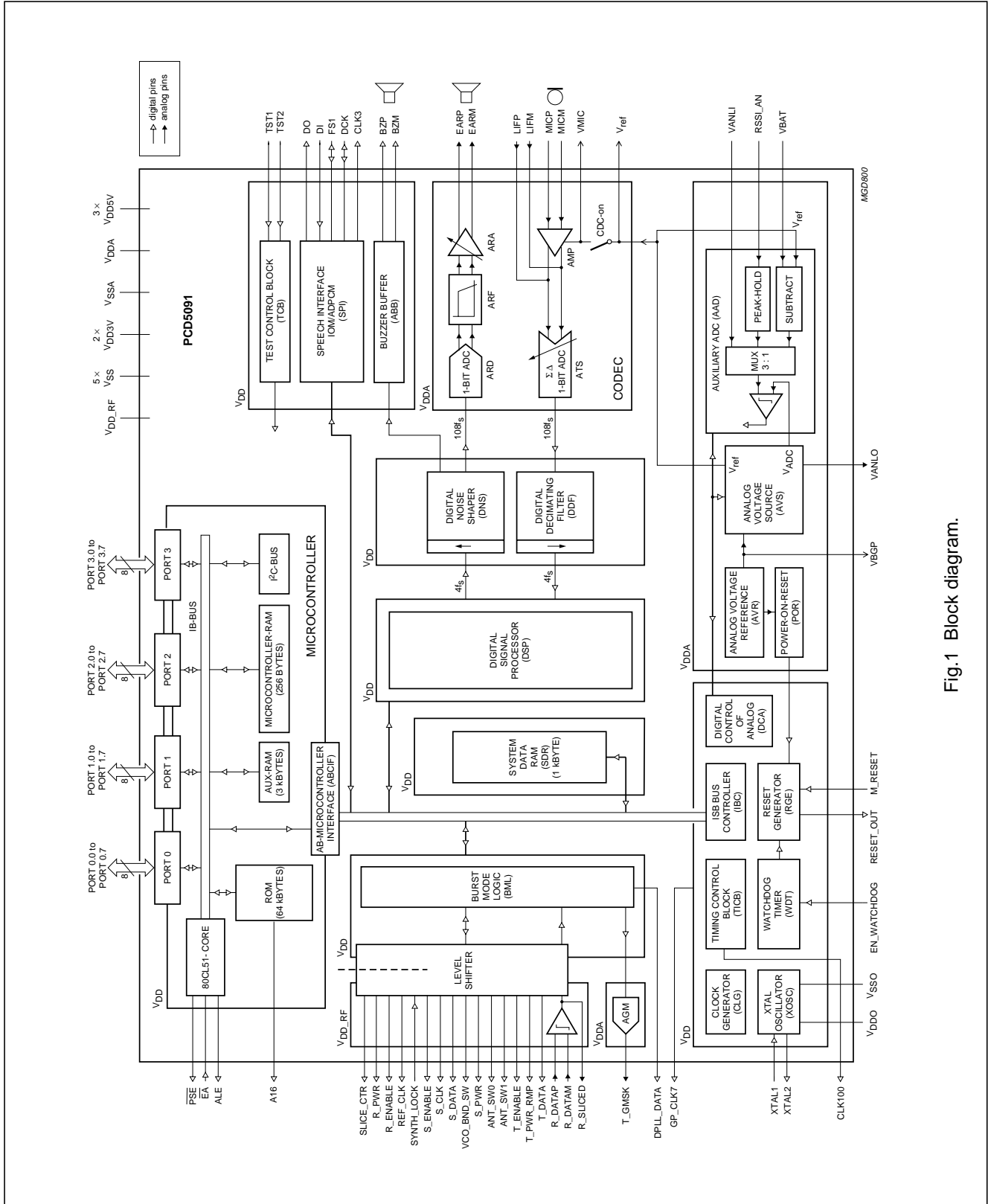


Fig.1 Block diagram.

DECT baseband controller

PCD5091

5 PINNING INFORMATION

5.1 Pinning

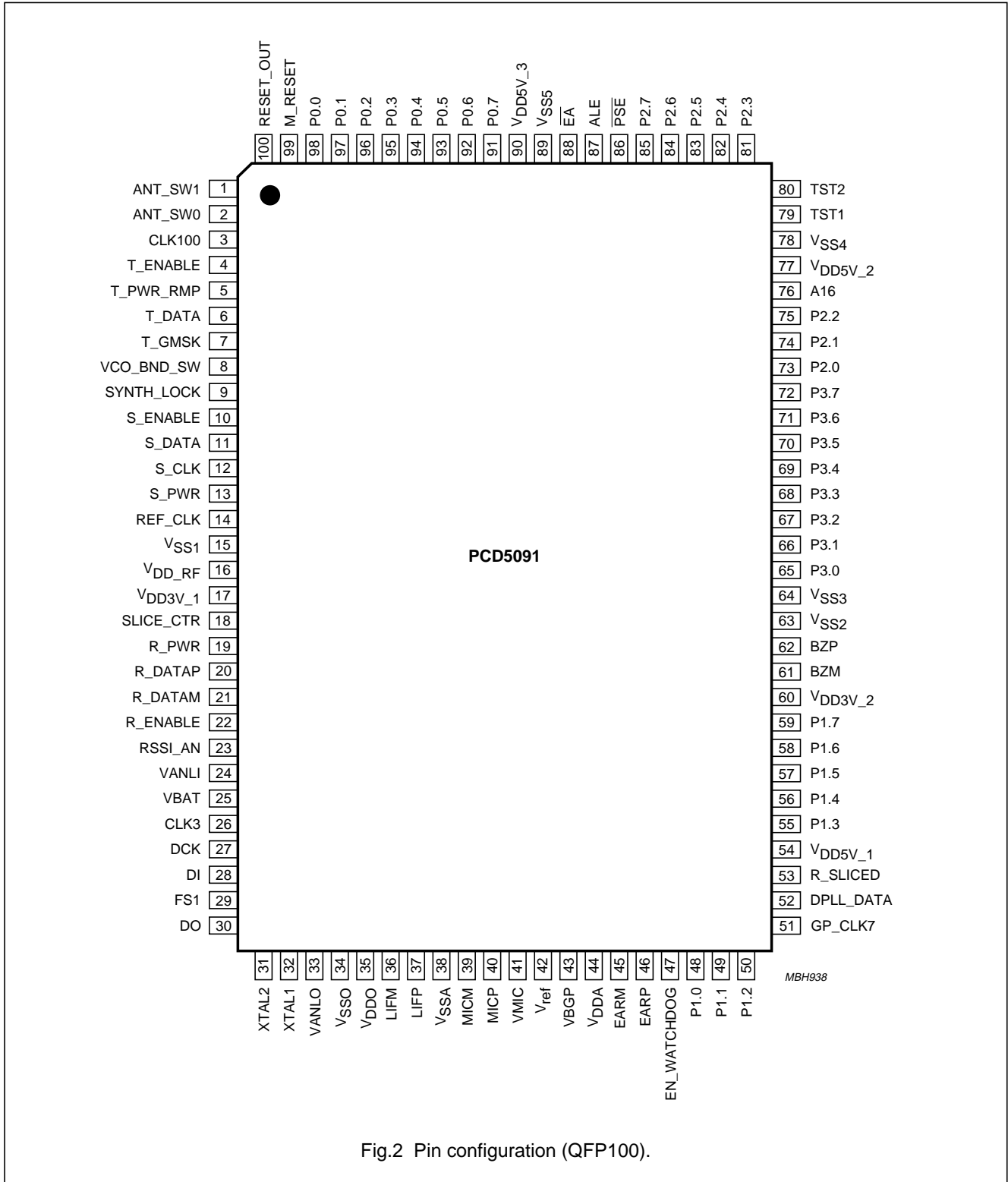


Fig.2 Pin configuration (QFP100).

DECT baseband controller

PCD5091

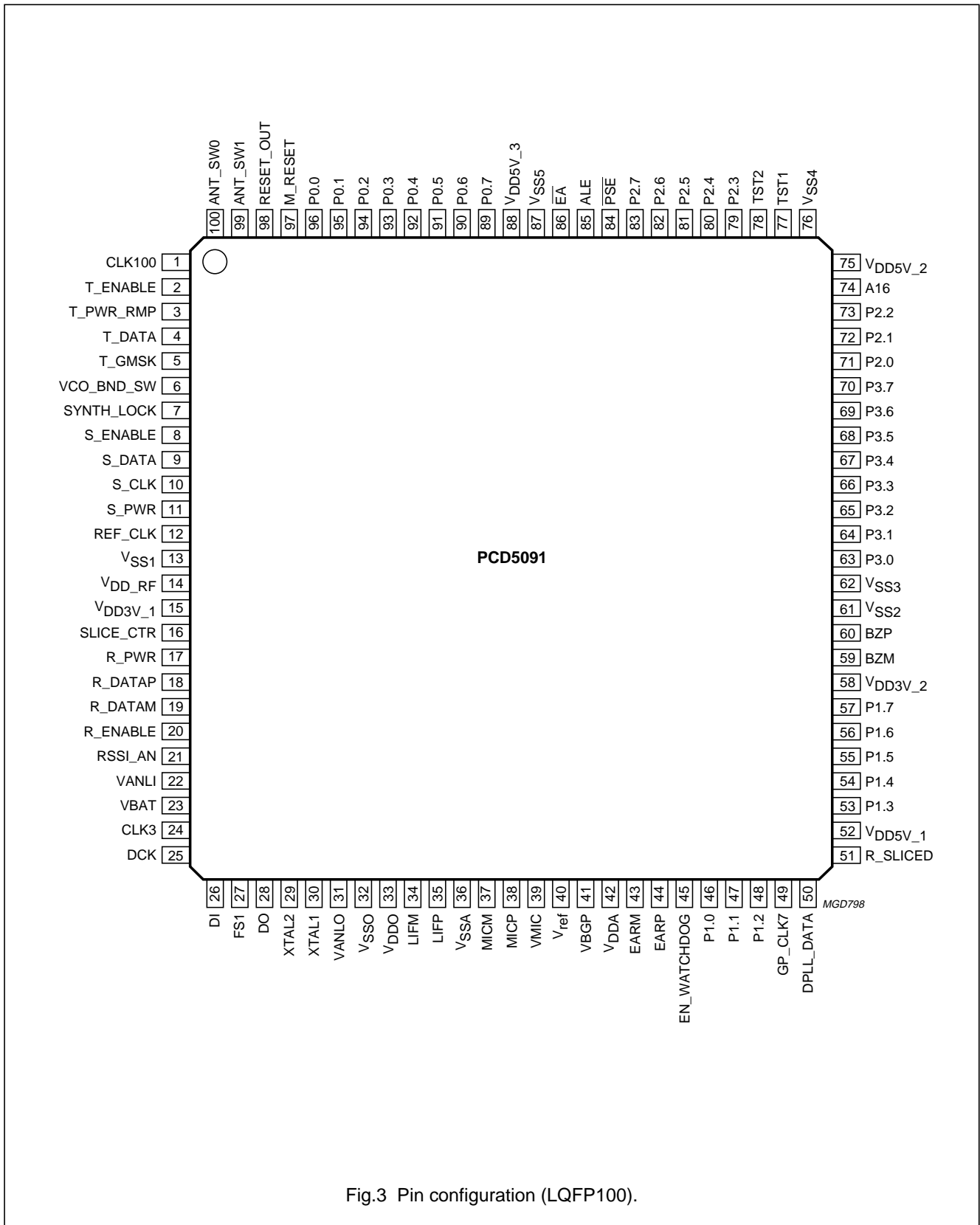


Fig.3 Pin configuration (LQFP100).

## DECT baseband controller

## PCD5091

## 5.2 Pin description

Table 1 QFP100 and LQFP100 packages

SYMBOL	PIN		I/O	STATE AFTER RESET	PIN TYPE	PIN DESCRIPTION
	QFP100	LQFP100				
ANT_SW1	1	99	O	H	ISP2DRF3	antenna switch 1 output
ANT_SW0	2	100	O	H	ISP2DRF3	antenna switch 0 output
CLK100	3	1	O	H	ISP2DPES	100 Hz signal related to DECT frame timing output
T_ENABLE	4	2	O	H	ISP2DRF3	enable transmitter output
T_PWR_RMP	5	3	O	L	ISP2DRF3	switch transmitter power output
T_DATA	6	4	O	off	ISF2DRF3	unmodulated transmitter data output
T_GMSK	7	5	O	L	ANAIOD1	GMSK modulated transmitter data output
VCO_BND_SW	8	6	O	L	ISP2DRF3	VCO band switch output
SYNTH_LOCK	9	7	I	–	DIPP0RF3	synthesizer lock input
S_ENABLE	10	8	O	L	ISP2DRF3	synthesizer enable output
S_DATA	11	9	O	L	ISP2DRF3	serial synthesizer data output
S_CLK	12	10	O	L	ISP2DRF3	clock for serial synthesizer interface output
S_PWR	13	11	O	H	ISP2DRF3	switch synthesizer power output
REF_CLK	14	12	O	running	ISP4DRF3	13.824 MHz reference clock for synthesizer output
V <sub>SS1</sub>	15	13	–	–	supply	negative supply voltage 1
V <sub>DD_RF</sub>	16	14	–	–	supply	positive supply voltage for RF interface level shifters
V <sub>DD3V_1</sub>	17	15	–	–	supply	positive supply voltage 1 (+3 V)
SLICE_CTR	18	16	O	L	ISP2DRF3	switch slicer time constant output
R_PWR	19	17	O	H	ISP2DRF3	switch receiver power output
R_DATAP	20	18	I	–	ANAIOD2	positive input for receiver data
R_DATAM	21	19	I	–	ANAIOD2	negative input for receiver data
R_ENABLE	22	20	O	H	ISP2DRF3	enable receiver output
RSSI_AN	23	21	I	–	ANAIOD1	analog input for RSSI measurement
VANLI	24	22	I	–	ANAIOD1	analog input to ADC
VBAT	25	23	I	–	ANAIOD1	analog input for battery voltage measurement
CLK3	26	24	O	L	ISP2DPES	3.456 MHz clock output for external ADPCM codec

## DECT baseband controller

## PCD5091

SYMBOL	PIN		I/O	STATE AFTER RESET	PIN TYPE	PIN DESCRIPTION
	QFP100	LQFP100				
DCK	27	25	I/O	input	ISF2DPES ISF2UPES	ADPCM output or IOM data clock input/output (ISF2UPES in PCD5090/xxx, PCA5097/xxx)
DI	28	26	I	–	DIPP0PES	ADPCM or IOM data input
FS1	29	27	I/O	input	ISF2DPES ISF2UPES	8 kHz framing input/output (ISF2UPES in PCD5090/xxx, PCA5097/xxx)
DO	30	28	O	off	ISI8DPES	ADPCM or IOM data output
XTAL2	31	29	O	running	ANAIOD1	crystal oscillator output
XTAL1	32	30	I	–	ANAIOD1	crystal oscillator input
VANLO	33	31	O	1.0 V	ANAIOD1	analog output from D/A converter
V <sub>SSO</sub>	34	32	–	–	supply	negative supply voltage for the oscillator
V <sub>DDO</sub>	35	33	–	–	supply	positive supply voltage for the oscillator
LIFM	36	34	I	0.7 V	ANAIOD1	negative input from line interface
LIFP	37	35	I	0.7 V	ANAIOD1	positive input from line interface
V <sub>SSA</sub>	38	36	–	–	supply	negative supply voltage for analog circuits
MICM	39	37	I	0.7 V	ANAIOR1	negative input from microphone
MICP	40	38	I	0.7 V	ANAIOR1	positive input from microphone
VMIC	41	39	O	off	ANAIOD1	positive microphone supply voltage (+2 V)
V <sub>ref</sub>	42	40	O	2.0 V	ANAIOD1	reference voltage (+2 V)
VBGP	43	41	O	1.25 V	ANAIOR1	bandgap output voltage (+1.25 V)
V <sub>DDA</sub>	44	42	–	–	supply	positive supply voltage for analog circuits
EARM	45	43	O	1.4 V	ANAIOD1	negative output to earpiece
EARP	46	44	O	1.4 V	ANAIOD1	positive output to earpiece
EN_WATCHDOG	47	45	I	–	DIUP0PES	watchdog enable input
P1.0	48	46	I/O	H	ISQ2CPES	bidirectional 80C51 port pin
P1.1	49	47	I/O	H	ISQ2CPES	bidirectional 80C51 port pin
P1.2	50	48	I/O	H	ISQ2CPES	bidirectional 80C51 port pin
GP_CLK7	51	49	O	L	ISP2DPES	general purpose 6.912 MHz output
DPLL_DATA	52	50	O	L	ISP2DPES	data after clock recovery network
R_SLICED	53	51	O	L	ISP2DPES	R_DATA comparator output
V <sub>DD5V_1</sub>	54	52	–	–	supply	positive supply voltage 1 for the +5 V interface
P1.3	55	53	I/O	H	ISQ2CPES	bidirectional 80C51 port pin
P1.4	56	54	I/O	H	ISQ2CPES	bidirectional 80C51 port pin



## DECT baseband controller

## PCD5091

SYMBOL	PIN		I/O	STATE AFTER RESET	PIN TYPE	PIN DESCRIPTION
	QFP100	LQFP100				
P1.5	57	55	I/O	H	ISQ2CPES	bidirectional 80C51 port pin
P1.6	58	56	I/O	off	ISI8DPES	bidirectional 80C51 port pin
P1.7	59	57	I/O	off	ISI8DPES	bidirectional 80C51 port pin
V <sub>DD3V_2</sub>	60	58	–	–	supply	positive supply voltage 2 (+3 V)
BZM	61	59	O	L	ANAIOD2	negative buzzer output
BZP	62	60	O	L	ANAIOD2	positive buzzer output
V <sub>SS2</sub>	63	61	–	–	supply	negative supply voltage 2
V <sub>SS3</sub>	64	62	–	–	supply	negative supply voltage 3
P3.0	65	63	I/O	H	ISQ2CPES	bidirectional 80C51 port pin
P3.1	66	64	I/O	H	ISQ2CPES	bidirectional 80C51 port pin
P3.2	67	65	I/O	H	ISQ2CPES	bidirectional 80C51 port pin
P3.3	68	66	I/O	H	ISQ2CPES	bidirectional 80C51 port pin
P3.4	69	67	I/O	H	ISQ2CPES	bidirectional 80C51 port pin
P3.5	70	68	I/O	H	ISQ2CPES	bidirectional 80C51 port pin
P3.6	71	69	I/O	H	ISQ2CPES	bidirectional 80C51 port pin
P3.7	72	70	I/O	H	ISQ2CPES	bidirectional 80C51 port pin
P2.0	73	71	I/O	H	ISQ2CPES	bidirectional 80C51 port pin
P2.1	74	72	I/O	H	ISQ2CPES	bidirectional 80C51 port pin
P2.2	75	73	I/O	H	ISQ2CPES	bidirectional 80C51 port pin
A16	76	74	O	L	ISP4DPES	address bit 16 for 128 kbytes external program memory
V <sub>DD5V_2</sub>	77	75	–	–	supply	positive supply voltage 2 for the +5 V interface
V <sub>SS4</sub>	78	76	–	–	supply	negative supply voltage 4
TST1	79	77	I	–	DIDP0PES	test input 1
TST2	80	78	I	–	DIDP0PES	test input 2
P2.3	81	79	I/O	H	ISQ2CPES	bidirectional 80C51 port pin
P2.4	82	80	I/O	H	ISQ2CPES	bidirectional 80C51 port pin
P2.5	83	81	I/O	H	ISQ2CPES	bidirectional 80C51 port pin
P2.6	84	82	I/O	H	ISQ2CPES	bidirectional 80C51 port pin
P2.7	85	83	I/O	H	ISQ2CPES	bidirectional 80C51 port pin
P $\overline{\text{SE}}$	86	84	O	H	ISQ2CPES	program store enable (80C51); active LOW
ALE	87	85	O	H	ISQ4CPES	address latch enable (80C51)

## DECT baseband controller

## PCD5091

SYMBOL	PIN		I/O	STATE AFTER RESET	PIN TYPE	PIN DESCRIPTION
	QFP100	LQFP100				
$\overline{EA}$	88	86	I	–	ISF2DPES	external access enable (80C51); active LOW
$V_{SS5}$	89	87	–	–	supply	negative supply voltage 5
$V_{DD5V\_3}$	90	88	–	–	supply	positive supply voltage 3 for the +5 V interface
P0.7	91	89	I/O	off H	ISP2DPES ISQ2CPES	bidirectional 80C51 port pin (ISQ2CPES in PCD5090/xxx, PCA5097/xxx)
P0.6	92	90	I/O	off H	ISP2DPES ISQ2CPES	bidirectional 80C51 port pin (ISQ2CPES in PCD5090/xxx, PCA5097/xxx)
P0.5	93	91	I/O	off H	ISP2DPES ISQ2CPES	bidirectional 80C51 port pin (ISQ2CPES in PCD5090/xxx, PCA5097/xxx)
P0.4	94	92	I/O	off H	ISP2DPES ISQ2CPES	bidirectional 80C51 port pin (ISQ2CPES in PCD5090/xxx, PCA5097/xxx)
P0.3	95	93	I/O	off H	ISP2DPES ISQ2CPES	bidirectional 80C51 port pin (ISQ2CPES in PCD5090/xxx, PCA5097/xxx)
P0.2	96	94	I/O	off H	ISP2DPES ISQ2CPES	bidirectional 80C51 port pin (ISQ2CPES in PCD5090/xxx, PCA5097/xxx)
P0.1	97	95	I/O	off H	ISP2DPES ISQ2CPES	bidirectional 80C51 port pin (ISQ2CPES in PCD5090/xxx, PCA5097/xxx)
P0.0	98	96	I/O	off H	ISP2DPES ISQ2CPES	bidirectional 80C51 port pin (ISQ2CPES in PCD5090/xxx, PCA5097/xxx)
M_RESET	99	97	I	–	DIDP0PES	master reset input (Schmitt trigger)
RESET_OUT	100	98	O	H	ISF2DPES	reset output

# DECT baseband controller

# PCD5091

## 6 FUNCTIONAL DESCRIPTION

The PCD509x is a family of single-chip controllers, designed for use in Digital Enhanced Cordless Telecommunications systems (DECT). The family is designed for minimum component-count and minimum power consumption. All controllers include an embedded 80C51 microcontroller with on-chip memory and I<sup>2</sup>C-bus. The Philips DECT RF interface is implemented. The Burst Mode Logic (BML) performs the time-critical MAC layer functions for applications in DECT handsets and base stations. The ADPCM transcoding is in compliance with the CCITT recommendation G.721 and includes receive and transmit filters.

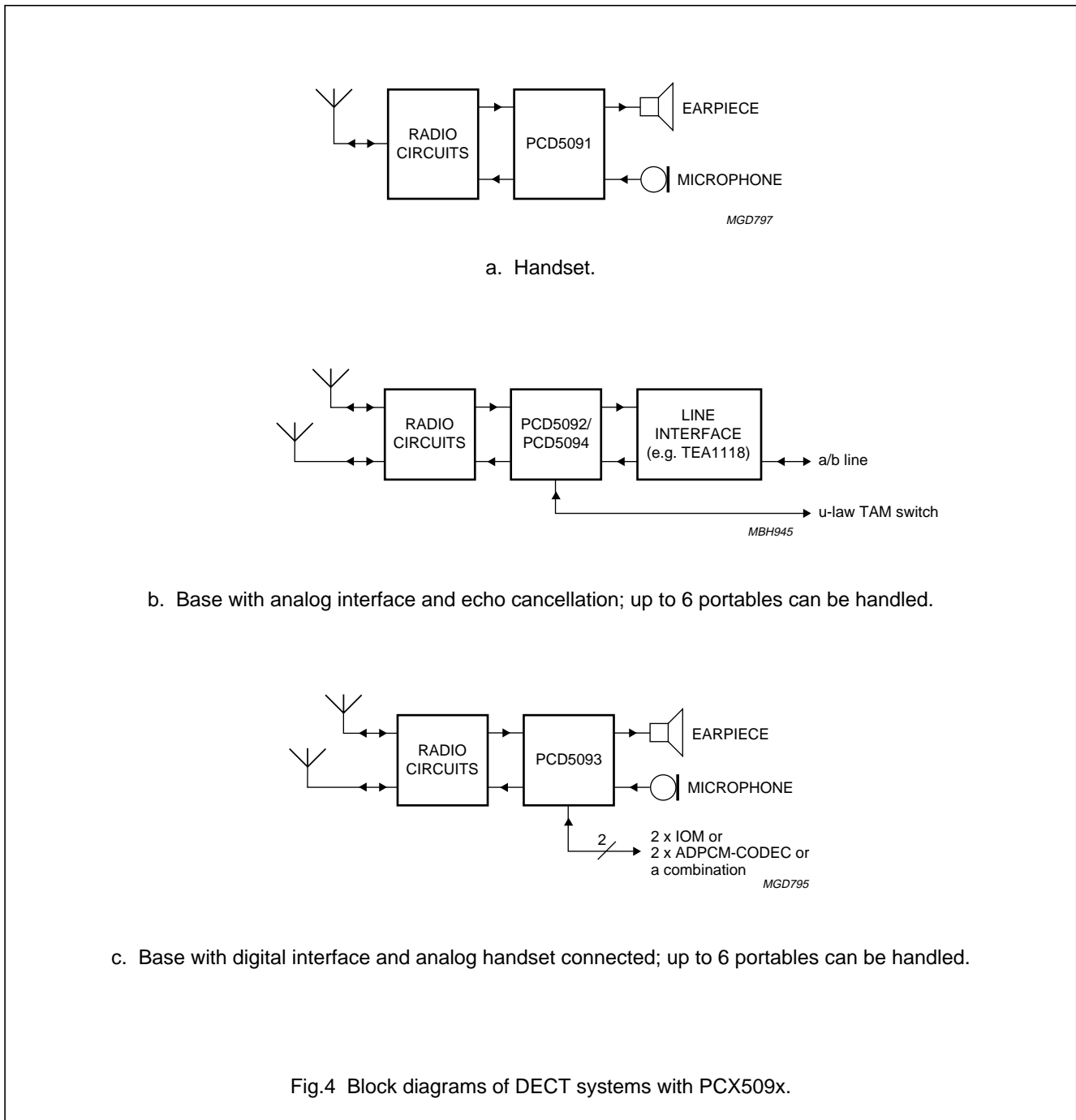


Fig.4 Block diagrams of DECT systems with PCX509x.

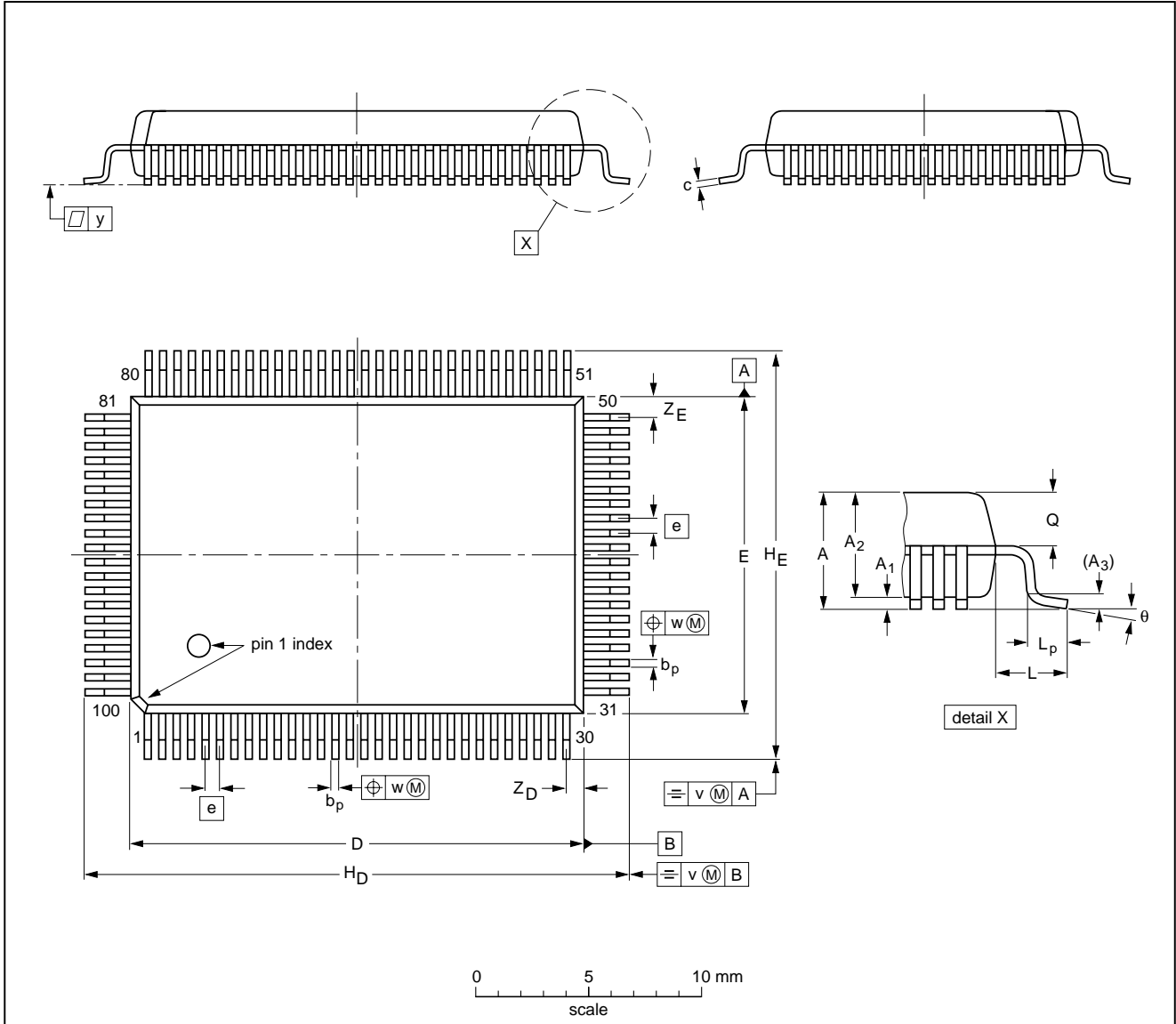
DECT baseband controller

PCD5091

7 PACKAGE OUTLINE

QFP100: plastic quad flat package; 100 leads (lead length 1.95 mm); body 14 x 20 x 2.8 mm

SOT317-2



DIMENSIONS (mm are the original dimensions)

UNIT	A max.	A <sub>1</sub>	A <sub>2</sub>	A <sub>3</sub>	b <sub>p</sub>	c	D <sup>(1)</sup>	E <sup>(1)</sup>	e	H <sub>D</sub>	H <sub>E</sub>	L	L <sub>p</sub>	Q	v	w	y	Z <sub>D</sub> <sup>(1)</sup>	Z <sub>E</sub> <sup>(1)</sup>	θ
mm	3.20	0.25 0.05	2.90 2.65	0.25	0.40 0.25	0.25 0.14	20.1 19.9	14.1 13.9	0.65	24.2 23.6	18.2 17.6	1.95	1.0 0.6	1.4 1.2	0.2	0.15	0.1	0.8 0.4	1.0 0.6	7° 0°

Note

1. Plastic or metal protrusions of 0.25 mm maximum per side are not included.

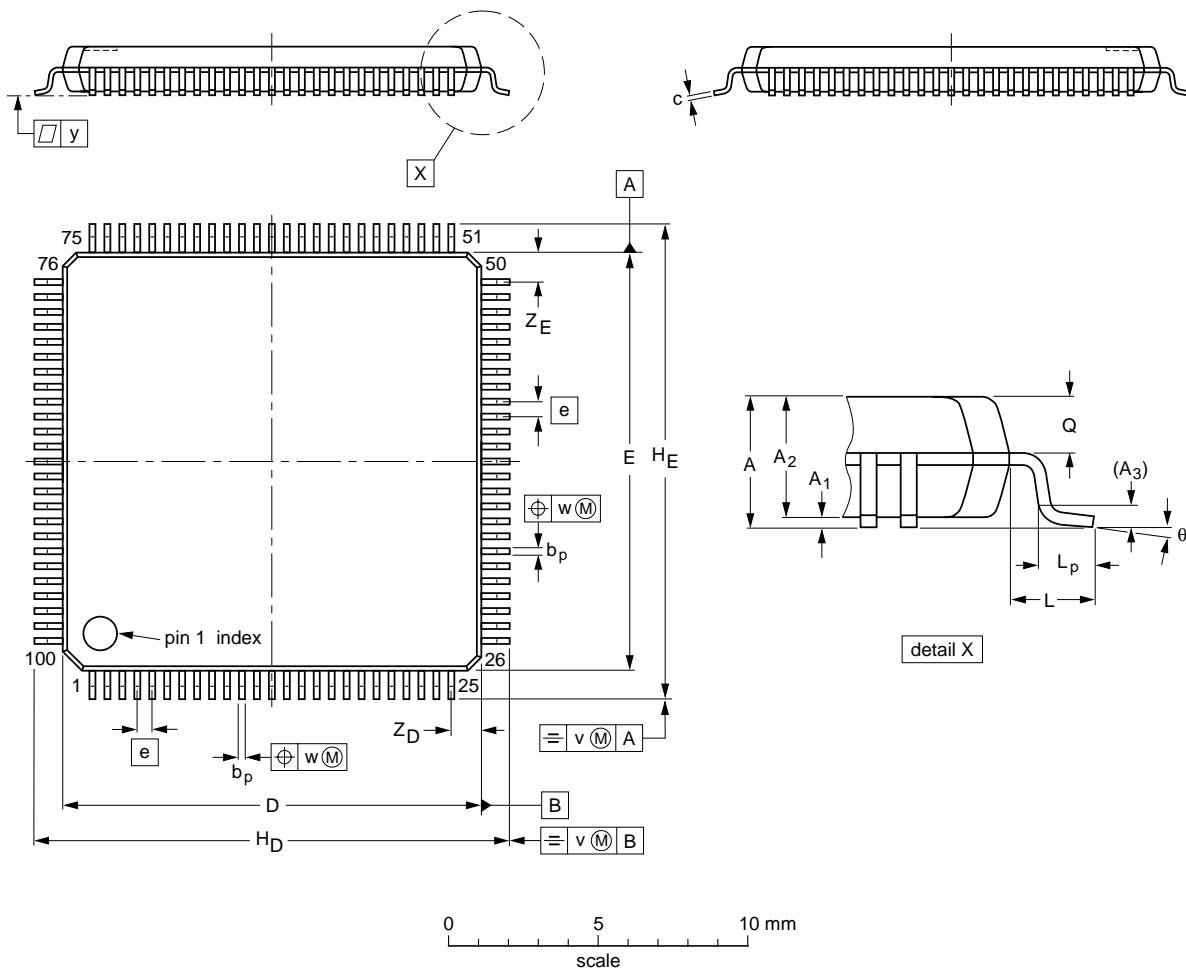
OUTLINE VERSION	REFERENCES			EUROPEAN PROJECTION	ISSUE DATE
	IEC	JEDEC	EIAJ		
SOT317-2					92-11-17 95-02-04

DECT baseband controller

PCD5091

LQFP100: plastic low profile quad flat package; 100 leads; body 14 x 14 x 1.4 mm

SOT407-1



DIMENSIONS (mm are the original dimensions)

UNIT	A max.	A <sub>1</sub>	A <sub>2</sub>	A <sub>3</sub>	b <sub>p</sub>	c	D <sup>(1)</sup>	E <sup>(1)</sup>	e	H <sub>D</sub>	H <sub>E</sub>	L	L <sub>p</sub>	Q	v	w	y	Z <sub>D</sub> <sup>(1)</sup>	Z <sub>E</sub> <sup>(1)</sup>	θ
mm	1.6	0.20 0.05	1.5 1.3	0.25	0.28 0.16	0.18 0.12	14.1 13.9	14.1 13.9	0.5	16.25 15.75	16.25 15.75	1.0	0.75 0.45	0.70 0.57	0.2	0.12	0.1	1.15 0.85	1.15 0.85	7° 0°

Note

1. Plastic or metal protrusions of 0.25 mm maximum per side are not included.

OUTLINE VERSION	REFERENCES				EUROPEAN PROJECTION	ISSUE DATE
	IEC	JEDEC	EIAJ			
SOT407-1						95-12-19

## DECT baseband controller

## PCD5091

## 8 SOLDERING

### 8.1 Introduction

There is no soldering method that is ideal for all IC packages. Wave soldering is often preferred when through-hole and surface mounted components are mixed on one printed-circuit board. However, wave soldering is not always suitable for surface mounted ICs, or for printed-circuits with high population densities. In these situations reflow soldering is often used.

This text gives a very brief insight to a complex technology. A more in-depth account of soldering ICs can be found in our *"IC Package Databook"* (order code 9398 652 90011).

### 8.2 Reflow soldering

Reflow soldering techniques are suitable for all LQFP and QFP packages.

The choice of heating method may be influenced by larger plastic QFP packages (44 leads, or more). If infrared or vapour phase heating is used and the large packages are not absolutely dry (less than 0.1% moisture content by weight), vaporization of the small amount of moisture in them can cause cracking of the plastic body. For more information, refer to the Drypack chapter in our *"Quality Reference Handbook"* (order code 9397 750 00192).

Reflow soldering requires solder paste (a suspension of fine solder particles, flux and binding agent) to be applied to the printed-circuit board by screen printing, stencilling or pressure-syringe dispensing before package placement.

Several techniques exist for reflowing; for example, thermal conduction by heated belt. Dwell times vary between 50 and 300 seconds depending on heating method. Typical reflow temperatures range from 215 to 250 °C.

Preheating is necessary to dry the paste and evaporate the binding agent. Preheating duration: 45 minutes at 45 °C.

### 8.3 Wave soldering

Wave soldering is **not** recommended for LQFP or QFP packages. This is because of the likelihood of solder bridging due to closely-spaced leads and the possibility of incomplete solder penetration in multi-lead devices.

If wave soldering cannot be avoided, the following conditions must be observed:

- A double-wave (a turbulent wave with high upward pressure followed by a smooth laminar wave) soldering technique should be used.
- The footprint must be at an angle of 45° to the board direction and must incorporate solder thieves downstream and at the side corners.

Even with these conditions:

- Do not consider wave soldering LQFP packages LQFP48 (SOT313-2), LQFP64 (SOT314-2) or LQFP80 (SOT315-1).
- Do not consider wave soldering QFP packages QFP52 (SOT379-1), QFP100 (SOT317-1), QFP100 (SOT317-2), QFP100 (SOT382-1) or QFP160 (SOT322-1).

During placement and before soldering, the package must be fixed with a droplet of adhesive. The adhesive can be applied by screen printing, pin transfer or syringe dispensing. The package can be soldered after the adhesive is cured.

Maximum permissible solder temperature is 260 °C, and maximum duration of package immersion in solder is 10 seconds, if cooled to less than 150 °C within 6 seconds. Typical dwell time is 4 seconds at 250 °C.

A mildly-activated flux will eliminate the need for removal of corrosive residues in most applications.

### 8.4 Repairing soldered joints

Fix the component by first soldering two diagonally-opposite end leads. Use only a low voltage soldering iron (less than 24 V) applied to the flat part of the lead. Contact time must be limited to 10 seconds at up to 300 °C. When using a dedicated tool, all other leads can be soldered in one operation within 2 to 5 seconds between 270 and 320 °C.

## DECT baseband controller

PCD5091

**9 DEFINITIONS**

<b>Data sheet status</b>	
Objective specification	This data sheet contains target or goal specifications for product development.
Preliminary specification	This data sheet contains preliminary data; supplementary data may be published later.
Product specification	This data sheet contains final product specifications.
Short-form specification	The data in this specification is extracted from a full data sheet with the same type number and title. For detailed information see the relevant data sheet or data handbook.
<b>Limiting values</b>	
Limiting values given are in accordance with the Absolute Maximum Rating System (IEC 134). Stress above one or more of the limiting values may cause permanent damage to the device. These are stress ratings only and operation of the device at these or at any other conditions above those given in the Characteristics sections of the specification is not implied. Exposure to limiting values for extended periods may affect device reliability.	
<b>Application information</b>	
Where application information is given, it is advisory and does not form part of the specification.	

**10 LIFE SUPPORT APPLICATIONS**

These products are not designed for use in life support appliances, devices, or systems where malfunction of these products can reasonably be expected to result in personal injury. Philips customers using or selling these products for use in such applications do so at their own risk and agree to fully indemnify Philips for any damages resulting from such improper use or sale.

**11 PURCHASE OF PHILIPS I<sup>2</sup>C COMPONENTS**

Purchase of Philips I<sup>2</sup>C components conveys a license under the Philips' I<sup>2</sup>C patent to use the components in the I<sup>2</sup>C system provided the system conforms to the I<sup>2</sup>C specification defined by Philips. This specification can be ordered using the code 9398 393 40011.

# Philips Semiconductors – a worldwide company

**Argentina:** see South America

**Australia:** 34 Waterloo Road, NORTH RYDE, NSW 2113,  
Tel. +61 2 9805 4455, Fax. +61 2 9805 4466

**Austria:** Computerstr. 6, A-1101 WIEN, P.O. Box 213, Tel. +43 160 1010,  
Fax. +43 160 101 1210

**Belarus:** Hotel Minsk Business Center, Bld. 3, r. 1211, Volodarski Str. 6,  
220050 MINSK, Tel. +375 172 200 733, Fax. +375 172 200 773

**Belgium:** see The Netherlands

**Brazil:** see South America

**Bulgaria:** Philips Bulgaria Ltd., Energoproject, 15th floor,  
51 James Bourchier Blvd., 1407 SOFIA,  
Tel. +359 2 689 211, Fax. +359 2 689 102

**Canada:** PHILIPS SEMICONDUCTORS/COMPONENTS,  
Tel. +1 800 234 7381

**China/Hong Kong:** 501 Hong Kong Industrial Technology Centre,  
72 Tat Chee Avenue, Kowloon Tong, HONG KONG,  
Tel. +852 2319 7888, Fax. +852 2319 7700

**Colombia:** see South America

**Czech Republic:** see Austria

**Denmark:** Prags Boulevard 80, PB 1919, DK-2300 COPENHAGEN S,  
Tel. +45 32 88 2636, Fax. +45 31 57 0044

**Finland:** Sinikalliontie 3, FIN-02630 ESPOO,  
Tel. +358 9 615800, Fax. +358 9 61580920

**France:** 4 Rue du Port-aux-Vins, BP317, 92156 SURESNES Cedex,  
Tel. +33 1 40 99 6161, Fax. +33 1 40 99 6427

**Germany:** Hammerbrookstraße 69, D-20097 HAMBURG,  
Tel. +49 40 23 53 60, Fax. +49 40 23 536 300

**Greece:** No. 15, 25th March Street, GR 17778 TAVROS/ATHENS,  
Tel. +30 1 4894 339/239, Fax. +30 1 4814 240

**Hungary:** see Austria

**India:** Philips INDIA Ltd, Band Box Building, 2nd floor,  
254-D, Dr. Annie Besant Road, Worli, MUMBAI 400 025,  
Tel. +91 22 493 8541, Fax. +91 22 493 0966

**Indonesia:** see Singapore

**Ireland:** Newstead, Clonskeagh, DUBLIN 14,  
Tel. +353 1 7640 000, Fax. +353 1 7640 200

**Israel:** RAPAC Electronics, 7 Kehilat Saloniki St, PO Box 18053,  
TEL AVIV 61180, Tel. +972 3 645 0444, Fax. +972 3 649 1007

**Italy:** PHILIPS SEMICONDUCTORS, Piazza IV Novembre 3,  
20124 MILANO, Tel. +39 2 6752 2531, Fax. +39 2 6752 2557

**Japan:** Philips Bldg 13-37, Kohnan 2-chome, Minato-ku, TOKYO 108,  
Tel. +81 3 3740 5130, Fax. +81 3 3740 5077

**Korea:** Philips House, 260-199 Itaewon-dong, Yongsan-ku, SEOUL,  
Tel. +82 2 709 1412, Fax. +82 2 709 1415

**Malaysia:** No. 76 Jalan Universiti, 46200 PETALING JAYA, SELANGOR,  
Tel. +60 3 750 5214, Fax. +60 3 757 4880

**Mexico:** 5900 Gateway East, Suite 200, EL PASO, TEXAS 79905,  
Tel. +9-5 800 234 7381

**Middle East:** see Italy

**Netherlands:** Postbus 90050, 5600 PB EINDHOVEN, Bldg. VB,  
Tel. +31 40 27 82785, Fax. +31 40 27 88399

**New Zealand:** 2 Wagener Place, C.P.O. Box 1041, AUCKLAND,  
Tel. +64 9 849 4160, Fax. +64 9 849 7811

**Norway:** Box 1, Manglerud 0612, OSLO,  
Tel. +47 22 74 8000, Fax. +47 22 74 8341

**Philippines:** Philips Semiconductors Philippines Inc.,  
106 Valero St. Salcedo Village, P.O. Box 2108 MCC, MAKATI,  
Metro MANILA, Tel. +63 2 816 6380, Fax. +63 2 817 3474

**Poland:** Ul. Lukiska 10, PL 04-123 WARSZAWA,  
Tel. +48 22 612 2831, Fax. +48 22 612 2327

**Portugal:** see Spain

**Romania:** see Italy

**Russia:** Philips Russia, Ul. Usatcheva 35A, 119048 MOSCOW,  
Tel. +7 095 755 6918, Fax. +7 095 755 6919

**Singapore:** Lorong 1, Toa Payoh, SINGAPORE 1231,  
Tel. +65 350 2538, Fax. +65 251 6500

**Slovakia:** see Austria

**Slovenia:** see Italy

**South Africa:** S.A. PHILIPS Pty Ltd., 195-215 Main Road Martindale,  
2092 JOHANNESBURG, P.O. Box 7430 Johannesburg 2000,  
Tel. +27 11 470 5911, Fax. +27 11 470 5494

**South America:** Rua do Rocio 220, 5th floor, Suite 51,  
04552-903 São Paulo, SÃO PAULO - SP, Brazil,  
Tel. +55 11 821 2333, Fax. +55 11 829 1849

**Spain:** Balmes 22, 08007 BARCELONA,  
Tel. +34 3 301 6312, Fax. +34 3 301 4107

**Sweden:** Kottbygatan 7, Akalla, S-16485 STOCKHOLM,  
Tel. +46 8 632 2000, Fax. +46 8 632 2745

**Switzerland:** Allmendstrasse 140, CH-8027 ZÜRICH,  
Tel. +41 1 488 2686, Fax. +41 1 481 7730

**Taiwan:** Philips Semiconductors, 6F, No. 96, Chien Kuo N. Rd., Sec. 1,  
TAIPEI, Taiwan Tel. +886 2 2134 2865, Fax. +886 2 2134 2874

**Thailand:** PHILIPS ELECTRONICS (THAILAND) Ltd.,  
209/2 Sanpavuth-Bangna Road Prakanong, BANGKOK 10260,  
Tel. +66 2 745 4090, Fax. +66 2 398 0793

**Turkey:** Talatpasa Cad. No. 5, 80640 GÜLTEPE/ISTANBUL,  
Tel. +90 212 279 2770, Fax. +90 212 282 6707

**Ukraine:** PHILIPS UKRAINE, 4 Patrice Lumumba str., Building B, Floor 7,  
252042 KIEV, Tel. +380 44 264 2776, Fax. +380 44 268 0461

**United Kingdom:** Philips Semiconductors Ltd., 276 Bath Road, Hayes,  
MIDDLESEX UB3 5BX, Tel. +44 181 730 5000, Fax. +44 181 754 8421

**United States:** 811 East Arques Avenue, SUNNYVALE, CA 94088-3409,  
Tel. +1 800 234 7381

**Uruguay:** see South America

**Vietnam:** see Singapore

**Yugoslavia:** PHILIPS, Trg N. Pasica 5/v, 11000 BEOGRAD,  
Tel. +381 11 625 344, Fax. +381 11 635 777

**For all other countries apply to:** Philips Semiconductors, Marketing & Sales Communications,  
Building BE-p, P.O. Box 218, 5600 MD EINDHOVEN, The Netherlands, Fax. +31 40 27 24825

**Internet:** <http://www.semiconductors.philips.com>

© Philips Electronics N.V. 1997

SCA55

All rights are reserved. Reproduction in whole or in part is prohibited without the prior written consent of the copyright owner.

The information presented in this document does not form part of any quotation or contract, is believed to be accurate and reliable and may be changed without notice. No liability will be accepted by the publisher for any consequence of its use. Publication thereof does not convey nor imply any license under patent- or other industrial or intellectual property rights.

Printed in The Netherlands

437027/00/02/pp16

Date of release: 1997 Jul 21

Document order number: 9397 750 01656

*Let's make things better.*

**Philips  
Semiconductors**



**PHILIPS**