

DATA SHEET



TEA6840H New In Car Entertainment (NICE) car radio

Product specification
Supersedes data of 1999 Jul 12
File under Integrated Circuits, IC01

2001 Mar 08

New In Car Entertainment (NICE) car radio

TEA6840H

CONTENTS	13	TEST AND APPLICATION INFORMATION
1	14	PACKAGE OUTLINE
2	15	SOLDERING
3	15.1	Introduction to soldering surface mount packages
4	15.2	Reflow soldering
5	15.3	Wave soldering
6	15.4	Manual soldering
7	15.5	Suitability of surface mount IC packages for wave and reflow soldering methods
7.1	16	DATA SHEET STATUS
7.1.1	17	DEFINITIONS
7.1.2	18	DISCLAIMERS
7.1.3	19	PURCHASE OF PHILIPS I ² C COMPONENTS
7.2		
7.2.1		
7.2.2		
7.2.3		
7.2.4		
7.2.5		
7.3		
7.3.1		
7.3.2		
7.3.3		
7.3.4		
7.3.5		
7.3.6		
7.4		
8		
9		
10		
11		
12		
12.1		
12.1.1		
12.1.2		
12.1.3		
12.1.4		
12.2		
12.2.1		
12.2.2		
12.2.3		
12.2.4		
12.2.5		
12.2.6		
12.2.7		
12.2.8		

New In Car Entertainment (NICE) car radio

TEA6840H

1 FEATURES

- FM mixer for conversion of FM RF from 65 to 108 MHz to IF of 10.7 MHz; the mixer provides inherent image rejection
- FM RF mixer can be set to receive weather band radio up to 162.55 MHz; weather band radio flag output
- AM mixer 1 for conversion of AM RF to AM IF1 of 10.7 MHz
- LC tuner oscillator providing mixer frequencies for FM mixer and AM mixer 1
- AM mixer 2 for conversion of AM IF1 to AM IF2 of 450 kHz
- Crystal oscillator providing mixer frequencies for AM mixer 2 and reference for synthesizer PLL, IF count, timing for Radio Data System (RDS) update and reference frequency for car audio signal processor ICs
- Fast synthesizer PLL tuning system with local control for inaudible RDS updating
- Timing function for RDS update algorithm and control signal output for car audio signal processor ICs (TEA688x, SAA77xx) or car radio integrated signal processor IC (TEF6890H)
- Digital auto alignment circuit for conversion of LC oscillator tuning voltage to controlled alignment voltage of FM antenna tank circuit
- AGC PIN diode drive circuit for FM RF AGC; AGC detection at FM mixer input; the AGC PIN diode drive can be activated by the I²C-bus as a local or distance function; AGC threshold is a programmable and keyed function switchable via the I²C-bus
- FM IF linear amplifiers with high dynamic input range
- FM quadrature demodulator with automatic centre frequency adjustment and Total Harmonic Distortion (THD) compensation
- Level detector for AM and FM with temperature compensated output voltage; starting point and slope of level output is programmable via the I²C-bus
- AM RF PIN diode drive circuit; AGC threshold detection at AM mixer 1 and IF2 AGC input; threshold is programmable via the I²C-bus; AM IF2 AGC and demodulator
- AM AF output switchable to provide AM IF2 for AM stereo decoder
- AM noise blanker with blanking at AM IF2
- Several test modes available for fast IC and system tests.



2 GENERAL DESCRIPTION

The TEA6840H is a single IC with car radio tuner for AM and FM intended for microcontroller tuning with the I²C-bus providing the following functions:

- AM double conversion receiver for LW, MW and SW (31 m, 41 m and 49 m bands) with IF1 = 10.7 MHz and IF2 = 450 kHz
- FM single conversion receiver with integrated image rejection for IF = 10.7 MHz capable of selecting US FM, US weather, Europe FM, East Europe FM and Japan FM bands.

New In Car Entertainment (NICE) car radio

TEA6840H

3 QUICK REFERENCE DATA

SYMBOL	PARAMETER	CONDITIONS	MIN.	TYP.	MAX.	UNIT
$V_{DDA(n)}$	analog supply voltage 1, 3, 4, 5 and 6		8	8.5	9	V
$I_{DDA(tot)}$	total analog supply current 1, 3, 4, 5 and 6	FM mode	45	56	67	mA
		AM mode	39	49	59	mA
V_{DDA2}	analog supply voltage 2		4.75	5	5.25	V
I_{DDA2}	analog supply current 2	FM mode	6.5	8.1	9.8	mA
		AM mode	4.7	5.9	7.1	mA
V_{DDD}	digital supply voltage		4.75	5	5.25	V
I_{DDD}	digital supply current	FM mode	18	23	28	mA
		AM mode	18	23	28	mA
$f_{AM(ant)}$	AM input frequency	LW	0.144	–	0.288	MHz
		MW	0.522	–	1.710	MHz
		SW	5.85	–	9.99	MHz
$f_{FM(ant)}$	FM input frequency		65	–	108	MHz
$f_{FM(WB)(ant)}$	FM weather band input frequency		162.4	–	162.55	MHz
T_{amb}	ambient temperature		–40	–	+85	°C
AM overall system parameters (1 × SFE10.7MS3; 1 × SFR450H)						
(S+N)/N	signal plus noise-to-noise ratio	$m = 0.3$	–	58	–	dB
THD	total harmonic distortion	$m = 0.8$	–	0.3	–	%
		$m = 0.9$	–	0.5	–	%
FM overall system parameters (3 × SFE10.7MS3)						
(S+N)/N	signal plus noise-to-noise ratio	$\Delta f = 22.5$ kHz; de-emphasis = 50 μ s	–	65	–	dB
THD	total harmonic distortion	$\Delta f = 75$ kHz	–	0.6	1	%

4 ORDERING INFORMATION

TYPE NUMBER	PACKAGE		
	NAME	DESCRIPTION	VERSION
TEA6840H	QFP64	plastic quad flat package; 64 leads (lead length 1.95 mm); body 14 × 20 × 2.8 mm	SOT319-2

New In Car Entertainment (NICE) car radio

TEA6840H

5 BLOCK DIAGRAM

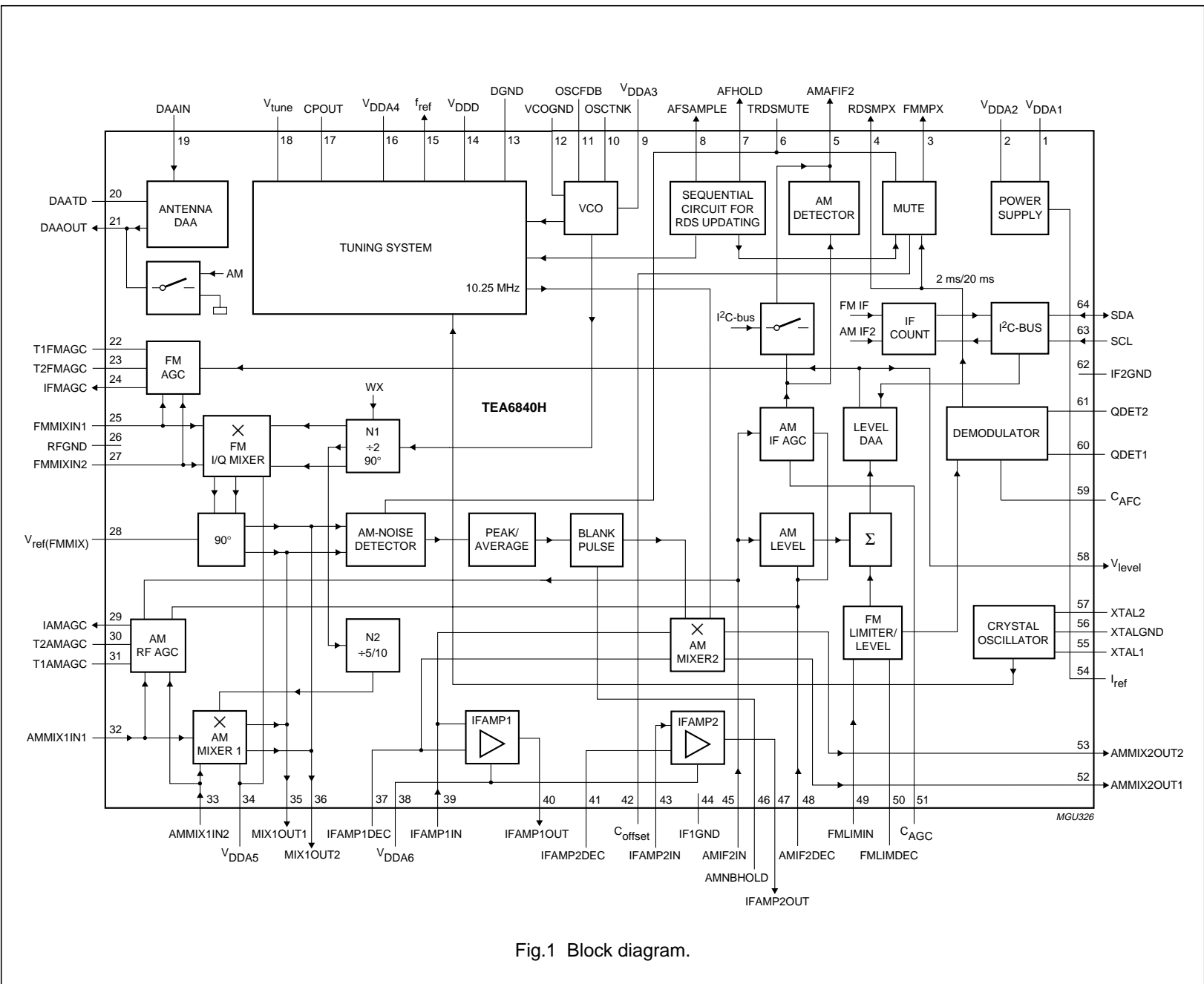


Fig.1 Block diagram.

New In Car Entertainment (NICE) car radio

TEA6840H

6 PINNING

SYMBOL	PIN	DESCRIPTION
V _{DDA1}	1	analog supply voltage 1 (8.5 V) for on-chip power supply
V _{DDA2}	2	analog supply voltage 2 (5 V) for on-chip power supply
FMMPX	3	FM demodulator MPX output
RDSMPX	4	MPX output for RDS decoder and signal processor (not muted)
AMAFIF2	5	AM demodulator AF output or IF2 output for AM stereo (multiplexed by I ² C-bus)
TRDSMUTE	6	time constant for RDS update mute
AFHOLD	7	AF hold flag output for car audio signal processor IC
AFSAMPLE	8	AF sample flag output for car audio signal processor IC
V _{DDA3}	9	analog supply voltage 3 (8.5 V) for VCO
OSCTNK	10	VCO tank circuit
OSCFDB	11	VCO feedback
VCOGND	12	VCO ground
DGND	13	digital ground
V _{DDD}	14	digital supply voltage (5 V)
f _{ref}	15	reference frequency output for signal processor IC
V _{DDA4}	16	analog supply voltage 4 (8.5 V) for tuning PLL
CPOUT	17	charge pump output
V _{tune}	18	tuning voltage
DAAIN	19	input of digital auto alignment circuit for antenna tank circuit
DAATD	20	temperature compensation diode of digital auto alignment circuit for antenna tank circuit
DAAOUT	21	output of digital auto alignment circuit for antenna tank circuit
T1FMAGC	22	1st time constant of FM front-end AGC
T2FMAGC	23	2nd time constant of FM front-end AGC
IFMAGC	24	PIN diode drive current output of FM front-end AGC
FMMIXIN1	25	FM RF mixer input 1
RFGND	26	RF ground
FMMIXIN2	27	FM RF mixer input 2
V _{ref(FMMIX)}	28	reference voltage for FM I/Q mixer
IAMAGC	29	PIN diode drive current output of AM front-end AGC
T2AMAGC	30	2nd time constant of AM front-end AGC
T1AMAGC	31	1st time constant of AM front-end AGC
AMMIX1IN1	32	AM mixer 1 input 1
AMMIX1IN2	33	AM mixer 1 input 2
V _{DDA5}	34	analog supply voltage 5 (8.5 V) for FM mixer and AM mixer 1
MIX1OUT1	35	FM mixer and AM mixer 1 IF output 1 (10.7 MHz)
MIX1OUT2	36	FM mixer and AM mixer 1 IF output 2 (10.7 MHz)
IFAMP1DEC	37	AM mixer 2 and FM IF amplifier 1 decoupling
V _{DDA6}	38	analog supply voltage 6 (8.5 V) for IF amplifier 1 and 2
IFAMP1IN	39	IF amplifier 1 and AM mixer 2 input (10.7 MHz)
IFAMP1OUT	40	IF amplifier 1 output (10.7 MHz)

New In Car Entertainment (NICE) car radio

TEA6840H

SYMBOL	PIN	DESCRIPTION
IFAMP2DEC	41	IF amplifier 2 decoupling and AGC capacitor for AM noise blanker
C _{offset}	42	DC feedback for offset compensation RDS mute
IFAMP2IN	43	IF amplifier 2 input (10.7 MHz)
IF1GND	44	AM IF1 ground
AMIF2IN	45	AM IF2 input (450 kHz) for demodulator AGC and AM level detector
AMNBHOLD	46	AM noise blanker threshold
IFAMP2OUT	47	IF amplifier 2 output (10.7 MHz)
AMIF2DEC	48	decoupling for AM IF2 input
FMLIMIN	49	FM limiter input (10.7 MHz)
FMLIMDEC	50	FM limiter decoupling
C _{AGC}	51	AM IF AGC capacitor
AMMIX2OUT1	52	AM mixer 2 output 1 (450 kHz)
AMMIX2OUT2	53	AM mixer 2 output 2 (450 kHz)
I _{ref}	54	reference current for power supply
XTAL1	55	crystal oscillator 1
XTALGND	56	crystal oscillator ground
XTAL2	57	crystal oscillator 2
V _{level}	58	level voltage output for AM and FM
C _{AFC}	59	FM demodulator AFC capacitor
QDET1	60	quadrature demodulator tank 1
QDET2	61	quadrature demodulator tank 2
IF2GND	62	AM IF2 ground
SCL	63	I ² C-bus clock line input
SDA	64	I ² C-bus data line input and output

New In Car Entertainment (NICE) car radio

TEA6840H

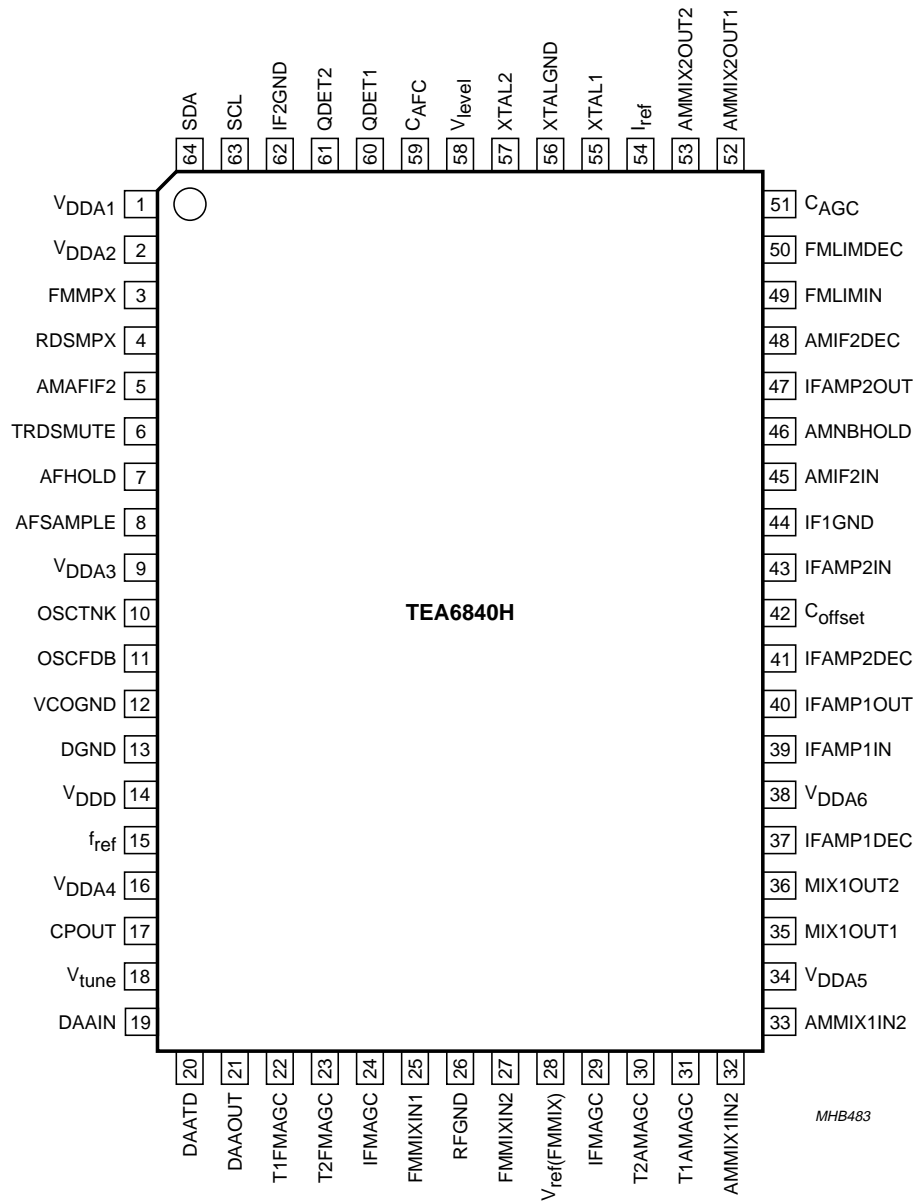


Fig.2 Pin configuration.

New In Car Entertainment (NICE) car radio

TEA6840H

7 FUNCTIONAL DESCRIPTION

7.1 Oscillators

7.1.1 VCO

The L and C tuned VCO provides the local oscillator signal for both FM and AM mixer 1. It has a frequency range of 151.2 to 248.2 MHz.

7.1.2 CRYSTAL OSCILLATOR

The crystal oscillator provides a 20.5 MHz signal that is used for:

- Reference frequency for frequency synthesizer PLL
- Local oscillator for AM mixer 2
- Reference frequency for the IF counter
- Timing signal for the RDS update algorithm
- Reference frequency (75.4 kHz) for the TEA6880H (car audio signal processor - CASP) or TEF6890H (car radio integrated signal processor).

7.1.3 PLL

Fast synthesizer PLL tuning system with local control for inaudible RDS updating.

7.2 FM signal channel

7.2.1 DAA

FM RF Digital Auto Alignment (DAA) circuitry for the conversion of the VCO tuning voltage to a controlled alignment voltage for the FM antenna tank circuit.

7.2.2 FM I/Q MIXER

FM quadrature mixer converts FM RF (65 to 162.55 MHz) to IF of 10.7 MHz. The FM mixer provides inherent image rejection and high RF sensitivity.

It is capable of tuning the US FM, US weather, Europe FM, Japan FM and East Europe FM bands:

- US FM = 87.9 to 107.9 MHz
- US weather FM = 162.4 to 162.55 MHz
- Europe FM = 87.5 to 108 MHz
- Japan FM = 76.0 to 91 MHz
- East Europe FM = 65.8 to 74 MHz.

7.2.3 FM KEYED AGC

FM contains keyed wide-band RF AGC. AGC detection occurs at the FM mixer. The wide-band RF signal switches a narrow band signal (IF) from the FM IF level detector circuitry that controls the FM RF AGC block.

It includes an AGC PIN diode drive circuit for the FM RF AGC. The PIN diode drive can be activated via the I²C-bus as a local or distance function.

The AGC threshold is programmable and the keyed AGC function is switchable via the I²C-bus.

7.2.4 FM IF AMPLIFIERS

The two FM IF amplifiers provide 10 dB and 4 dB amplification with high linearity and dynamic range.

7.2.5 FM DEMODULATOR

The FM quadrature demodulator includes automatic centre frequency adjustment and THD compensation.

7.3 AM signal channel

7.3.1 AM TUNER INCLUDING MIXER 1 AND MIXER 2

The AM tuner is realized in a double conversion technique and is capable of selecting LW, MW and SW bands.

AM mixer 1 converts AM RF to IF1 of 10.7 MHz, while AM mixer 2 converts IF1 of 10.7 MHz to IF2 of 450 kHz:

- LW = 144 to 288 kHz
- MW = 530 to 1710 kHz (US AM band)
- SW = 5.85 to 9.99 MHz (including the 31 m, 41 m and 49 m bands).

7.3.2 AM RF AGC AND IF2 AGC

The AM RF includes a PIN diode drive circuit. The threshold detection points for AM AGC are performed at AM mixer 1 and AM IF2. AGC thresholds are programmable via the I²C-bus.

7.3.3 AM DETECTOR

The AM detector provides AM level information and AM AF or AM IF2.

7.3.4 AM AF OR IF2 SWITCH

The AM output provides either a detected AM AF or the corresponding AM IF2 signal. The IF2 signal can be used for AM stereo decoder processing.

New In Car Entertainment (NICE) car radio

TEA6840H

7.3.5 AM NOISE DETECTOR AND BLANKER

The detection point for the AM noise blanker is the output stage of AM mixer 1, while blanking is realized at the output of the mixer 2.

Trigger sensitivity can be modified by changing the resistor value at pin AMNBHOLD.

7.3.6 FM AND AM LEVEL DETECTOR

FM and AM level detectors provide the temperature compensated output voltage. The starting points and slopes of the level detector outputs are programmable via the I²C-bus.

7.4 Test mode

The test mode of the IC is activated by:

- Sending the test byte (byte 5) to the IC
- Connecting pin f_{ref} through a 100 k Ω resistor to V_{DDA1}
- Applying 50 μ A to pin f_{ref} .

If the test mode is enabled by pin f_{ref} :

- The settling time of the AM IF2 AGC is reduced to less than 100 ms in the nominal application
- The digital-to-analog converters for the antenna DAA and the level DAA can be clocked directly by the SCL line of the I²C-bus
- The output at pin f_{ref} can be selected by the I²C-bus: TEA6880H or TEF6890H reference frequency, PLL reference frequency or PLL programmable divider output frequency
- The RDS update control circuit can be clocked directly via pin DAATD
- Pin T1AMAGC can be used to enable the load PLL circuit of the RDS update control circuit
- Charge pumps can be set into 3-state mode.

8 LIMITING VALUES

In accordance with the Absolute Maximum Rating System (IEC 60134).

SYMBOL	PARAMETER	CONDITIONS	MIN.	MAX.	UNIT
V_{DDA1}	analog supply voltage 1 for on-chip power supply		-0.3	+10	V
V_{DDA2}	analog supply voltage 2 for on-chip power supply		-0.3	+6.5	V
V_{DDA3}	analog supply voltage 3 for VCO		-0.3	+10	V
V_{DDA4}	analog supply voltage 4 for tuning PLL		-0.3	+10	V
V_{DDA5}	analog supply voltage 5 for FM and AM RF		-0.3	+10	V
V_{DDA6}	analog supply voltage 6 for IF amplifier 1 and 2		-0.3	+10	V
V_{DDD}	digital supply voltage		-0.3	+6.5	V
T_{stg}	storage temperature		-55	+150	°C
T_{amb}	ambient temperature		-40	+85	°C
V_{es}	electrostatic handling voltage	note 1	-200	+200	V
		note 2	-2000	+2000	V

Notes

1. Machine model (R = 0 Ω , C = 200 pF).
2. Human body model (R = 1.5 k Ω , C = 100 pF).

9 THERMAL CHARACTERISTICS

SYMBOL	PARAMETER	CONDITIONS	VALUE	UNIT
$R_{th(j-a)}$	thermal resistance from junction to ambient	in free air	48	K/W

New In Car Entertainment (NICE) car radio

TEA6840H

10 DC CHARACTERISTICS

$V_{DDA1} = V_{DDA3} = V_{DDA4} = V_{DDA5} = V_{DDA6} = 8.5 \text{ V}$; $V_{DDA2} = 5 \text{ V}$; $V_{DDD} = 5 \text{ V}$; $T_{\text{amb}} = 25 \text{ }^{\circ}\text{C}$; unless otherwise specified.

SYMBOL	PARAMETER	CONDITIONS	MIN.	TYP.	MAX.	UNIT
Supply voltage						
$V_{DDA(n)}$	analog supply voltage 1, 3, 4, 5 and 6		8	8.5	9	V
V_{DDA2}	analog supply voltage 2		4.75	5	5.25	V
V_{DDD}	digital supply voltage		4.75	5	5.25	V
Supply current in FM mode						
I_{DDD}	digital supply current		18	23	28	mA
I_{DDA1}	analog supply current 1 for on-chip power supply		–	15	–	mA
I_{DDA2}	analog supply current 2 for on-chip power supply		6.5	8.1	9.8	mA
I_{DDA3}	analog supply current 3 for VCO		–	6.5	–	mA
I_{DDA4}	analog supply current 4 for tuning PLL	test mode; bit TMS3 = 1	–	2.9	–	mA
I_{DDA5}	analog supply current 5 for FM RF		–	5	–	mA
I_{DDA6}	analog supply current 6 for FM IF amplifier 1 and 2		12	14	16	mA
$I_{MIX1OUT1}$	bias current of FM mixer output 1		4.8	6	7.2	mA
$I_{MIX1OUT2}$	bias current of FM mixer output 2		4.8	6	7.2	mA
Supply current in AM mode						
I_{DDD}	digital supply current		18	23	28	mA
I_{DDA1}	analog supply current 1 for on-chip power supply		–	17.5	–	mA
I_{DDA2}	analog supply current 2 for on-chip power supply		4.7	5.9	7.1	mA
I_{DDA3}	analog supply current 3 for VCO		–	6.5	–	mA
I_{DDA4}	analog supply current 4 for tuning PLL	test mode; bit TMS3 = 1	–	1.6	–	mA
I_{DDA5}	analog supply current 5 for RF		–	1.8	–	mA
$I_{MIX1OUT1}$	bias current of AM mixer 1 output 1		4.8	6	7.2	mA
$I_{MIX1OUT2}$	bias current of AM mixer 1 output 2		4.8	6	7.2	mA
$I_{AMMIX2OUT1}$	bias current of AM mixer 2 output 1		3.6	4.5	5.4	mA
$I_{AMMIX2OUT2}$	bias current of AM mixer 2 output 2		3.6	4.5	5.4	mA
On-chip power supply reference current generator: pin I_{ref}						
$V_{O(\text{ref})}$	output reference voltage		4	4.25	4.5	V
R_o	output resistance		8	11	13	k Ω
$I_{O(\text{max})}$	maximum output current		–100	–	+100	nA

New In Car Entertainment (NICE) car radio

TEA6840H

11 AC CHARACTERISTICS

$V_{DDA1} = V_{DDA3} = V_{DDA4} = V_{DDA5} = V_{DDA6} = 8.5 \text{ V}$; $V_{DDA2} = 5 \text{ V}$; $V_{DDD} = 5 \text{ V}$; $T_{\text{amb}} = 25 \text{ }^{\circ}\text{C}$; see Figs 9 and 10; unless otherwise specified.

SYMBOL	PARAMETER	CONDITIONS	MIN.	TYP.	MAX.	UNIT
Voltage controlled oscillator						
f_{osc}	oscillator frequency		151.2	–	248.2	MHz
C/N	carrier-to-noise ratio	$f_{\text{osc}} = 200 \text{ MHz}$; $\Delta f = 10 \text{ kHz}$	–	101	–	$\frac{\text{dBc}}{\sqrt{\text{Hz}}}$
RR	ripple rejection	$f_{\text{ripple}} = 100 \text{ Hz}$; $V_{\text{DDA3(ripple)}} = 100 \text{ mV (RMS)}$	–	97	–	dB
		$f_{\text{osc}} = 250 \text{ MHz}$	–	99	–	dB
		$f_{\text{osc}} = 200 \text{ MHz}$	–	99	–	dB
FEEDBACK INPUT: PIN OSCFDB						
$V_{i(\text{bias})}$	input bias voltage		2.2	2.8	3.4	V
TANK CIRCUIT OUTPUT: PIN OSCTNK						
V_{O}	DC output voltage		5	6.1	7.2	V
$V_{\text{O(rms)}}$	AC output voltage (RMS value)	$f_{\text{osc}} = 200 \text{ MHz}$	–	1.5	–	V
Crystal oscillator						
f_{xtal}	crystal frequency		20.4996	20.5	20.5004	MHz
R_{xtal}	crystal motional resistance	start of operating	–	–	500	Ω
C_{xtal}	crystal shunt capacitance		–	–	18	pF
C/N	carrier-to-noise ratio	$f_{\text{xtal}} = 20.5 \text{ MHz (10.25 MHz)}$; $\Delta f = 10 \text{ kHz}$	–	112	–	$\frac{\text{dBc}}{\sqrt{\text{Hz}}}$
CIRCUIT INPUTS: PINS XTAL1, XTAL2 AND XTALGND						
$V_{\text{xtal(rms)}}$	crystal voltage (RMS value)	note 1	–	350	–	mV
V_{XTAL1} , V_{XTAL2}	DC bias voltage		1.7	2.1	2.5	V
R_i	real part of input impedance	$V_{\text{XTAL1}} - V_{\text{XTAL2}} = 1 \text{ mV}$; note 1	–500	–	–	Ω
C_i	input capacitance	note 1	8	10	12	pF
I_{XTALGND}	crystal oscillator circuit current	start-up at $V_{\text{XTAL1}} = V_{\text{XTAL2}} = 2.1 \text{ V}$	–	9	–	mA
		operating at $V_{\text{XTAL1}} - V_{\text{XTAL2}} = \pm 400 \text{ mV}$	–	1.5	–	mA
Oscillator divider N1						
N1	oscillator divider ratio	FM mode:	–	2	–	
		standard, Europe and local weather band (WX)	–	1	–	

New In Car Entertainment (NICE) car radio

TEA6840H

SYMBOL	PARAMETER	CONDITIONS	MIN.	TYP.	MAX.	UNIT
Oscillator divider N2						
N2	oscillator divider ratio	AM mode				
		SW	–	10	–	
		LW and MW	–	5	–	
Synthesizer						
PROGRAMMABLE DIVIDER						
N _{prog}	programmable divider ratio		512	–	32767	
ΔN _{step}	programmable divider step size		–	1	–	
REFERENCE FREQUENCY DIVIDER						
N _{ref}	crystal oscillator divider ratio	f _{xtal} = 20.5 MHz				
		f _{ref} = 100 kHz	–	205	–	
		f _{ref} = 500 kHz	–	410	–	
		f _{ref} = 25 kHz	–	820	–	
		f _{ref} = 20 kHz	–	1025	–	
		f _{ref} = 10 kHz	–	2050	–	
CHARGE PUMP: PIN CPOUT						
I _{sink(cp1)}	low charge pump 1 peak sink current	FM weather band mode; 0.4 V < V _{CPOUT} < 7.6 V	200	300	400	μA
I _{source(cp1)}	low charge pump 1 peak source current	FM weather band mode; 0.4 V < V _{CPOUT} < 7.6 V	–400	–300	–200	μA
I _{sink(cp1)h}	high charge pump 1 peak sink current	AM stereo mode; N2 = 10 (LW and MW); 0.4 V < V _{CPOUT} < 7.6 V	0.7	1	1.3	mA
I _{source(cp1)h}	high charge pump 1 peak source current	AM stereo mode; N2 = 10 (LW and MW); 0.4 V < V _{CPOUT} < 7.6 V	–1.3	–1	–0.7	mA
I _{sink(cp2)}	charge pump 2 peak sink current	FM standard mode; 0.3 V < V _{CPOUT} < 7.1 V	100	130	160	μA
I _{source(cp2)}	charge pump 2 peak source current	FM standard mode; 0.3 V < V _{CPOUT} < 7.1 V	–160	–130	–100	μA
I _{Z(cp1)} , I _{Z(cp2)}	charge pump 1 or 2 current in 3-state	0 < V _{CPOUT} < 8.5 V	–5	–	+5	nA
CHARGE PUMP: PIN V _{tune}						
I _{sink(cp3)}	charge pump 3 peak sink current	FM standard mode; 0.4 V < V _{tune} < 7.6 V	2.1	3	3.9	mA
I _{source(cp3)}	charge pump 3 peak source current	FM standard mode; 0.4 V < V _{tune} < 7.6 V	–3.9	–3	–2.1	mA
I _{Z(cp3)}	charge pump 3 current in 3-state	0 < V _{tune} < 8.5 V	–5	–	+5	nA

New In Car Entertainment (NICE) car radio

TEA6840H

SYMBOL	PARAMETER	CONDITIONS	MIN.	TYP.	MAX.	UNIT
Antenna Digital Auto Alignment (DAA)						
DAA INPUT: PIN DAAIN						
$I_{bias(cp)}$	charge pump buffer input bias current	FM mode; $0.4\text{ V} < V_{DAAIN} < 8.0\text{ V}$	-10	-	+10	nA
		AM mode; $0\text{ V} < V_{DAAIN} < 8.5\text{ V}$	-10	-	+10	nA
$V_{i(cp)}$	charge pump buffer input voltage		0	-	8.5	V
DAA OUTPUT: PIN DAAOUT; note 2						
$V_{o(AM)}$	DAA output voltage in AM mode		-	-	0.3	V
$V_{o(FM)}$	DAA output voltage in FM mode	$V_{DAAIN} = 4.0\text{ V};$ $V_{DAAATD} = 0.7\text{ V}$ minimum value	-	-	0.5	V
		bits DAA[6:0] set to logic 0	1.5	1.65	1.8	V
		value: data byte 3 = 10101011	3.8	4	4.2	V
		maximum value; bits DAA[6:0] set to logic 1	8	-	8.5	V
		$V_{DAAIN} = 3.0\text{ V};$ $V_{DAAATD} = 0.7\text{ V};$ bits DAA[6:0] set to logic 1	6.2	6.5	6.8	V
		$V_{DAAIN} = 2\text{ V}$ data byte 3 = 11010101	3	3.3	3.6	V
		data byte 3 = 10101010	1.8	2	2.2	V
$V_{o(n)}$	DAA output noise voltage	FM mode; $V_{DAAIN} = 4\text{ V};$ data byte 3: bit 6 = 1, bits 5 to 0 = 0; B = 300 Hz to 15 kHz	-	30	100	μV
$\Delta V_{o(T)}$	DAA output voltage variation with temperature	$T_{amb} = -40\text{ to }+85\text{ }^\circ\text{C};$ data byte 3 = 10101011; $V_{DAAATD} = 0.7\text{ V}$	-8	-	+8	mV
$\Delta V_{o(step)}$	DAA step accuracy	FM mode; $V_{DAAOUT} < 8.0\text{ V};$ $n = 0\text{ to }127$	$0.5V_{LSB}$	V_{LSB}	$1.5V_{LSB}$	mV
$I_{o(sink)}$	DAA output sink current	$0.2\text{ V} < V_{DAAOUT} < 8.25\text{ V}$	50	-	-	μA
$I_{o(source)}$	DAA output source current		-	-	-50	μA
t_{st}	DAA output settling time	$0.2\text{ V} < V_{DAAOUT} < 8.25\text{ V};$ $C_L = 270\text{ pF}$	-	-	30	μs
RR	ripple rejection	$f_{ripple} = 100\text{ Hz}; V_{DAA4} = 1\text{ mV}$	-	50	-	dB
C_L	DAA output load capacitance	$V_{DAAOUT} < 8.0\text{ V};$ FM mode	-	-	270	pF

New In Car Entertainment (NICE) car radio

TEA6840H

SYMBOL	PARAMETER	CONDITIONS	MIN.	TYP.	MAX.	UNIT
DAA TEMPERATURE COMPENSATION: PIN DAATD						
I_{source}	compensation diode source current	$0.2 \text{ V} < V_{\text{DAATD}} < 1.5 \text{ V}$	-50	-40	-30	μA
TC_{source}	temperature coefficient of compensation diode source current	$0.2 \text{ V} < V_{\text{DAATD}} < 1.5 \text{ V};$ $T_{\text{amb}} = -40 \text{ to } +85 \text{ }^\circ\text{C}$	-3×10^{-10}	-	$+3 \times 10^{-10}$	K^{-1}
IF counter (FM IF or AM IF2 counter)						
N_{IF}	IF counter length for AM and FM		-	8	-	bit
$T_{\text{count(IF)}}$	IF counter period	data byte 4: bit 7 = 1	-	2	-	ms
		data byte 4: bit 7 = 0	-	20	-	ms
R_{precount}	FM IF counter prescaler ratio	data byte 4: bit 3 = 1	-	10	-	
		data byte 4: bit 3 = 0	-	100	-	
Reference frequency for car sound processor IC; note 3						
REFERENCE FREQUENCY DIVIDER						
N_{ref}	crystal oscillator divider ratio		-	272	-	
f_{ref}	reference frequency	$f_{\text{xtal}} = 20.5 \text{ MHz}$	-	75.368	-	kHz
VOLTAGE GENERATOR; PIN f_{ref}						
$V_{\text{o(p-p)}}$	AC output voltage (peak-to-peak value)		60	100	170	mV
V_{O}	DC output voltage		3.2	3.4	3.9	V
R_{O}	output resistance		-	-	50	$\text{k}\Omega$
$R_{\text{L(min)}}$	minimum load resistance		1	-	-	$\text{M}\Omega$
AM signal channel						
AM RF AGC STAGE INPUTS: PINS AMMIX1IN1 AND AMMIX1IN2						
$V_{\text{i(p)}}$	RF input voltage for AGC start level (peak value)	data byte 5: bit 5 = 0, bit 6 = 0	-	375	-	mV
		data byte 5: bit 5 = 1, bit 6 = 0	-	500	-	mV
		data byte 5: bit 5 = 0, bit 6 = 1	-	625	-	mV
		data byte 5: bit 5 = 1, bit 6 = 1	-	750	-	mV
AM IF AGC STAGE INPUTS: PINS AMIF2IN AND AMIF2DEC						
$V_{\text{i(p)}}$	IF2 input voltage (peak value)	AGC start level	0.5	0.85	1	V
AM RF AGC CURRENT GENERATOR OUTPUT: PIN IAMAGC						
$I_{\text{sink(max)}}$	maximum AGC sink current	$V_{\text{AMMIX1IN1}} > 500 \text{ mV}$ (peak value)	-	15	-	mA
R_{O}	output resistance	$I_{\text{IAMAGC}} = 1 \mu\text{A}$	1	-	-	$\text{M}\Omega$
C_{O}	output capacitance		-	5	7	pF

New In Car Entertainment (NICE) car radio

TEA6840H

SYMBOL	PARAMETER	CONDITIONS	MIN.	TYP.	MAX.	UNIT
AM RF AGC PEAK DETECTOR: PIN T2AMAGC						
I_{att}	attack current AGC peak detector	data byte 5: bit 5 = 1, bit 6 = 1; AM mixer 1 input $V_i = 1$ V; $V_{T2AMAGC-GND} = 3$ V; $V_{AMIF2IN-AMIF2DEC} = 0$ V	–	–3.15	–	mA
I_{dec}	decay current AGC peak detector	data byte 5: bit 5 = 1, bit 6 = 1; AM mixer 1 input $V_i = 0$ V; $V_{T2AMAGC-AMMIX1IN2} = 0.25$ V; $V_{T2AMAGC-GND} = 3$ V; $V_{AMIF2IN-AMIF2DEC} = 0$ V	–	2.6	–	μ A
AM MIXER 1 (IF1 = 10.7 MHz)						
<i>Mixer inputs: pins AMMIX1IN1 and AMMIX1IN2</i>						
R_i	input resistance	note 4	50	70	100	k Ω
C_i	input capacitance	note 4	–	5	7	pF
V_i	DC input voltage		2.3	2.7	3.1	V
$V_{i(max)}$	maximum voltage on pin AMMIX1IN1	1 dB compression point of AM mixer 1 output (peak-to-peak)	500	–	–	mV
<i>Mixer outputs: pins MIX1OUT1 and MIX1OUT2</i>						
R_o	output resistance	note 5	100	–	–	k Ω
C_o	output capacitance	note 5	–	5	7	pF
$V_{o(max)(p-p)}$	maximum output voltage (peak-to-peak value)		12	15	–	V
I_{bias}	mixer bias current	AM mode	4.8	6	7.2	mA
Mixer						
$g_{m(conv)}$	conversion transconductance $\frac{I_{MIXOUT1}}{V_{FMMIXIN1} - FMMIXIN2}$		2.0	2.55	3.2	$\frac{mA}{V}$
$g_{m(conv)(T)}$	conversion transconductance variation with temperature $\frac{\Delta g_{m(conv)}}{g_{m(conv)} \times \Delta T}$		–	-9×10^{-4}	–	K $^{-1}$
IP3	3rd-order intermodulation	$R_L = 2.8$ k Ω (AC load between output pins)	135	138	–	dB μ V
IP2	2nd-order intermodulation	$R_L = 2.8$ k Ω (AC load between output pins)	–	170	–	dB μ V
$V_{i(n)(eq)}$	equivalent input noise voltage	band limited noise; $R_{gen} = 750$ Ω ; $R_L = 2.8$ k Ω (AC load between output pins)	–	5.8	–	$\frac{nV}{\sqrt{Hz}}$

New In Car Entertainment (NICE) car radio

TEA6840H

SYMBOL	PARAMETER	CONDITIONS	MIN.	TYP.	MAX.	UNIT
F	noise figure of AM mixer 1		–	4.5	7.1	dB
WEATHER BAND FLAG: PIN T1AMAGC						
$I_{L(max)}$	maximum load current		–5	–	+5	μA
$V_{o(max)}$	maximum output voltage for FM mode	measured with respect to pin RFGND	0	–	0.5	V
$V_{o(min)}$	minimum output voltage for WX mode	measured with respect to pin RFGND	5.1	6	6.9	V
AM MIXER 2 (IF2 = 450 kHz)						
<i>Mixer inputs: pins IFAMP1IN and IFAMP1DEC</i>						
R_i	input resistance	note 6	270	330	390	Ω
C_i	input capacitance	note 6	–	5	7	pF
V_I	DC input voltage		2.4	2.7	3	V
$V_{i(max)(p)}$	maximum input voltage (peak value)	1 dB compression point of AM mixer 2 output (peak-to-peak)	1.1	–	–	V
<i>Mixer outputs: pins AMMIX2OUT1 and AMMIX2OUT2</i>						
R_o	output resistance	note 7	100	–	–	k Ω
C_o	output capacitance	note 7	–	5	7	pF
$V_{o(max)(p-p)}$	maximum output voltage (peak-to-peak value)	$V_{DDA} = 8.5\text{ V}$	12	15	–	V
I_{bias}	mixer bias current	AM mode	3.6	4.5	5.4	mA
<i>Mixer</i>						
$g_{m(conv)}$	conversion transconductance $\frac{I_{AMMIX2OUT1}}{V_{IFAMP1IN}}$		1.3	1.6	1.9	$\frac{\text{mA}}{\text{V}}$
$g_{m(conv)(T)}$	conversion transconductance variation with temperature $\frac{\Delta g_{m(conv)}}{g_{m(conv)} \times \Delta T}$		–	-9×10^{-4}	–	K $^{-1}$
IP3	3rd-order intermodulation	$R_L = 4\text{ k}\Omega$ (AC load between output pins)	134	137	–	dB μV
IP2	2nd-order intermodulation	$R_L = 4\text{ k}\Omega$ (AC load between output pins)	–	170	–	dB μV
$V_{i(n)(eq)}$	equivalent input noise voltage	$R_{gen} = 330\ \Omega$; $R_L = 4\text{ k}\Omega$ (AC load between output pins)	–	15	22	$\frac{\text{nV}}{\sqrt{\text{Hz}}}$
F	noise figure of AM mixer 2		–	16	19.5	dB

New In Car Entertainment (NICE) car radio

TEA6840H

SYMBOL	PARAMETER	CONDITIONS	MIN.	TYP.	MAX.	UNIT
AM IF2 AGC STAGE: PINS AMIF2IN AND AMIF2DEC; note 8						
V_i	input voltage	for $\alpha = -10$ dB audio attenuation				
		AM soft mute on	–	75	120	μV
		AM soft mute off	–	6	10	μV
$V_{\text{AGC(start)}}$	AGC start voltage	input carrier voltage	–	14	30	μV
$V_{\text{AGC(stop)}}$	AGC stop voltage	maximum input peak voltage	1	–	–	V
$V_{\text{AGC(ctrl)}}$	AGC control voltage	$V_i = 1$ mV	4.1	4.3	4.7	V
ΔAGC	AGC range	between start and stop of AGC; $m = 0.8$	–	89	–	dB
R_i	input resistance		1.8	2	2.2	$\text{k}\Omega$
C_i	input capacitance		–	–	5	pF
AM DETECTOR						
$V_{\text{sens(rms)}}$	sensitivity voltage (RMS value)	$m = 0.3$; $f_{\text{mod}} = 400$ Hz; $B_{\text{AF}} = 2.5$ kHz; $R_{\text{gen}} = 2$ $\text{k}\Omega$; note 8				
		(S+N)/N = 26 dB	–	45	65	μV
		(S+N)/N = 46 dB	–	600	900	μV
(S+N)/N	maximum signal plus noise-to-noise ratio	$m = 0.3$; $f_{\text{mod}} = 400$ Hz; $B_{\text{AF}} = 2.5$ kHz; $R_{\text{gen}} = 2$ $\text{k}\Omega$	54	60	–	dB
THD	total harmonic distortion	$B_{\text{AF}} = 2.5$ kHz; $C_{\text{AGC}} = 22$ μF ; AM IF2 AGC input $V_i = 100$ μV to 500 mV (RMS)				
		$m = 0.8$; $f_{\text{mod}} = 400$ Hz	–	0.5	1	%
		$m = 0.9$; $f_{\text{mod}} = 400$ Hz	–	1	2	%
		$m = 0.8$; $f_{\text{mod}} = 100$ Hz	–	1.25	2.5	%
		$m = 0.9$; $f_{\text{mod}} = 100$ Hz	–	1.75	3.5	%
RR	ripple rejection	$V_{\text{DDA2(ripple)}} = 100$ mV (RMS); $f_{\text{ripple}} = 100$ Hz	30	40	–	dB
t_{sw}	FM to AM switching time	$C_{\text{AGC}} = 22$ μF	–	1000	1500	ms
t_{settle}	AM AGC settling time	$C_{\text{AGC}} = 22$ μF				
		normal operation	–	–	1800	ms
		test mode	–	–	180	ms
<i>Output: pin AMAFIF2</i>						
$V_{\text{o(rms)}}$	AM IF2 output voltage (RMS value)	AM stereo; $m = 0$				
		minimum at $V_i = 14$ μV	1.5	3	4.5	mV
		maximum at $V_i = 5.0$ mV	130	180	230	mV
		AM mono; $m = 0.3$; $f_{\text{mod}} = 400$ Hz; $V_i = 100$ μV to 500 mV (RMS)	240	290	340	mV
R_o	output resistance	AM stereo	–	–	500	Ω
		AM mono	–	–	500	Ω

New In Car Entertainment (NICE) car radio

TEA6840H

SYMBOL	PARAMETER	CONDITIONS	MIN.	TYP.	MAX.	UNIT
C_o	output capacitance	AM mono	–	5	7	pF
AM IF2 LEVEL DETECTOR OUTPUT: PIN V_{level} ; see Fig.3						
V_{level}	DC output voltage	$V_i = 10 \mu\text{V}$ to 1 V	0	–	7	V
		$V_i < 1 \mu\text{V}$; standard setting of level DAA and level slope	0.1	0.5	0.9	V
		$V_i = 1.4 \text{ mV}$; standard setting of level DAA	1.6	2.2	2.8	V
ΔV_{level}	step size for adjustment of level starting point	standard setting of level slope	30	40	50	mV
$V_{level(slope)}$	slope of level voltage	standard setting of level slope	650	800	950	$\frac{\text{mV}}{20 \text{ dB}}$
ΔV_{step}	step size for adjustment of level slope	$V_i = 1.4 \text{ mV}$	45	60	75	$\frac{\text{mV}}{20 \text{ dB}}$
B_{level}	bandwidth of level output voltage		200	300	–	mV
R_o	output resistance		–	–	500	Ω
RR	ripple rejection	$V_{DDA1(ripple)} = 100 \text{ mV (RMS)}$; $f_{ripple} = 100 \text{ Hz}$	–	40	–	dB
AM NOISE BLANKER; see Fig.4						
<i>Threshold: pin AMNBHOLD</i>						
V_O	DC output voltage		4.3	4.6	5.1	V
t_{sup}	suppression time		6	7.5	10	μs
$f_{trigger}$	trigger sensitivity frequency	$V_P = 200 \text{ mV (peak)}$; $V_{level} < 1.8 \text{ V}$	–	1000	–	Hz
		$V_P = 200 \text{ mV (peak)}$; $V_{level} > 2.2 \text{ V}$	–	–	100	Hz
		$V_P = 20 \text{ mV (peak)}$	–	–	100	Hz
<i>Noise detector output: pin TRDSMUTE</i>						
$I_{sink(AGC)}$	AM noise blanker AGC sink current	$V_{TRDSMUTE} = 3 \text{ V}$	35	50	65	μA
V_{AGC}	AM noise blanker AGC voltage	AM mixer 1 input $V_i = 0 \text{ V}$	1.9	2.2	2.5	V
FM signal channel						
FM RF AGC						
<i>Inputs: pins FMMIXIN1 and FMMIXIN2; note 9</i>						
$V_{i(RF)(rms)}$	RF input voltage for start of wide-band AGC (RMS value)	data byte 5: bit 5 = 0, bit 6 = 0	–	4	–	mV
		data byte 5: bit 5 = 1, bit 6 = 0	–	8	–	mV
		data byte 5: bit 5 = 0, bit 6 = 1	–	12	–	mV
		data byte 5: bit 5 = 1, bit 6 = 1	–	16	–	mV

New In Car Entertainment (NICE) car radio

TEA6840H

SYMBOL	PARAMETER	CONDITIONS	MIN.	TYP.	MAX.	UNIT
<i>AGC peak detector output: pin T1FMAGC</i>						
I_{ch}	charge current		-350	-600	-850	μA
I_{dis}	discharge current		15	25	35	μA
<i>PIN diode drive output: pin IFMAGC</i>						
I_{drive}	drive current	$V_o = 0.5$ to 4.0 V	8	11.5	15	mA
<i>Level voltage output: pin V_{level}</i>						
V_{th}	threshold voltage for narrow-band AGC	data byte 5 bit 7 = 1; standard setting of level DAA	500	950	1400	mV
FM RF MIXER						
<i>Reference voltage: pin $V_{ref(FMMIX)}$</i>						
V_{ref}	reference voltage	FM mode	6.5	7.1	7.9	V
		AM mode	2.7	3.1	3.4	V
<i>Inputs: pins FMMIXIN1 and FMMIXIN2; note 9</i>						
$V_{i(RF)(max)}$	maximum RF input voltage	1 dB compression point of FM mixer output voltage (peak-to-peak value)	70	100	-	mV
$V_{i(n)(eq)}$	equivalent input noise voltage	$R_{gen} = 600 \Omega$; $R_L = 2.8 \text{ k}\Omega$; noise of R_{gen} not included	-	2.6	3.1	$\frac{\text{nV}}{\sqrt{\text{Hz}}}$
R_i	input resistance		-	1.4	-	$\text{k}\Omega$
C_i	input capacitance		-	5	7	pF
<i>Outputs: pins MIX1OUT1 and MIX1OUT2; note 5</i>						
R_o	output resistance		100	-	-	$\text{k}\Omega$
C_o	output capacitance		-	5	7	pF
I_{bias}	mixer bias current	FM mode	4.8	6	7.2	mA
$V_{o(max)(p-p)}$	maximum output voltage (peak-to-peak value)		3	-	-	V
FM mixer						
$g_{m(conv)}$	conversion transconductance		8.5	12.5	18	$\frac{\text{mA}}{\text{V}}$
$g_{m(conv)(T)}$	conversion transconductance variation with temperature		-	-1×10^{-3}	-	K^{-1}
F	noise figure		-	3	4.6	dB
IP3	3rd-order intermodulation		116	119	-	$\text{dB}\mu\text{V}$
IRR	image rejection ratio		25	30	-	dB
IF AMPLIFIER 1						
G	gain	$R_L = 330 \Omega$; $V_i = 1$ mV; note 10	8.5	10.5	12.5	dB
F	noise figure		-	9.5	13	dB
IP3	3rd-order intermodulation		120	123	-	$\text{dB}\mu\text{V}$

New In Car Entertainment (NICE) car radio

TEA6840H

SYMBOL	PARAMETER	CONDITIONS	MIN.	TYP.	MAX.	UNIT
<i>Inputs: pins IFAMP1IN and IFAMP1DEC; note 10</i>						
$V_{i(max)(p)}$	maximum input voltage (peak value)	1 dB compression point of IF amplifier 1 output voltage (peak value)	300	–	–	mV
$V_{i(n)(eq)}$	equivalent input noise voltage	$R_{gen} = 330 \Omega$; $R_L = 330 \Omega$; noise of R_{gen} not included	–	7	10	$\frac{nV}{\sqrt{Hz}}$
R_i	input resistance		270	330	390	Ω
C_i	input capacitance		–	5	7	pF
<i>Output: pin IFAMP1OUT</i>						
R_o	output resistance		270	330	390	Ω
C_o	output capacitance		–	5	7	pF
$V_{o(max)(p)}$	maximum output voltage (peak value)		1.2	1.5	–	V
IF AMPLIFIER 2						
G	gain	$R_L = 330 \Omega$; $V_i = 1$ mV; note 11	3	4.5	6	dB
F	noise figure		–	12	15	dB
IP3	3rd-order intermodulation		129	132	–	dB μ V
<i>Inputs: pins IFAMP2IN and IFAMP2DEC; note 11</i>						
$V_{i(max)(p)}$	maximum input voltage (peak value)	1 dB compression point of IF amplifier 2 output voltage (peak value)	600	–	–	mV
$V_{i(n)(eq)}$	equivalent input noise voltage	$R_{gen} = 330 \Omega$; $R_L = 330 \Omega$; noise of R_{gen} not included	–	9	12	$\frac{nV}{\sqrt{Hz}}$
R_i	input resistance		270	330	390	Ω
C_i	input capacitance		–	5	7	pF
<i>Output: pin IFAMP2OUT</i>						
R_o	output resistance		270	330	390	Ω
C_o	output capacitance		–	5	7	pF
$V_{o(max)(p)}$	maximum output voltage (peak value)		1.2	1.5	–	V
FM demodulator and level detector; see Figs 5 and 6						
FM LIMITER						
<i>Inputs: pins FMLIMIN and FMLIMDEC; note 12</i>						
G	gain	$R_{gen} = 50 \Omega$	74	80	–	dB
R_i	input resistance		270	330	390	Ω
C_i	input capacitance		–	5	7	pF
<i>Outputs: pins QDET1 and QDET2</i>						
$V_{o(p-p)}$	output voltage (peak-to-peak value)	measured between output pins	500	700	–	mV

New In Car Entertainment (NICE) car radio

TEA6840H

SYMBOL	PARAMETER	CONDITIONS	MIN.	TYP.	MAX.	UNIT
FM DEMODULATOR						
<i>Limiter decoupling: pin FMLIMDEC</i>						
R_L	load resistance		20	–	–	k Ω
C_L	load capacitance		–	–	50	pF
<i>RDS MPX inputs: pins FMLIMIN and FMLIMDEC; note 12</i>						
$V_{\text{start(lim)(rms)}}$	start of limiting of RDS MPX output voltage (RMS value)	$\alpha_{AF} = -3$ dB	–	10	15	μ V
<i>RDS MPX output: pin QRDSMPX</i>						
$V_{o(\text{rms})}$	RDS MPX output voltage (RMS value)	$\Delta f = 22.5$ kHz; $f_{\text{mod}} = 57$ kHz; $V_i = 20$ μ V to 1 V; note 12	180	230	280	mV
$I_{o(\text{max})}$	maximum RDS MPX output current		–	–	100	μ A
R_o	output resistance		–	–	500	Ω
B	bandwidth RDS MPX output	$C_L = 0$; $R_L > 20$ k Ω	200	300	–	kHz
PSRR	power supply ripple rejection	$f_{\text{ripple}} = 100$ Hz to 20 kHz	–	40	–	dB
<i>FM RDS inputs: pins FMLIMIN and FMLIMDEC; note 12</i>						
$V_{\text{start(lim)(rms)}}$	start of limiting of MPX output voltage (RMS value)	$\alpha_{AF} = -3$ dB	–	10	15	μ V
$V_{o(\text{sens})(\text{rms})}$	sensitivity for MPX output voltage (RMS value)	$\Delta f = 22.5$ kHz; $f_{\text{mod}} = 1$ kHz; de-emphasis = 75 μ s (S+N)/N = 26 dB (S+N)/N = 46 dB	– –	10 50	15 75	μ V μ V
<i>FM MPX output: pin FMMPX; note 12</i>						
$V_{o(\text{rms})}$	MPX output voltage (RMS value)	$\Delta f = 22.5$ kHz; $f_{\text{mod}} = 1$ kHz; de-emphasis = 75 μ s; $V_i = 20$ μ V to 1 V	180	230	280	mV
α_{AM}	AM suppression of MPX output	$\Delta f = 22.5$ kHz; $f_{\text{mod}} = 1$ kHz; $m = 0.3$; de-emphasis = 75 μ s $V_i = 500$ μ V to 300 mV $V_i = 20$ to 500 μ V $V_i = 300$ mV to 1 V	50 – –	60 40 40	– – –	dB dB dB
$I_{o(\text{max})}$	maximum MPX output current		–	–	100	μ A
(S+N)/N	maximum signal plus noise-to-noise ratio of MPX output voltage	$\Delta f = 22.5$ kHz; $f_{\text{mod}} = 1$ kHz; de-emphasis = 75 μ s; $V_i = 10$ mV	67	70	–	dB
THD	total harmonic distortion of MPX output voltage	$\Delta f = 75$ kHz; $f_{\text{mod}} = 1$ kHz; de-emphasis = 75 μ s; $V_i = 200$ μ V to 800 mV	–	0.35	0.7	%

New In Car Entertainment (NICE) car radio

TEA6840H

SYMBOL	PARAMETER	CONDITIONS	MIN.	TYP.	MAX.	UNIT
B	bandwidth MPX output	$C_L = 0$; $R_L > 20 \text{ k}\Omega$	200	–	–	kHz
PSRR	power supply ripple rejection	$f_{\text{ripple}} = 100 \text{ Hz to } 20 \text{ kHz}$	–	40	–	dB
$R_{L(\text{min})}$	minimum load resistance		20	–	–	$\text{k}\Omega$
$R_{o(\text{max})}$	maximum output resistance		–	–	500	Ω
$C_{L(\text{max})}$	maximum load capacitance		–	–	50	pF
MPX MUTE						
α_{mute}	muting depth	during RDS update	60	80	–	dB
t_{att}	attack time MPX mute	$C_{\text{TRDSMUTE}} = 10 \text{ nF}$	0.75	1	1.25	ms
t_{decay}	decay time MPX mute	$C_{\text{TRDSMUTE}} = 10 \text{ nF}$	0.75	1	1.25	ms
<i>RDS update: pin TRDSMUTE</i>						
I_{dis}	discharge current	$V_o = 3 \text{ V}$; audio output muted	24	32	38	μA
I_{ch}	charge current	$V_o = 3 \text{ V}$; audio output not muted	–24	–32	–38	μA
DEMODULATOR AFC						
G_{AFC}	AFC gain	$\Delta f = 100 \text{ kHz}$	28	32	–	dB
<i>RDS MPX output: pin RDSMPX; note 12</i>						
$V_{\text{offset(DC)}}$	residual DC offset voltage	$L_{\text{demod}} = \text{typical value}$	–	0.1	1	V
		$V_i = 10 \text{ to } 80 \mu\text{V}$	–	10	30	mV
		$V_i = 80 \mu\text{V to } 800 \text{ mV}$	–	–	–	–
		$L_{\text{demod}} = \pm 6\%$	–	0.240	1	V
		$V_i = 10 \text{ to } 80 \mu\text{V}$	–	25	500	mV
		$V_i = 80 \mu\text{V to } 800 \text{ mV}$	–	–	–	–
FM IF LEVEL DETECTOR OUTPUT: PIN V_{level}; note 12						
V_{level}	DC output voltage	$V_i = 10 \mu\text{V to } 1 \text{ V}$	0	–	7	V
		$V_i < 1 \mu\text{V}$; standard setting of level DAA	0.1	0.35	0.9	V
		$V_i = 1 \text{ mV}$; standard setting of level DAA	1	1.5	2.1	V
ΔV_{level}	level starting point for adjustment of step size	standard setting of level slope	30	40	50	mV
$V_{\text{level(slope)}}$	slope of level voltage	standard setting of level slope	650	800	950	$\frac{\text{mV}}{20 \text{ dB}}$
ΔV_{step}	level slope adjustment of step size	$V_i = 1 \text{ mV}$	45	50	75	$\frac{\text{mV}}{20 \text{ dB}}$
B_{level}	bandwidth of level output voltage	$V_i = 10 \text{ mV}$; $f_{\text{mod}} = 22.5 \text{ kHz}$; standard setting of DAA	200	300	–	mV
R_o	output resistance		–	–	500	Ω

New In Car Entertainment (NICE) car radio

TEA6840H

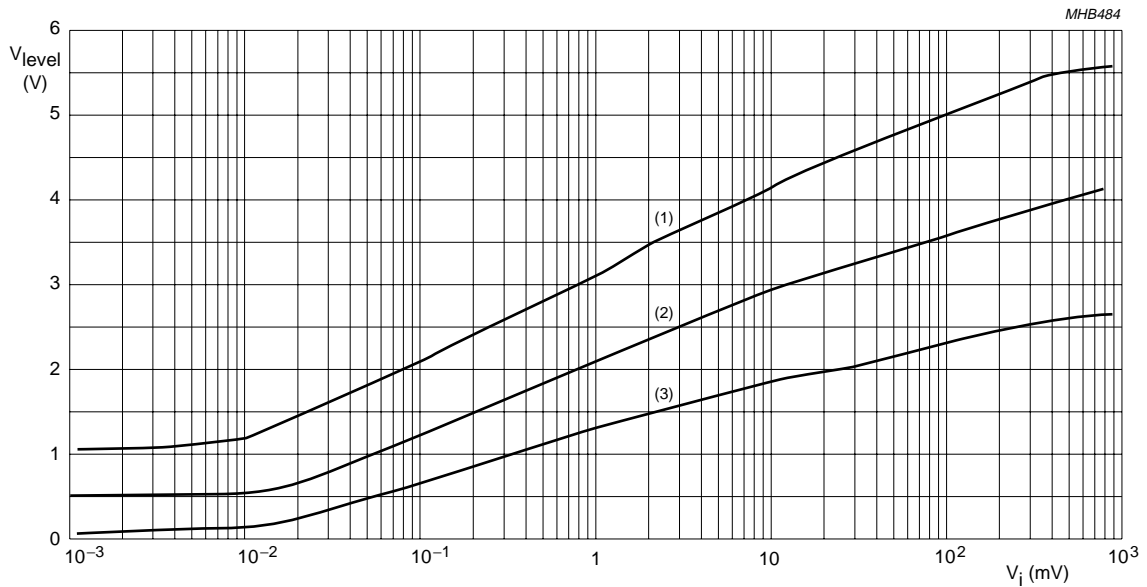
SYMBOL	PARAMETER	CONDITIONS	MIN.	TYP.	MAX.	UNIT
RR	ripple rejection	$V_{DDA1(\text{ripple})} = 100 \text{ mV (RMS)}$; $f_{\text{ripple}} = 100 \text{ Hz}$	–	40	–	dB
RDS update						
<i>Output: pin AFHOLD</i>						
$I_{\text{sink(max)}}$	maximum sink current	after first bus transmission with AF = 1 (start of RDS update); $V_o = 0.5 \text{ V}$	1.0	1.2	1.4	mA
<i>Output: pin AFSAMPLE</i>						
$I_{\text{sink(max)}}$	maximum sink current	no RDS update in progress; $V_o = 0.5 \text{ V}$	1.0	1.2	1.4	mA
Test mode; note 3						
<i>Temperature compensation diode: pin DAATD</i>						
$V_{i(\text{ext})}$	external input voltage to clock state-machine	$V_{DAATD(L)} = 2.5 \text{ V}$; $V_{DAATD(H)} = 3.5 \text{ V}$	2.5	–	3.5	V
<i>Clock input: pin SCL</i>						
$V_{i(\text{ext})}$	external input voltage to clock DAA	$V_{SCL(L)} = 0 \text{ V}$; $V_{SCL(H)} = 5 \text{ V}$	0	–	5	V
<i>Time constant output: pin T1AMAGC</i>						
V_{pulse}	enabling voltage of load PLL signal	pin f_{ref} in test mode	5.1	6	6.9	V

Notes

- Measured between pins XTAL1 and XTAL2.
- DAA conversion gain formula: $V_{DAAOUT} = \left[2 \times \left(0.75 \times \frac{n}{128} + 0.25 \right) \times (V_{DAAIN} + V_{DAATD}) \right] - V_{DAATD}$
where $n = 0$ to 127.
- Reference frequency pin f_{ref} :
 - $R_{\text{ext}} = 68 \text{ k}\Omega$ connected to ground activates the 2nd I²C-bus address
 - $R_{\text{ext}} = 100 \text{ k}\Omega$ connected to V_{DDA1} sets the IC into test mode.
- Input parameters of AM mixer 1 measured between pins AMMIX1IN1 and AMMIX1IN2.
- Output parameters of FM and AM mixer 1 measured between pins MIX1OUT1 and MIX1OUT2.
- Input parameters of AM mixer 2 measured between pins IFAMP1IN and IFAMP1DEC.
- Output parameters of AM mixer 2 measured between pins AMMIX2OUT1 and AMMIX2OUT2.
- Input parameters of AM IF2 measured between pins AMIF2IN and AMIF2DEC.
- Input parameters of FM mixer measured between pins FMMIXIN1 and FMMIXIN2.
- Input parameters of IF amplifier 1 measured between pins IFAMP1IN and IFAMP1DEC.
- Input parameters of IF amplifier 2 measured between pins IFAMP2IN and IFAMP2DEC.
- Input parameters of FM limiter measured between pins FMLIMIN and FMLIMDEC.

New In Car Entertainment (NICE) car radio

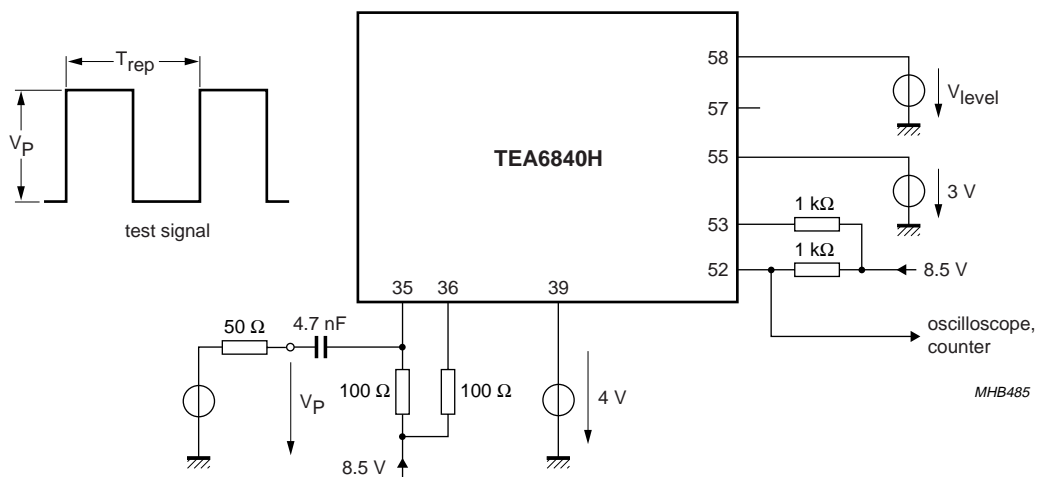
TEA6840H



- (1) Level DAA setting byte 6 = FFH.
- (2) Level DAA setting byte 6 = 84H (standard setting).
- (3) Level DAA setting byte 6 = 00H.

$$V_i = V_{AMIF2IN} - V_{AMIF2DEC}$$

Fig.3 AM level output voltage (DAA) as a function of AM level circuit input voltage.

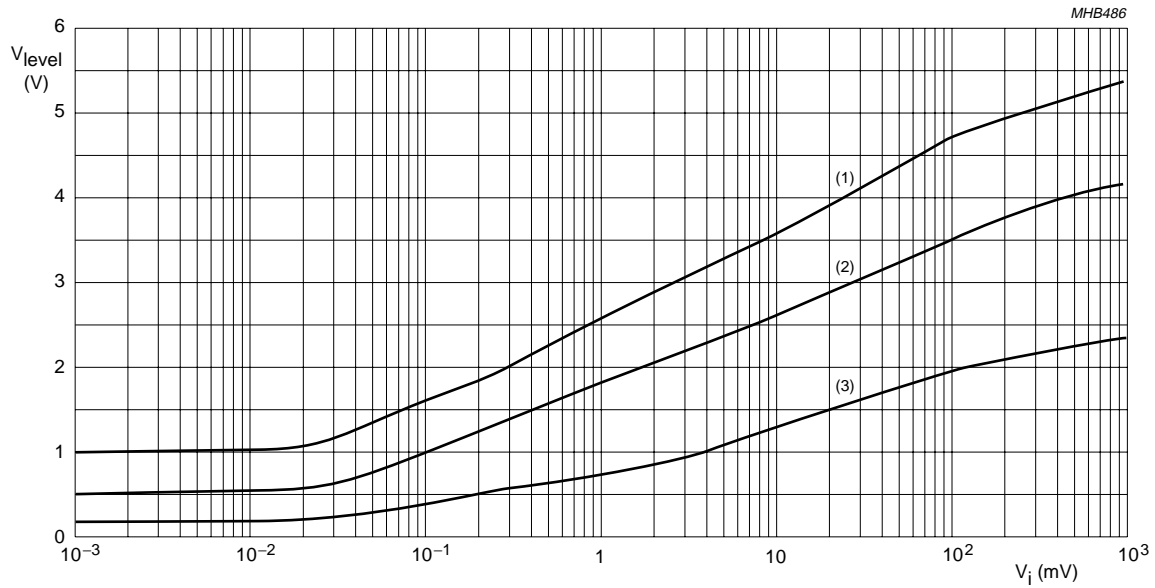


Test signal: $T_{rep} = 2 \text{ ms}$, $t_r < 50 \text{ ns}$, $t_f < 50 \text{ ns}$, and duty factor 50%.

Fig.4 Test circuit for AM noise blanker.

New In Car Entertainment (NICE) car radio

TEA6840H



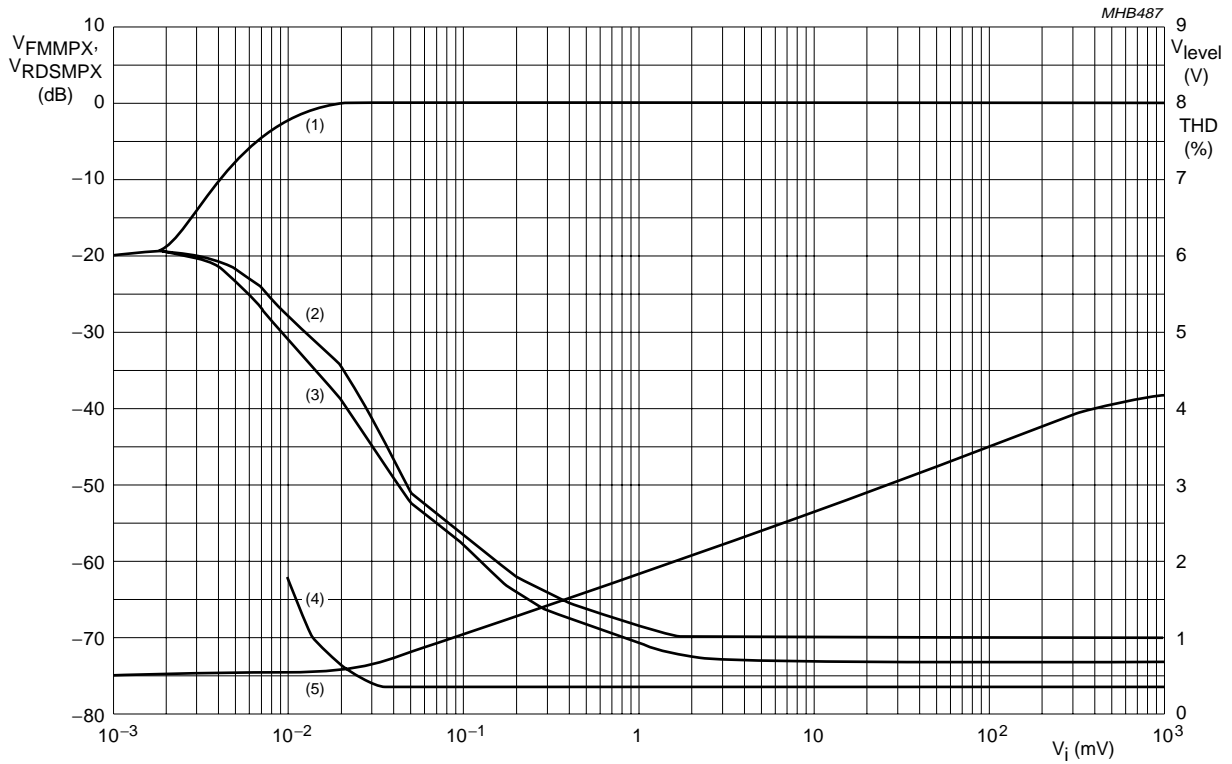
- (1) Level DAA setting byte 6 = FFH.
- (2) Level DAA setting byte 6 = 84H (standard setting).
- (3) Level DAA setting byte 6 = 00H.

$$V_i = V_{FMLIMIN} - V_{FMLIMDEC}$$

Fig.5 FM level output voltage (DAA) as a function of FM limiter and level circuit input voltage.

New In Car Entertainment (NICE) car radio

TEA6840H



- (1) Output voltage for FMMPX and RDSMPX: $f_{IF} = 10.7$ MHz; $\Delta f = 22.5$ kHz; $f_{mod} = 1$ kHz.
- (2) Noise: unweighted B = 250 Hz to 15 kHz with de-emphasis 50 μ s for FMMPX.
- (3) Noise: unweighted B = 250 Hz to 15 kHz with de-emphasis 50 μ s for RDSMPX.
- (4) THD for FMMPX and RDSMPX.
- (5) Level for standard setting of level DAA, byte 6 = 84H.

$$V_i = V_{FMLIMIN} - V_{FMLIMDEC}$$

Fig.6 (S+N)/N, THD and level output voltage for FM mode as a function of FM demodulator input voltage.

New In Car Entertainment (NICE) car radio

TEA6840H

12 I²C-BUS PROTOCOL

12.1 I²C-bus specification

The standard I²C-bus specification is expanded by the following definitions.

IC addresses:

- 1st IC address C2: 1100001
- 2nd IC address C0: 1100000.

Structure of the I²C-bus logic: slave transceiver with auto increment.

Subaddresses are not used.

12.1.1 TEST MODE

Connecting pin f_{ref} to V_{DDA1} via a 100 k Ω resistor or feeding 50 μ A into that pin switches the IC into the test mode.

During test mode the digital-to-analog converters of the level and antenna DAA functions can be sequenced by the I²C-bus SCL line.

During test mode either the TEA6880H or TEF6890H reference frequency, the PLL reference frequency divider or the programmable divider output can be switched to pin f_{ref} .

12.1.2 DATA TRANSFER FOR THE TEA6840H

Data sequence: address, byte 1, byte 2, byte 3, byte 4, byte 5, and byte 6.

The data transfer has to be in this order. The LSB = 0 indicates a WRITE operation to the TEA6840H.

Bit 7 of each byte is considered the MSB and has to be transferred as the first bit of the byte.

The data becomes valid at the output of the internal latches with the acknowledge of each byte. A STOP condition after any byte can shorten transmission times.

When writing to the transceiver by using the STOP condition before completion of the whole transfer:

- The remaining bytes will contain the old information
- If the transfer of a byte is not completed, this byte is lost and the previous information is available.

In byte 5, 4 bits are reserved for test mode purposes. Those can only be used when the test mode is activated by the select pin f_{ref} .

12.1.3 I²C-bus PULL-UP RESISTORS

When the IC is used together with the TEA6880H or TEF6890H and both SCL and SDA lines are connected via the I²C-bus to the CASP, the pull-up resistors of the tuner IC should be connected to the digital supply voltage of the TEA6880H or TEF6890H. Otherwise a I²C-bus pull-down can occur switching off the tuner IC supply when the I²C-bus buffer interface of the TEA6880H or TEF6890H is enabled for data transfer to the tuner IC.

12.1.4 FREQUENCY SETTING

For new frequency setting, in both AM and FM mode, the programmable divider is enabled by setting bit MUTE = 1. To select an FM frequency, two I²C-bus transmissions are necessary:

- First: bit MUTE = 1
- Second: bit MUTE = 0.

New In Car Entertainment (NICE) car radio

TEA6840H

12.2 I²C-bus protocol

12.2.1 DATA TRANSFER MODE AND IC ADDRESS

Table 1 Write mode

S ⁽¹⁾	address (write)	A ⁽²⁾	data byte(s)	A ⁽²⁾	P ⁽³⁾
------------------	-----------------	------------------	--------------	------------------	------------------

Table 2 Read mode

S ⁽¹⁾	address (read)	A ⁽²⁾	data byte 1
------------------	----------------	------------------	-------------

Notes

1. S = START condition.
2. A = acknowledge.
3. P = STOP condition.

Table 3 IC address byte

IC ADDRESS							MODE
1	1	0	0	0	0	0/1 ⁽¹⁾	R/W ⁽²⁾

Notes

1. Defined by address pin f_{ref} :
 - a) 1 = 1st IC address
 - b) 0 = 2nd IC address.
2. Read or write mode:
 - a) 0 = write operation to TEA6840H
 - b) 1 = read operation from TEA6840H.

12.2.2 WRITE MODE: DATA BYTE 1

Table 4 Format of data byte 1

BIT 7	BIT 6	BIT 5	BIT 4	BIT 3	BIT 2	BIT 1	BIT 0
AF	PCA6	PCA5	PCA4	PCA3	PCA2	PCA1	PCA0

Table 5 Description of data byte 1 bits

BIT	SYMBOL	DESCRIPTION
7	AF	Alternative frequency. If AF = 0, then normal operation. If AF = 1, then AF (RDS) update mode.
6 to 0	PCA[6:0]	Setting of programmable counter of synthesizer PLL. Upper byte of PLL divider word.

New In Car Entertainment (NICE) car radio

TEA6840H

12.2.3 WRITE MODE: DATA BYTE 2

Table 6 Format of data byte 2

BIT 7	BIT 6	BIT 5	BIT 4	BIT 3	BIT 2	BIT 1	BIT 0
PCB7	PCB6	PCB5	PCB4	PCB3	PCB2	PCB1	PCB0

Table 7 Description of data byte 2 bits

BIT	SYMBOL	DESCRIPTION
7 to 0	PCB[7:0]	Setting of programmable counter of synthesizer PLL. Lower byte of PLL divider word.

12.2.4 WRITE MODE: DATA BYTE 3

Table 8 Format of data byte 3

BIT 7	BIT 6	BIT 5	BIT 4	BIT 3	BIT 2	BIT 1	BIT 0
MUTE	DAA6	DAA5	DAA4	DAA3	DAA2	DAA1	DAA0

Table 9 Description of data byte 3 bits

BIT	SYMBOL	DESCRIPTION
7	MUTE	FM audio mute. If MUTE = 0, then FM audio not muted. If MUTE = 1, then FM audio muted; writing to programmable divider enabled.
6 to 0	DAA[6:0]	Setting of antenna digital auto alignment.

12.2.5 WRITE MODE: DATA BYTE 4

Table 10 Format of data byte 4

BIT 7	BIT 6	BIT 5	BIT 4	BIT 3	BIT 2	BIT 1	BIT 0
IFMT	RFS2	RFS1	RFS0	IFPR	BND1	BND0	AMFM

Table 11 Description of data byte 4 bits

BIT	SYMBOL	DESCRIPTION
7	IFMT	IF measuring time. If IFMT = 0, then IF measuring time is 20 ms. If IFMT = 1, then IF measuring time is 2 ms.
6 to 4	RFS[2:0]	Reference frequency for synthesizer. These 3 bits determine the reference frequency, see Table 12.
3	IFPR	IF counter prescaler ratio. If IFPR = 0, then IF prescaler ratio is 100. If IFPR = 1, then IF prescaler ratio is 10.
2 and 1	BND[1:0]	Band switch. These 2 bits select in FM mode band and local or distant, see Table 13; in AM mode band and AM stereo, see Table 14.
0	AMFM	AM or FM switch. If AMFM = 0, then FM mode. If AMFM = 1, then AM mode

New In Car Entertainment (NICE) car radio

TEA6840H

Table 12 Reference frequency setting

RFS2	RFS1	RFS0	f _{ref} (kHz)
0	0	0	100
1	0	0	50
0	1	0	25
1	1	0	20
0	0	1	10
1	0	1	10
0	1	1	10
1	1	1	10

Table 13 FM mode

BND1	BND0	SELECTION
0	0	FM standard: dead zone high current charge pump active, FM AGC defined by RF level and threshold level setting by I ² C-bus
0	1	FM local: dead zone high current charge pump active, FM AGC source current set to maximum
1	0	FM East Europe: dead zone high current charge pump switched off, current of low current charge pump set to 1 mA
1	1	FM weather band: N1 divider set to 1 and I and Q phase shift network switched on, WX flag signal activated

Table 14 AM mode; note 1

BND1	BND0	SELECTION
0	0	AM mono; N2 divider set to 5 (SW)
0	1	AM stereo; N2 divider set to 5 (SW)
1	0	AM mono; N2 divider set to 10 (LW, MW)
1	1	AM stereo; N2 divider set to 10 (LW, MW)

Note

1. In AM mode dead zone high current charge pump switched off, current of low current charge pump set to 1 mA.

New In Car Entertainment (NICE) car radio

TEA6840H

12.2.6 WRITE MODE: DATA BYTE 5

Table 15 Format of data byte 5

BIT 7	BIT 6	BIT 5	BIT 4	BIT 3	BIT 2	BIT 1	BIT 0
KAGC	WBA1	WBA0	AMSM	TMS3	TMS2	TMS1	TMS0

Table 16 Description of data byte 5 bits

BIT	SYMBOL	DESCRIPTION
7	KAGC	Keyed FM AGC. If KAGC = 0, then keyed FM AGC is off. If KAGC = 1, then keyed FM AGC is on.
6 and 5	WBA[1:0]	Wide band AGC. These 2 bits set the start value of wide band AGC. For AM, see Table 17 and for FM, see Table 18.
4	AMSM	AM soft mute. If AMSM = 0, then AM soft mute is off. If AMSM = 1, then AM soft mute is on.
3	TMS3	In test mode charge pump 3-state. If TMS3 = 0, then 3-state off. If TMS3 = 1, then 3-state on.
2	TMS2	In test mode external clock for level and antenna DAA. If TMS2 = 0, then external clock disabled. If TMS2 = 1, then external clock enabled.
1 and 0	TMS[1:0]	In test mode setting of pin f_{ref}. These 2 bits define the function of pin f_{ref} , see Table 19.

Table 17 Setting of wide band AGC for AM

WBA1	WBA0	AM MIXER 1 INPUT VOLTAGE (PEAK VALUE) (mV)
0	0	375
0	1	500
1	0	625
1	1	750

Table 18 Setting of wide band AGC for FM

WBA1	WBA0	FM RF MIXER INPUT VOLTAGE (RMS VALUE) (mV)
1	1	4
1	0	8
0	1	12
0	0	16

Table 19 Setting function of pin f_{ref} in test mode

TMS1	TMS0	OUTPUT AT PIN f_{ref}
0	0	reference frequency of TEA6880H or TEF6890H
0	1	tuner oscillator frequency divided by division ratio of programmable divider
1	0	PLL synthesizer reference frequency
1	1	not used (no output)

New In Car Entertainment (NICE) car radio

TEA6840H

12.2.7 WRITE MODE: DATA BYTE 6

Table 20 Format of data byte 6

BIT 7	BIT 6	BIT 5	BIT 4	BIT 3	BIT 2	BIT 1	BIT 0
LST4	LST3	LST2	LST1	LST0	LSL2	LSL1	LSL0

Table 21 Description of data byte 6 bits

BIT	SYMBOL	DESCRIPTION
7 to 3	LST[4:0]	Setting of level DAA starting point. These 5 bits determine the offset of the level detector output voltage.
2 to 0	LSL[2:0]	Setting of level DAA slope. These 3 bits determine the steepness of the level detector output voltage.

Table 22 Standard setting of data byte 6 bits

SETTING OF LEVEL DAA STARTING POINT					SETTING OF LEVEL DAA SLOPE		
LST4	LST3	LST2	LST1	LST0	LSL2	LSL1	LSL0
1	0	0	0	0	1	0	0

12.2.8 READ MODE: DATA BYTE 1

Table 23 Format of 1st data byte

BIT 7	BIT 6	BIT 5	BIT 4	BIT 3	BIT 2	BIT 1	BIT 0
IFC7	IFC6	IFC5	IFC4	IFC3	IFC2	IFC1	IFC0

Table 24 Description of data byte 1 bits

BIT	SYMBOL	DESCRIPTION
7 to 0	IFC[7:0]	IF counter result. These bits contain the last eight bits of the IF counter result.

New In Car Entertainment (NICE) car radio

TEA6840H

13 TEST AND APPLICATION INFORMATION

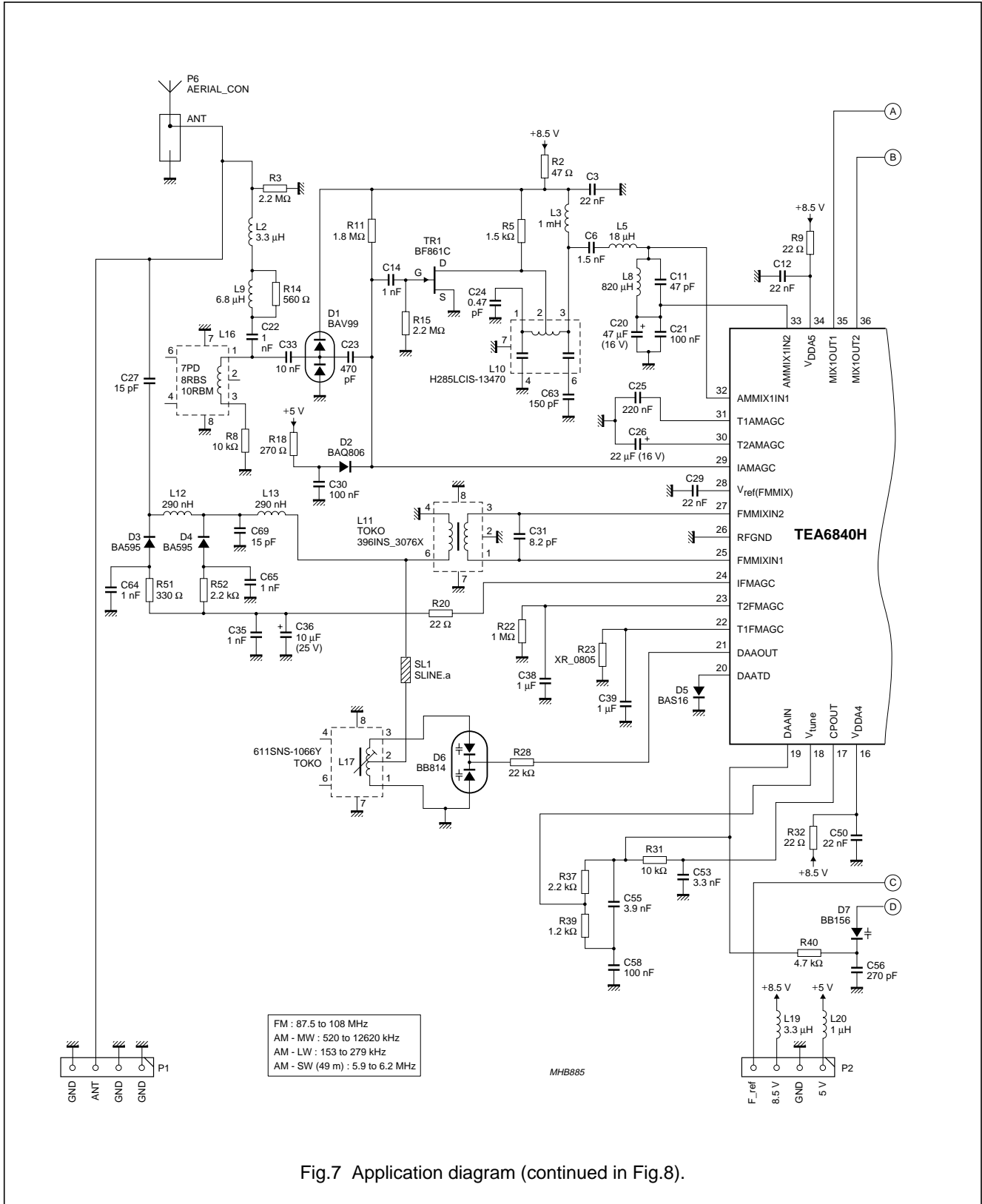


Fig.7 Application diagram (continued in Fig.8).

New In Car Entertainment (NICE) car radio

TEA6840H

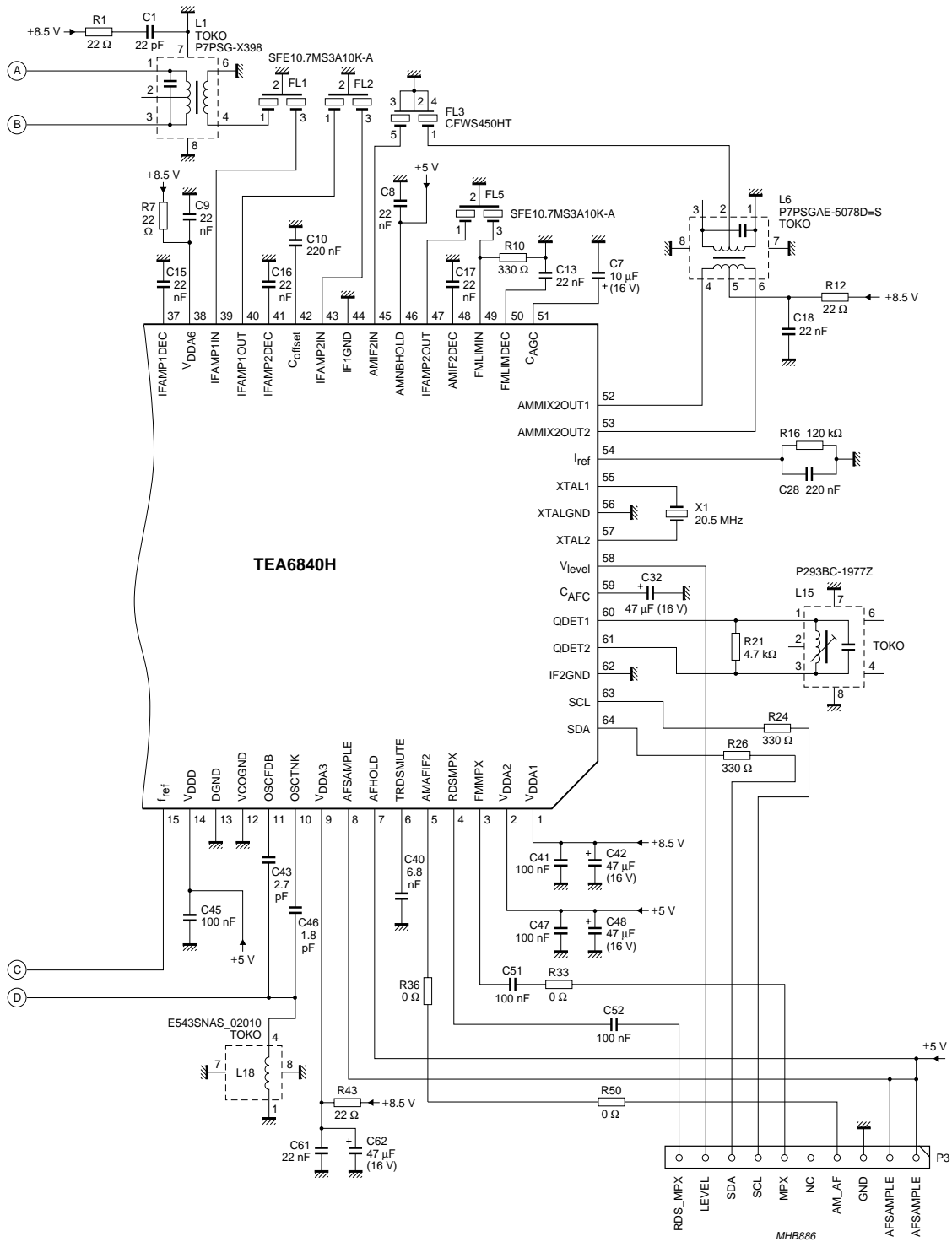


Fig.8 Application diagram (continued from Fig.7).

New In Car Entertainment (NICE) car radio

TEA6840H

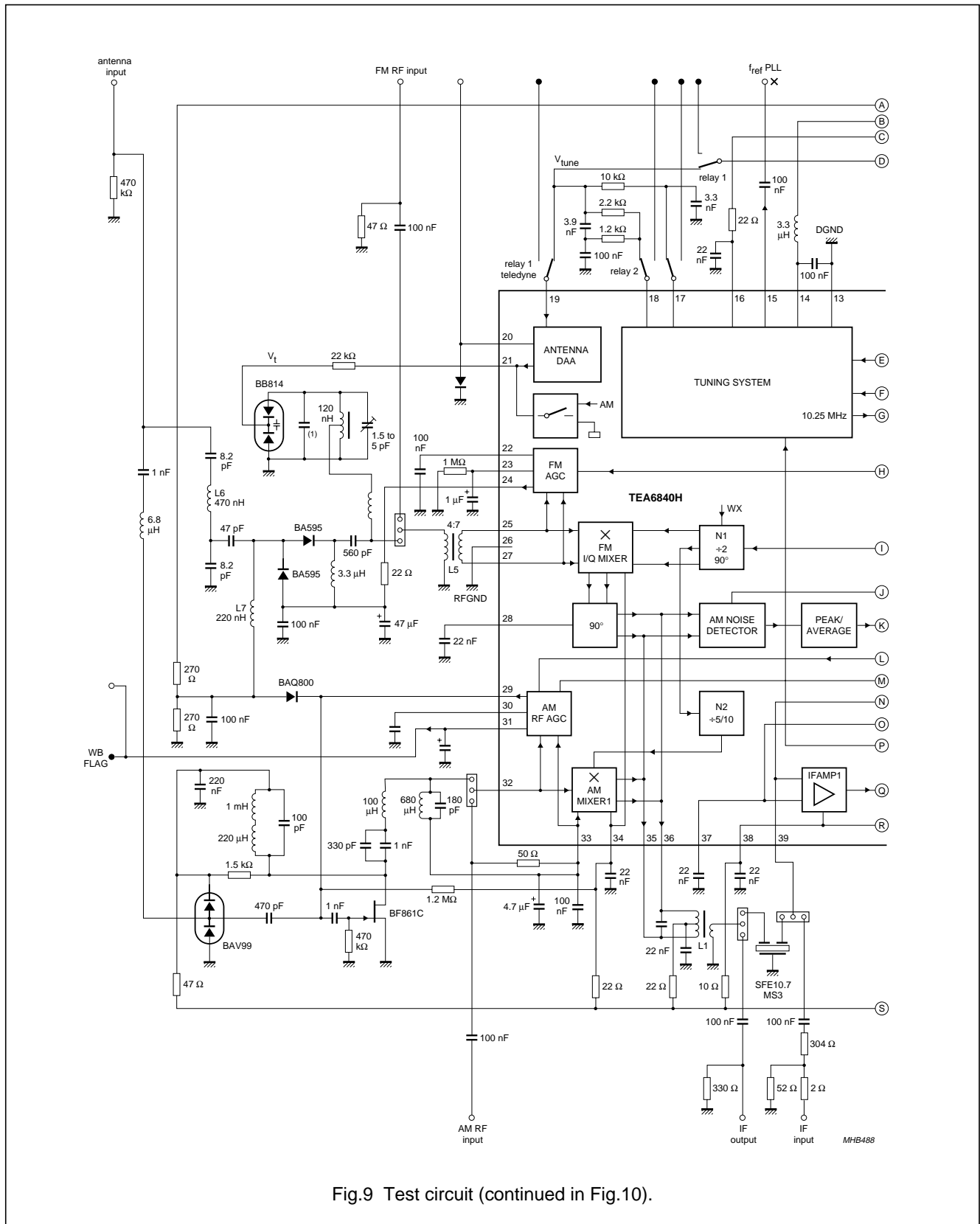
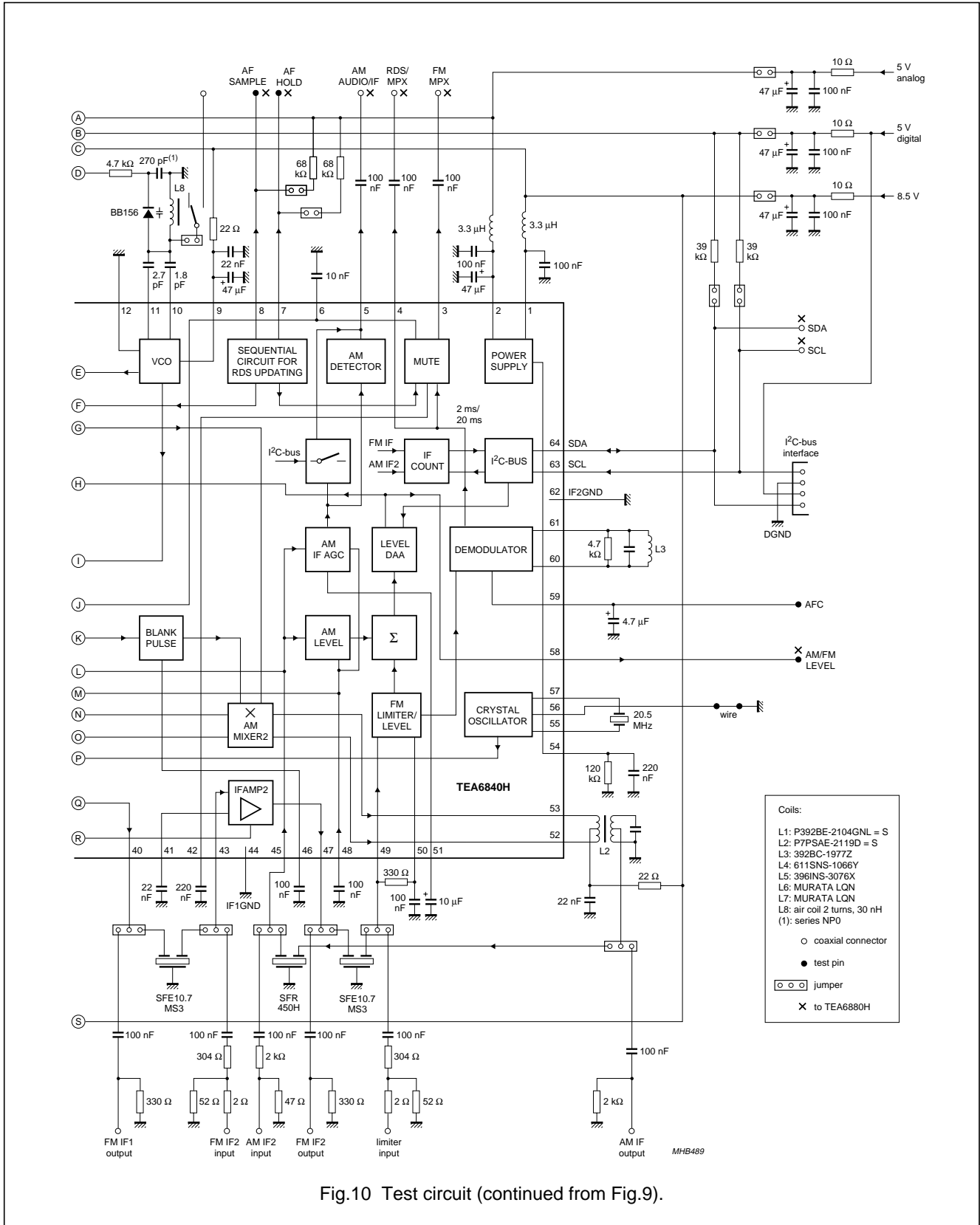


Fig.9 Test circuit (continued in Fig.10).

New In Car Entertainment (NICE) car radio

TEA6840H



New In Car Entertainment (NICE) car radio

TEA6840H

Table 25 DC operating points

SYMBOL	PIN	UNLOADED DC VOLTAGE (V)					
		AM MODE			FM MODE		
		MIN.	TYP.	MAX.	MIN.	TYP.	MAX.
V _{DDA1}	1	external 8.5			external 8.5		
V _{DDA2}	2	external 5			external 5		
FMMPX	3	floating			3	3.5	4
RDSMPX	4	floating			2.6	3.1	3.3
AMAFIF2	5	4	4.3	4.6	floating		
TRDSMUTE	6	1.9	2.2	2.5	0.7 (muted)	1.2 (muted)	1.7 (muted)
					5.2 (not muted)	5.7 (not muted)	6.2 (not muted)
AFHOLD	7	open-collector			open-collector		
AFSAMPLE	8	0	0.2	0.5	0	0.2	0.5
V _{DDA3}	9	external 8.5			external 8.5		
OSCTNK	10	5	6.1	7.2	5	6.1	7.2
OSCFDB	11	2.2	2.8	3.4	2.2	2.8	3.4
VCOGND	12	external 0			external 0		
DGND	13	external 0			external 0		
V _{DDD}	14	external 5			external 5		
f _{ref}	15	3.2	3.4	3.7	3.2	3.4	3.7
V _{DDA4}	16	external 8.5			external 8.5		
CPOUT	17	0	–	8.5	0	–	8.5
V _{tune}	18	0	–	8.5	0	–	8.5
DAAIN	19	0	–	8.5	0	–	8.5
DAATD	20	floating			0.2	–	1.5
DAAOUT	21	–	0.2	0.3	0.2	–	8.25
T1FMAGC	22	floating			1	–	7
T2FMAGC	23	7.5	8	8.3	3.9	4.6	5.3
IFMAGC	24	floating			1.5 (external biasing)	–	4 (external biasing)
FMMIXIN1	25	1	1.3	1.6	2.3	2.8	3.3
RFGND	26	external 0			external 0		
FMMIXIN2	27	1	1.3	1.6	2.3	2.8	3.3
V _{ref(FMMIX)}	28	2.7	3.1	3.4	6.5	7.1	7.9
IAMAGC	29	open-collector			open-collector		
T2AMAGC	30	2.5	2.8	3.1	floating		
T1AMAGC	31	0	2.8	4.6	0 (no WX)	0.3 (no WX)	0.5 (no WX)
AMMIX1IN1	32	2.3	2.75	3.1	floating		
AMMIX1IN2	33	2.3	2.75	3.1	floating		
V _{DDA5}	34	external 8.5			external 8.5		
MIX1OUT1	35	external 8.5			external 8.5		

New In Car Entertainment (NICE) car radio

TEA6840H

SYMBOL	PIN	UNLOADED DC VOLTAGE (V)					
		AM MODE			FM MODE		
		MIN.	TYP.	MAX.	MIN.	TYP.	MAX.
MIX1OUT2	36	external 8.5			external 8.5		
IFAMP1DEC	37	2.4	2.7	3	2.3	2.7	3.1
V _{DDA6}	38	external 8.5			external 8.5		
IFAMP1IN	39	2.4	2.7	3	2.3	2.7	3.1
IFAMP1OUT	40	7.2	7.9	–	3.6	4	4.4
IFAMP2DEC	41	3	4	5	2.7	3.1	3.5
C _{offset}	42	floating			3	3.5	4
IFAMP2IN	43	3	4	5	2.7	3.1	3.5
IF1GND	44	external 0			external 0		
AMIF2IN	45	2.4	2.7	3.2	floating		
AMNBHOLD	46	4.3	4.6	5.1	8	8.4	–
IFAMP2OUT	47	7.2	7.9	–	3.4	3.9	4.4
AMIF2DEC	48	2.4	2.7	3.2	floating		
FMLIMIN	49	2.5	3	3.5	2.5	2.8	3.1
FMLIMDEC	50	2.5	3	3.5	2.5	2.8	3.1
C _{AGC}	51	3.6	4.3	4.8	4.1	4.6	5.1
AMMIX2OUT1	52	external 8.5			external 8.5		
AMMIX2OUT2	53	external 8.5			external 8.5		
I _{ref}	54	4	4.25	4.5	4	4.25	4.5
XTAL1	55	1.7	2.1	2.5	1.7	2.1	2.5
XTALGND	56	external 0			external 0		
XTAL2	57	1.7	2.1	2.5	1.7	2.1	2.5
V _{level}	58	0.05	–	7	0	–	7
C _{AFC}	59	floating			1.2	3.4	4.1
QDET1	60	floating			3.6	4.1	4.6
QDET2	61	floating			3.6	4.1	4.6
IF2GND	62	external 0			external 0		
SCL	63	4.8	5	5.2	4.8	5	5.2
SDA	64	4.8	5	5.2	4.8	5	5.2

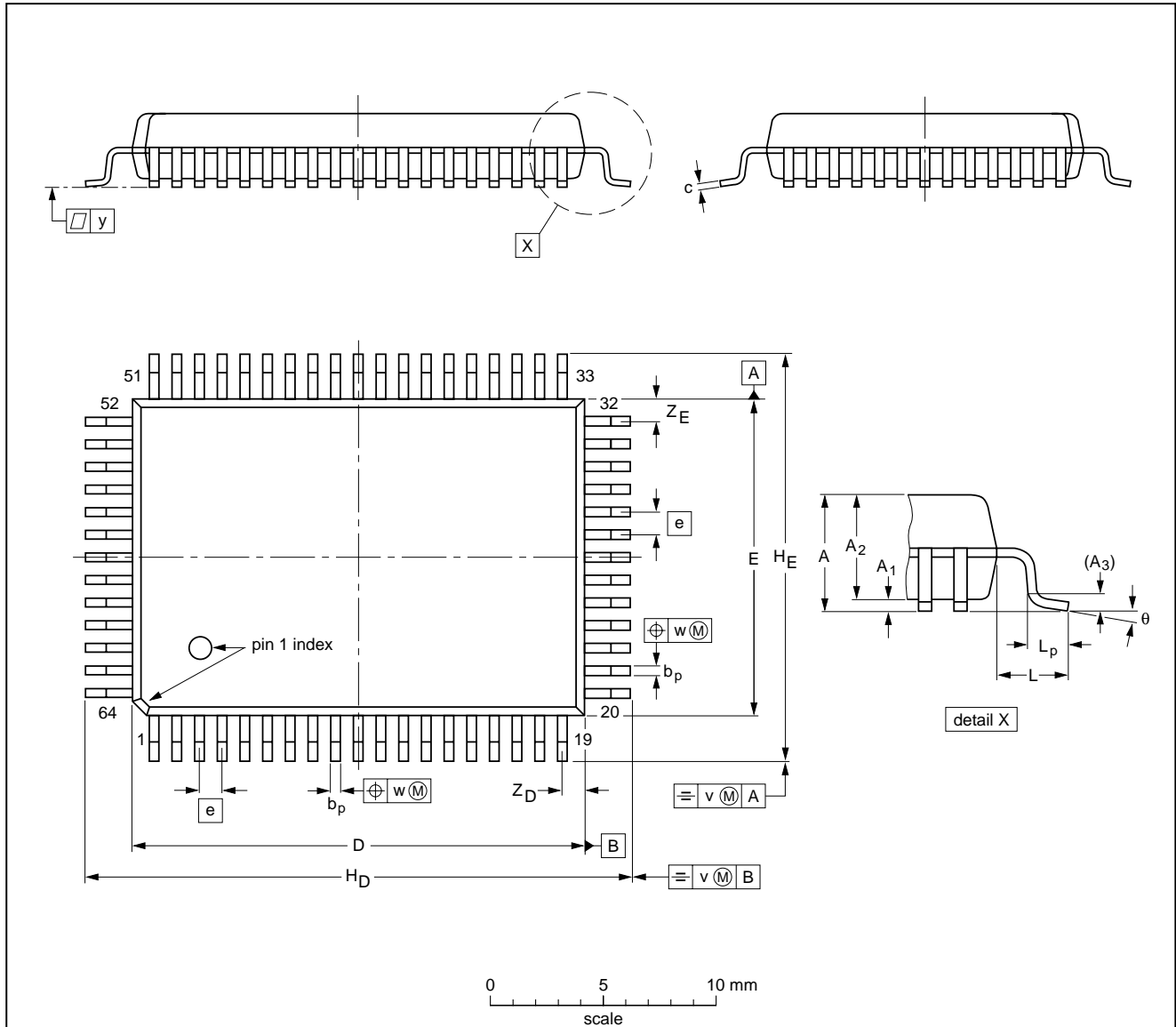
New In Car Entertainment (NICE) car radio

TEA6840H

14 PACKAGE OUTLINE

QFP64: plastic quad flat package; 64 leads (lead length 1.95 mm); body 14 x 20 x 2.8 mm

SOT319-2



DIMENSIONS (mm are the original dimensions)

UNIT	A _{max.}	A ₁	A ₂	A ₃	b _p	c	D ⁽¹⁾	E ⁽¹⁾	e	H _D	H _E	L	L _p	v	w	y	Z _D ⁽¹⁾	Z _E ⁽¹⁾	θ
mm	3.20	0.25 0.05	2.90 2.65	0.25	0.50 0.35	0.25 0.14	20.1 19.9	14.1 13.9	1	24.2 23.6	18.2 17.6	1.95	1.0 0.6	0.2	0.2	0.1	1.2 0.8	1.2 0.8	7° 0°

Note

1. Plastic or metal protrusions of 0.25 mm maximum per side are not included.

OUTLINE VERSION	REFERENCES				EUROPEAN PROJECTION	ISSUE DATE
	IEC	JEDEC	EIAJ			
SOT319-2		MO-112				97-08-01 99-12-27

New In Car Entertainment (NICE) car radio

TEA6840H

15 SOLDERING

15.1 Introduction to soldering surface mount packages

This text gives a very brief insight to a complex technology. A more in-depth account of soldering ICs can be found in our *"Data Handbook IC26; Integrated Circuit Packages"* (document order number 9398 652 90011).

There is no soldering method that is ideal for all surface mount IC packages. Wave soldering can still be used for certain surface mount ICs, but it is not suitable for fine pitch SMDs. In these situations reflow soldering is recommended.

15.2 Reflow soldering

Reflow soldering requires solder paste (a suspension of fine solder particles, flux and binding agent) to be applied to the printed-circuit board by screen printing, stencilling or pressure-syringe dispensing before package placement.

Several methods exist for reflowing; for example, convection or convection/infrared heating in a conveyor type oven. Throughput times (preheating, soldering and cooling) vary between 100 and 200 seconds depending on heating method.

Typical reflow peak temperatures range from 215 to 250 °C. The top-surface temperature of the packages should preferably be kept below 220 °C for thick/large packages, and below 235 °C for small/thin packages.

15.3 Wave soldering

Conventional single wave soldering is not recommended for surface mount devices (SMDs) or printed-circuit boards with a high component density, as solder bridging and non-wetting can present major problems.

To overcome these problems the double-wave soldering method was specifically developed.

If wave soldering is used the following conditions must be observed for optimal results:

- Use a double-wave soldering method comprising a turbulent wave with high upward pressure followed by a smooth laminar wave.
- For packages with leads on two sides and a pitch (e):
 - larger than or equal to 1.27 mm, the footprint longitudinal axis is **preferred** to be parallel to the transport direction of the printed-circuit board;
 - smaller than 1.27 mm, the footprint longitudinal axis **must** be parallel to the transport direction of the printed-circuit board.

The footprint must incorporate solder thieves at the downstream end.

- For packages with leads on four sides, the footprint must be placed at a 45° angle to the transport direction of the printed-circuit board. The footprint must incorporate solder thieves downstream and at the side corners.

During placement and before soldering, the package must be fixed with a droplet of adhesive. The adhesive can be applied by screen printing, pin transfer or syringe dispensing. The package can be soldered after the adhesive is cured.

Typical dwell time is 4 seconds at 250 °C.

A mildly-activated flux will eliminate the need for removal of corrosive residues in most applications.

15.4 Manual soldering

Fix the component by first soldering two diagonally-opposite end leads. Use a low voltage (24 V or less) soldering iron applied to the flat part of the lead. Contact time must be limited to 10 seconds at up to 300 °C.

When using a dedicated tool, all other leads can be soldered in one operation within 2 to 5 seconds between 270 and 320 °C.

New In Car Entertainment (NICE) car radio

TEA6840H

15.5 Suitability of surface mount IC packages for wave and reflow soldering methods

PACKAGE	SOLDERING METHOD	
	WAVE	REFLOW ⁽¹⁾
BGA, LFBGA, SQFP, TFBGA	not suitable	suitable
HBCC, HLQFP, HSQFP, HSOP, HTQFP, HTSSOP, SMS	not suitable ⁽²⁾	suitable
PLCC ⁽³⁾ , SO, SOJ	suitable	suitable
LQFP, QFP, TQFP	not recommended ⁽³⁾⁽⁴⁾	suitable
SSOP, TSSOP, VSO	not recommended ⁽⁵⁾	suitable

Notes

1. All surface mount (SMD) packages are moisture sensitive. Depending upon the moisture content, the maximum temperature (with respect to time) and body size of the package, there is a risk that internal or external package cracks may occur due to vaporization of the moisture in them (the so called popcorn effect). For details, refer to the Drypack information in the *"Data Handbook IC26; Integrated Circuit Packages; Section: Packing Methods"*.
2. These packages are not suitable for wave soldering as a solder joint between the printed-circuit board and heatsink (at bottom version) can not be achieved, and as solder may stick to the heatsink (on top version).
3. If wave soldering is considered, then the package must be placed at a 45° angle to the solder wave direction. The package footprint must incorporate solder thieves downstream and at the side corners.
4. Wave soldering is only suitable for LQFP, TQFP and QFP packages with a pitch (e) equal to or larger than 0.8 mm; it is definitely not suitable for packages with a pitch (e) equal to or smaller than 0.65 mm.
5. Wave soldering is only suitable for SSOP and TSSOP packages with a pitch (e) equal to or larger than 0.65 mm; it is definitely not suitable for packages with a pitch (e) equal to or smaller than 0.5 mm.

New In Car Entertainment (NICE) car radio

TEA6840H

16 DATA SHEET STATUS

DATA SHEET STATUS	PRODUCT STATUS	DEFINITIONS ⁽¹⁾
Objective specification	Development	This data sheet contains the design target or goal specifications for product development. Specification may change in any manner without notice.
Preliminary specification	Qualification	This data sheet contains preliminary data, and supplementary data will be published at a later date. Philips Semiconductors reserves the right to make changes at any time without notice in order to improve design and supply the best possible product.
Product specification	Production	This data sheet contains final specifications. Philips Semiconductors reserves the right to make changes at any time without notice in order to improve design and supply the best possible product.

Note

1. Please consult the most recently issued data sheet before initiating or completing a design.

17 DEFINITIONS

Short-form specification — The data in a short-form specification is extracted from a full data sheet with the same type number and title. For detailed information see the relevant data sheet or data handbook.

Limiting values definition — Limiting values given are in accordance with the Absolute Maximum Rating System (IEC 60134). Stress above one or more of the limiting values may cause permanent damage to the device. These are stress ratings only and operation of the device at these or at any other conditions above those given in the Characteristics sections of the specification is not implied. Exposure to limiting values for extended periods may affect device reliability.

Application information — Applications that are described herein for any of these products are for illustrative purposes only. Philips Semiconductors make no representation or warranty that such applications will be suitable for the specified use without further testing or modification.

18 DISCLAIMERS

Life support applications — These products are not designed for use in life support appliances, devices, or systems where malfunction of these products can reasonably be expected to result in personal injury. Philips Semiconductors customers using or selling these products for use in such applications do so at their own risk and agree to fully indemnify Philips Semiconductors for any damages resulting from such application.

Right to make changes — Philips Semiconductors reserves the right to make changes, without notice, in the products, including circuits, standard cells, and/or software, described or contained herein in order to improve design and/or performance. Philips Semiconductors assumes no responsibility or liability for the use of any of these products, conveys no licence or title under any patent, copyright, or mask work right to these products, and makes no representations or warranties that these products are free from patent, copyright, or mask work right infringement, unless otherwise specified.

19 PURCHASE OF PHILIPS I²C COMPONENTS

Purchase of Philips I²C components conveys a license under the Philips' I²C patent to use the components in the I²C system provided the system conforms to the I²C specification defined by Philips. This specification can be ordered using the code 9398 393 40011.

Philips Semiconductors – a worldwide company

Argentina: see South America

Australia: 3 Figtree Drive, HOMEBUSH, NSW 2140,
Tel. +61 2 9704 8141, Fax. +61 2 9704 8139

Austria: Computerstr. 6, A-1101 WIEN, P.O. Box 213,
Tel. +43 1 60 101 1248, Fax. +43 1 60 101 1210

Belarus: Hotel Minsk Business Center, Bld. 3, r. 1211, Volodarski Str. 6,
220050 MINSK, Tel. +375 172 20 0733, Fax. +375 172 20 0773

Belgium: see The Netherlands

Brazil: see South America

Bulgaria: Philips Bulgaria Ltd., Energoproject, 15th floor,
51 James Bourchier Blvd., 1407 SOFIA,
Tel. +359 2 68 9211, Fax. +359 2 68 9102

Canada: PHILIPS SEMICONDUCTORS/COMPONENTS,
Tel. +1 800 234 7381, Fax. +1 800 943 0087

China/Hong Kong: 501 Hong Kong Industrial Technology Centre,
72 Tat Chee Avenue, Kowloon Tong, HONG KONG,
Tel. +852 2319 7888, Fax. +852 2319 7700

Colombia: see South America

Czech Republic: see Austria

Denmark: Sydhavnsgade 23, 1780 COPENHAGEN V,
Tel. +45 33 29 3333, Fax. +45 33 29 3905

Finland: Sinikalliontie 3, FIN-02630 ESPOO,
Tel. +358 9 615 800, Fax. +358 9 6158 0920

France: 7 - 9 Rue du Mont Valérien, BP317, 92156 SURESNES Cedex,
Tel. +33 1 4728 6600, Fax. +33 1 4728 6638

Germany: Hammerbrookstraße 69, D-20097 HAMBURG,
Tel. +49 40 2353 60, Fax. +49 40 2353 6300

Hungary: Philips Hungary Ltd., H-1119 Budapest, Fehervari ut 84/A,
Tel: +36 1 382 1700, Fax: +36 1 382 1800

India: Philips INDIA Ltd, Band Box Building, 2nd floor,
254-D, Dr. Annie Besant Road, Worli, MUMBAI 400 025,
Tel. +91 22 493 8541, Fax. +91 22 493 0966

Indonesia: PT Philips Development Corporation, Semiconductors Division,
Gedung Philips, Jl. Buncit Raya Kav.99-100, JAKARTA 12510,
Tel. +62 21 794 0040 ext. 2501, Fax. +62 21 794 0080

Ireland: Newstead, Clonskeagh, DUBLIN 14,
Tel. +353 1 7640 000, Fax. +353 1 7640 200

Israel: RAPAC Electronics, 7 Kehilat Saloniki St, PO Box 18053,
TEL AVIV 61180, Tel. +972 3 645 0444, Fax. +972 3 649 1007

Italy: PHILIPS SEMICONDUCTORS, Via Casati, 23 - 20052 MONZA (MI),
Tel. +39 039 203 6838, Fax +39 039 203 6800

Japan: Philips Bldg 13-37, Kohnan 2-chome, Minato-ku,
TOKYO 108-8507, Tel. +81 3 3740 5130, Fax. +81 3 3740 5057

Korea: Philips House, 260-199 Itaewon-dong, Yongsan-ku, SEOUL,
Tel. +82 2 709 1412, Fax. +82 2 709 1415

Malaysia: No. 76 Jalan Universiti, 46200 PETALING JAYA, SELANGOR,
Tel. +60 3 750 5214, Fax. +60 3 757 4880

Mexico: 5900 Gateway East, Suite 200, EL PASO, TEXAS 79905,
Tel. +9-5 800 234 7381, Fax +9-5 800 943 0087

Middle East: see Italy

Netherlands: Postbus 90050, 5600 PB EINDHOVEN, Bldg. VB,
Tel. +31 40 27 82785, Fax. +31 40 27 88399

New Zealand: 2 Wagener Place, C.P.O. Box 1041, AUCKLAND,
Tel. +64 9 849 4160, Fax. +64 9 849 7811

Norway: Box 1, Manglerud 0612, OSLO,
Tel. +47 22 74 8000, Fax. +47 22 74 8341

Pakistan: see Singapore

Philippines: Philips Semiconductors Philippines Inc.,
106 Valero St. Salcedo Village, P.O. Box 2108 MCC, MAKATI,
Metro MANILA, Tel. +63 2 816 6380, Fax. +63 2 817 3474

Poland: Al.Jerozolimskie 195 B, 02-222 WARSAW,
Tel. +48 22 5710 000, Fax. +48 22 5710 001

Portugal: see Spain

Romania: see Italy

Russia: Philips Russia, Ul. Usatcheva 35A, 119048 MOSCOW,
Tel. +7 095 755 6918, Fax. +7 095 755 6919

Singapore: Lorong 1, Toa Payoh, SINGAPORE 319762,
Tel. +65 350 2538, Fax. +65 251 6500

Slovakia: see Austria

Slovenia: see Italy

South Africa: S.A. PHILIPS Pty Ltd., 195-215 Main Road Martindale,
2092 JOHANNESBURG, P.O. Box 58088 Newville 2114,
Tel. +27 11 471 5401, Fax. +27 11 471 5398

South America: Al. Vicente Pinzon, 173, 6th floor,
04547-130 SÃO PAULO, SP, Brazil,
Tel. +55 11 821 2333, Fax. +55 11 821 2382

Spain: Balmes 22, 08007 BARCELONA,
Tel. +34 93 301 6312, Fax. +34 93 301 4107

Sweden: Kottbygatan 7, Akalla, S-16485 STOCKHOLM,
Tel. +46 8 5985 2000, Fax. +46 8 5985 2745

Switzerland: Allmendstrasse 140, CH-8027 ZÜRICH,
Tel. +41 1 488 2741 Fax. +41 1 488 3263

Taiwan: Philips Semiconductors, 5F, No. 96, Chien Kuo N. Rd., Sec. 1,
TAIPEI, Taiwan Tel. +886 2 2134 2451, Fax. +886 2 2134 2874

Thailand: PHILIPS ELECTRONICS (THAILAND) Ltd.,
60/14 MOO 11, Bangna Trad Road KM. 3, Bagna, BANGKOK 10260,
Tel. +66 2 361 7910, Fax. +66 2 398 3447

Turkey: Yukari Dudullu, Org. San. Blg., 2.Cad. Nr. 28 81260 Umraniye,
ISTANBUL, Tel. +90 216 522 1500, Fax. +90 216 522 1813

Ukraine: PHILIPS UKRAINE, 4 Patrice Lumumba str., Building B, Floor 7,
252042 KIEV, Tel. +380 44 264 2776, Fax. +380 44 268 0461

United Kingdom: Philips Semiconductors Ltd., 276 Bath Road, Hayes,
MIDDLESEX UB3 5BX, Tel. +44 208 730 5000, Fax. +44 208 754 8421

United States: 811 East Arques Avenue, SUNNYVALE, CA 94088-3409,
Tel. +1 800 234 7381, Fax. +1 800 943 0087

Uruguay: see South America

Vietnam: see Singapore

Yugoslavia: PHILIPS, Trg N. Pasica 5/v, 11000 BEOGRAD,
Tel. +381 11 3341 299, Fax.+381 11 3342 553

For all other countries apply to: Philips Semiconductors,
Marketing Communications, Building BE-p, P.O. Box 218, 5600 MD EINDHOVEN,
The Netherlands, Fax. +31 40 27 24825

Internet: <http://www.semiconductors.philips.com>

© Philips Electronics N.V. 2001

SCA 72

All rights are reserved. Reproduction in whole or in part is prohibited without the prior written consent of the copyright owner.

The information presented in this document does not form part of any quotation or contract, is believed to be accurate and reliable and may be changed without notice. No liability will be accepted by the publisher for any consequence of its use. Publication thereof does not convey nor imply any license under patent- or other industrial or intellectual property rights.

Printed in The Netherlands

753503/02/pp44

Date of release: 2001 Mar 08

Document order number: 9397 750 07618

Let's make things better.

Philips
Semiconductors



PHILIPS