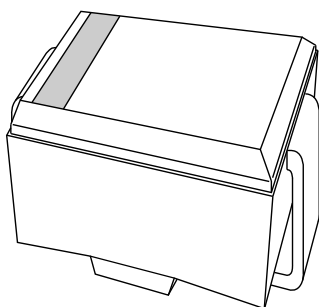


# DATA SHEET



## **BYG90-90** Schottky barrier rectifier diode

Product specification  
Supersedes data of December 1994  
File under Discrete Semiconductors, SC01

1996 May 13

## Schottky barrier rectifier diode

## BYG90-90

## FEATURES

- Low switching losses
- High breakdown voltage
- Capability of absorbing very high surge current
- Fast recovery time
- Guard ring protected
- Plastic SMD package.

## APPLICATIONS

- Low power switched-mode power supplies
- Rectifying
- Polarity protection.

## DESCRIPTION

The BYG 90-90 is a Schottky barrier rectifier diode, fabricated in planar technology, and encapsulated in the rectangular SOD106A plastic SMD package.

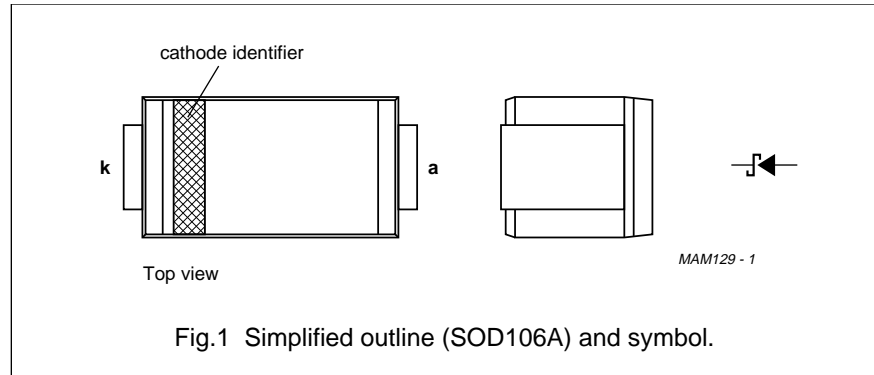


Fig.1 Simplified outline (SOD106A) and symbol.

## LIMITING VALUES

In accordance with the Absolute Maximum Rating System (IEC 134).

SYMBOL	PARAMETER	CONDITIONS	MIN.	MAX.	UNIT
$V_R$	continuous reverse voltage			90	V
$V_{RRM}$	repetitive peak reverse voltage			90	V
$V_{RWM}$	crest working reverse voltage			90	V
$I_{F(AV)}$	average forward current	$T_{amb} = 100\text{ }^\circ\text{C}$ ; see Fig.2; $R_{th\ j-a} = 13.5\text{ K/W}$ ; note 1; $V_{R(equiv)} = 0.2\text{ V}$ ; note 2	–	1	A
$I_{FSM}$	non-repetitive peak forward current	$t = 8.3\text{ ms}$ half sine wave; JEDEC method	–	30	A
$I_{RSM}$	non-repetitive peak reverse current	$t_p = 100\text{ }\mu\text{s}$	–	0.5	A
$T_{stg}$	storage temperature		–65	+150	$^\circ\text{C}$
$T_j$	junction temperature		–	150	$^\circ\text{C}$

## Notes

1. Refer to SOD106A standard mounting conditions.
2. For Schottky barrier diodes thermal run-away has to be considered, as in some applications, the reverse power losses  $P_R$  are a significant part of the total power losses. Nomograms for determination of the reverse power losses  $P_R$  and  $I_{F(AV)}$  rating will be available on request.

## Schottky barrier rectifier diode

BYG90-90

**ELECTRICAL CHARACTERISTICS** $T_{amb} = 25\text{ °C}$ ; unless otherwise specified.

SYMBOL	PARAMETER	CONDITIONS	MIN.	TYP.	MAX.	UNIT
$V_F$	forward voltage	see Fig.2; note 1				
		$I_F = 0.06\text{ A}$	–	–	360	mV
		$I_F = 1\text{ A}$	–	–	790	mV
		$I_F = 1\text{ A}; T_j = 100\text{ °C}$	–	–	690	mV
$I_R$	reverse current	$V_R = V_{RRMmax}$ ; note 1; see Fig.3	–	–	0.5	mA
		$V_R = V_{RRMmax}; T_j = 100\text{ °C}$ ; note 1; see Fig.3	–	–	5	mA
$C_d$	diode capacitance	$V_R = 4\text{ V}; f = 1\text{ MHz}$ ; see Fig.4	–	–	100	pF

**Note**

1. Pulsed test:  $t_p = 300\text{ }\mu\text{s}$ ;  $\delta = 0.02$ .

**THERMAL CHARACTERISTICS**

SYMBOL	PARAMETER	CONDITIONS	VALUE	UNIT
$R_{th\ j-a}$	thermal resistance from junction to ambient	note 1	80	K/W

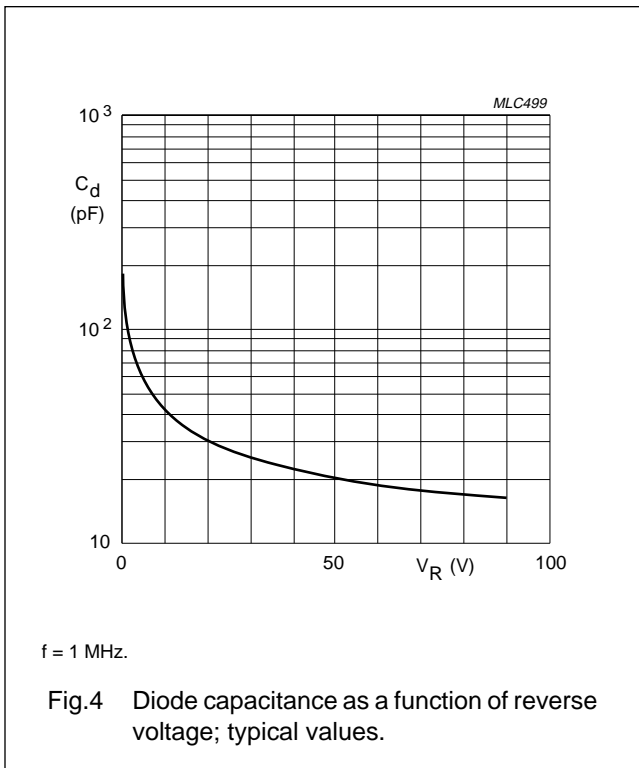
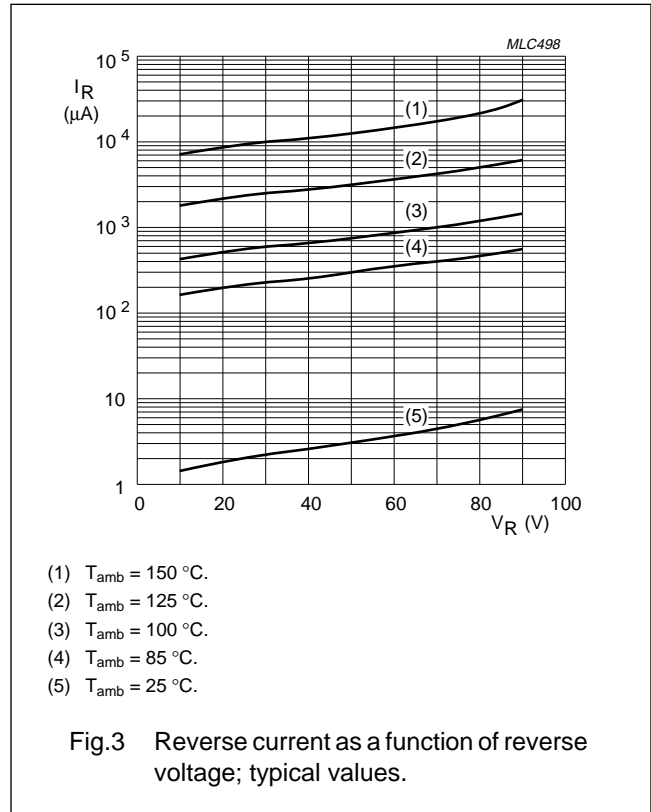
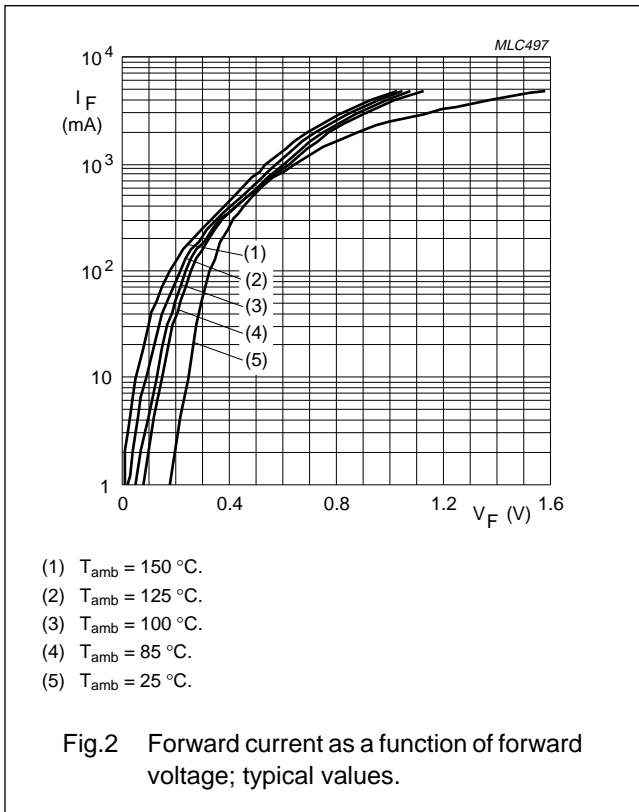
**Note**

1. Refer to SOD106A standard mounting conditions.

Schottky barrier rectifier diode

BYG90-90

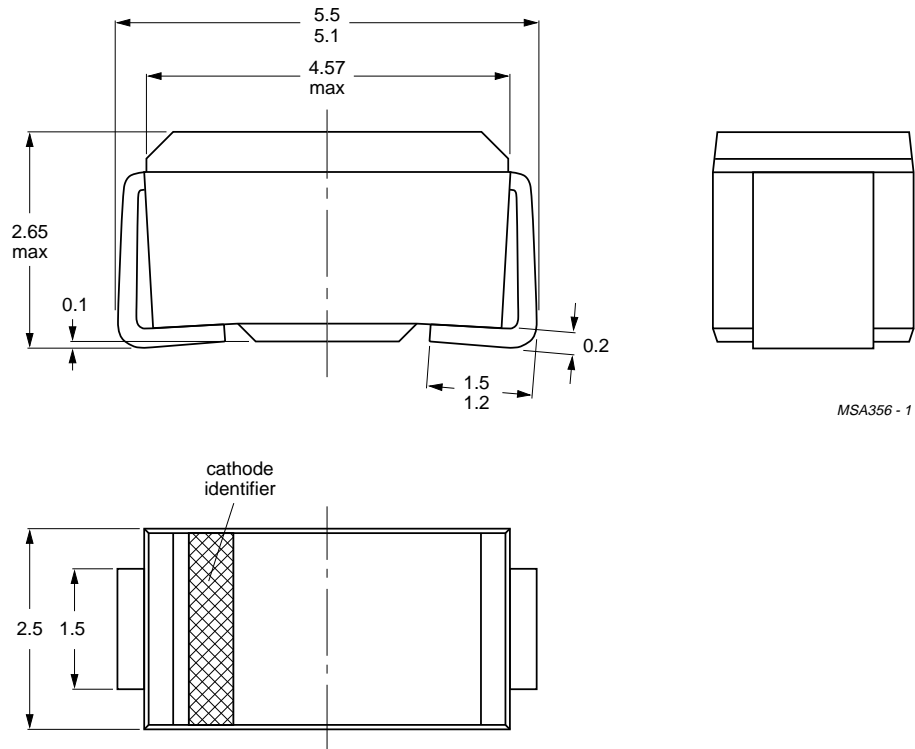
GRAPHICAL DATA



Schottky barrier rectifier diode

BYG90-90

PACKAGE OUTLINE



Dimensions in mm.  
The marking bar indicates the cathode.

Fig.5 SOD106A.

## Schottky barrier rectifier diode

BYG90-90

**DEFINITIONS**

<b>Data sheet status</b>	
Objective specification	This data sheet contains target or goal specifications for product development.
Preliminary specification	This data sheet contains preliminary data; supplementary data may be published later.
Product specification	This data sheet contains final product specifications.
<b>Limiting values</b>	
Limiting values given are in accordance with the Absolute Maximum Rating System (IEC 134). Stress above one or more of the limiting values may cause permanent damage to the device. These are stress ratings only and operation of the device at these or at any other conditions above those given in the Characteristics sections of the specification is not implied. Exposure to limiting values for extended periods may affect device reliability.	
<b>Application information</b>	
Where application information is given, it is advisory and does not form part of the specification.	

**LIFE SUPPORT APPLICATIONS**

These products are not designed for use in life support appliances, devices, or systems where malfunction of these products can reasonably be expected to result in personal injury. Philips customers using or selling these products for use in such applications do so at their own risk and agree to fully indemnify Philips for any damages resulting from such improper use or sale.